

# Square Canopy Light: Arcy-Line

## 10% Up-Light Optics Standard



WATT	LUMENS
30	4,200
45	6,300
60	8,400
70	10,150
80	11,600
90	13,050

LUMENS BASED OFF  
4000K, 30K & 50K. +/- 5%

### Detail Specifications:

- Finish: White or Bronze
- IP Rating: Wet Location (IP65)
- Beam Angle: 150°
- Chip: SMD 2835, R9 >50, CRI >80
- Operating Temperature: -4° - 124° F
- Lens: Clear Ribbed Acrylic
- BUG Rating: B2-U3-G3
- Average life (L70) of 50,000 hours

### Applications:

- Utility & Storage
- Garage & Parking Structures
- Dock and loading
- Soffits
- Outdoor corridor
- Commercial and Industrial

### Product Information:

- Sturdy di-cast aluminum housing finished with corrosion free powder coat
- Five 1/2" knockouts: 1 one each side for convenient installation
- Select-n-Switch Technology: 3-CCT + 3-Power Selectable
- 10% up-light standard

### Driver Options:

- UNV: 120-277V 0-10V Dimmable
- THD: <20% (+/-5% tolerance), PF >0.9, 50/60Hz
- Isolated Driver
- Flicker Free

### Mounting & Installation:

- 30 or 40 J-Box Surface Mount
- 3/4" Pendant Mount

### Certifications:

- UL Listed for USA and CA
- DLC Premium Listed
- Approved for CA T24
- 5 Year Limited Warranty
- FCC CFR 47, GCC Part 15, Subpart B:2017

Series	Wattage	Color Temp	Finish	Emergency
<b>LED-SQUC-</b> Arcy-Line Canopy	<b>3P60</b> 30/45/60W <b>3P90</b> 70/80/90W	<b>- TRI -</b> 30/40 50K	<b>BZ</b> Bronze <b>WH</b> White	<b>-</b> <b>(Blank)</b> No Emergency <b>EMB</b> 90 min. Emergency Backup

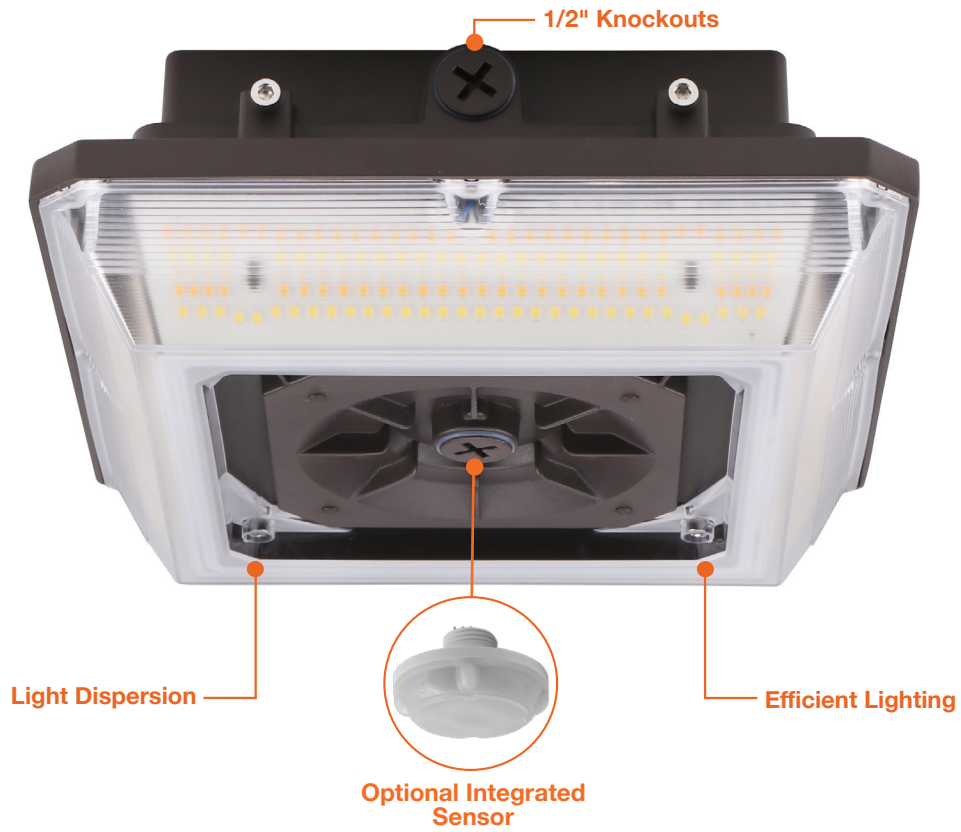
### Optional Accessories (Order Separately)

Sensors	Remote for Sensors
<b>HB01DMS-A</b> Bi-Level Motion + Daylight Sensor	<b>HB03R</b> HB01DMS Remote

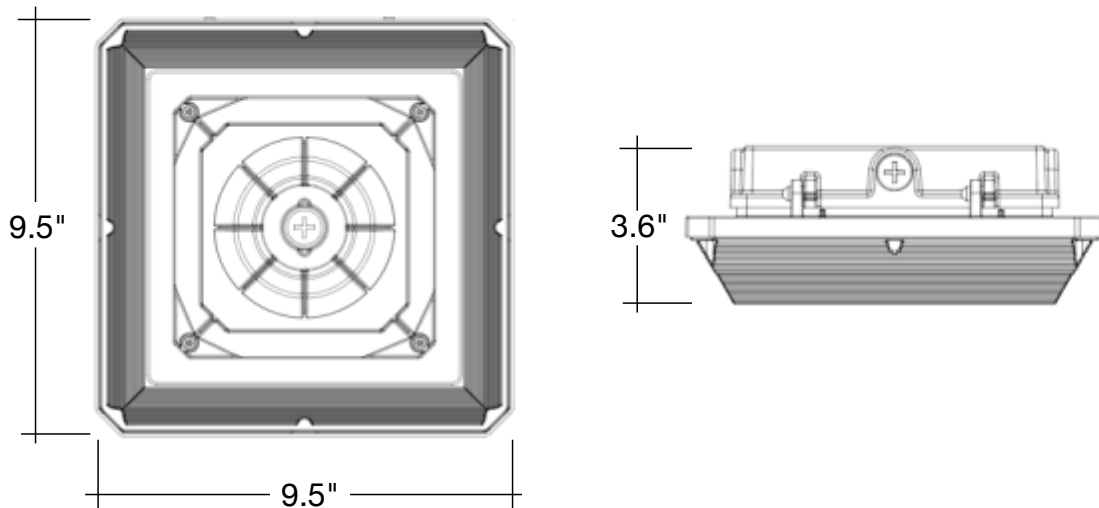
# Square Canopy Light: Arcy-Line

10% Up-Light Optics Standard

## FEATURES



## DIMENSIONS



# Square Canopy Light: Arcy-Line

## 10% Up-Light Optics Standard



**HB03R**



**HB01DMS-A**

### CANOPY

Model	Voltage	Watts	Lumens	Color	CRI
LED-SQUC-3P60-TRI-BZ	120/277V	30/45/60w	145 lm/w	30/40/50k	>80
LED-SQUC-3P60-TRI-WH	120/277V	30/45/60w	145 lm/w	30/40/50k	>80
LED-SQUC-3P90-TRI-BZ	120/277V	70/80/90w	145 lm/w	30/40/50k	>80
LED-SQUC-3P90-TRI-WH	120/277V	70/80/90w	145 lm/w	30/40/50k	>80

### REMOTE CONTROL

Accessory Model	Description
HB03R	Remote for HB-Line Series

### SENSOR

Accessory Model	Description
HB01DMS-A	A Default Setting • Brightness: 100% Hold Time: 1Min. • Stand-By Dimming Level: 20% • Stand-By Time: 1 Min. Sensitivity: 100% • Daylight: Disable