

INSTALLATION INSTRUCTIONS FOR LED 5-CCT STEP LIGHTS

LED-STEP-SC-3W-5CCT-HZ-ALM-BL-LV • LED-STEP-SC-3W-5CCT-HZ-ALM-WH-LV • LED-STEP-SC-3W-5CCT-HZ-ALM-BZ-LV

GENERAL

All electrical connections must be in accordance with local and National Electrical Code (N.E.C.) standards. If you are unfamiliar with proper electrical wiring connections, contact and obtain the services of a qualified electrician. Use UL or IEC approved wire only for input/output connections.

Remove fixture and mounting components from the box, and make sure that no parts are missing, by referencing the illustration in the illustration instructions.

DIMMING: This product is compatible with most common residential type dimmers. Dimming performance will depend upon dimmer, dimmer settings (dimmers with adjustments to brightness range), wiring method, and number of LED modules. For best results, set dimmer position at maximum before adjusting to a lower light level.



PLEASE READ AND UNDERSTAND THIS ENTIRE MANUAL BEFORE ATTEMPTING TO ASSEMBLE, OPERATE OR INSTALL THE PRODUCT.

Warning:

Turn power off before installation, inspection, or removal. Use all necessary precautions while performing this procedure. Consult a qualified electrician to ensure correct branch circuit conductor. Min 194°F supply conductors. Properly ground electrical enclosure. IT IS IMPERATIVE THAT THE OUTLET BOX BE PROPERLY GROUNDED. DO NOT REVERSE THE HOT AND NEUTRAL CONNECTIONS, OTHERWISE SAFETY WILL BE COMPROMISED. This Integrated LED Fixture has no lamp/bulb to replace. MAKE SURE THAT YOU SELECT RIGHT CCT BEFORE YOU PUT ON THE COVER, IT IS DIFFICULT TO OPEN THE FACE COVER ONCE YOU FIX IT. DON'T SUBMERGE THE LIGHT BODY INTO WATER INSTALL IT IN AREA WITH HIGH SALTY MOISTURE OR CORROSIVE ENVIRONMENT WILL LEAD TO FAST CORROSION SINCE IT IS NOT DESIGN FOR THIS PURPOSE



TROUBLESHOOTING

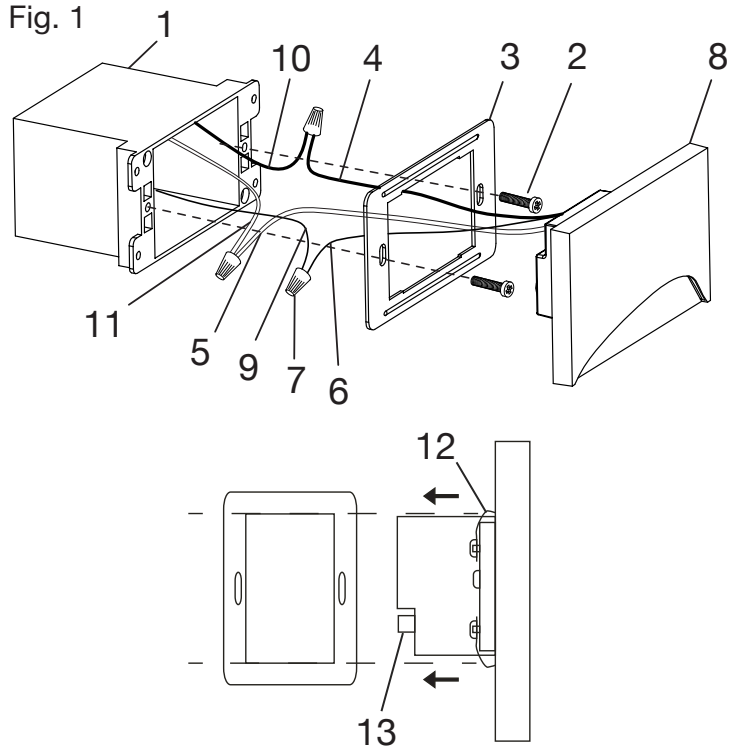
- Check that line voltage at fixture is correct.
- Ensure that there is voltage at lamp fixture wires. If there is no voltage, then check all connections.
- Check that fixture is grounded properly. If fixture does not light:
- Check switch to ensure that there are no defects.
- Check fuse/circuit breaker for trips, then check wiring connections.



CLEANING AND MAINTENANCE

- CAUTION:** Ensure fixture temperature is cool enough to touch. **DO NOT** clean or perform maintenance while fixture is energized.
- Clean lens and fixture with non-abrasive cleaning solution.
 - Do not open fixture to clean LED. Do not touch the LED
 - Do not spray liquid directly on to LED, LED driver or wiring.

Fig. 1



- | | |
|------------------------------|--|
| 1. OUTLET BOX (NOT INCLUDED) | 8. LIGHT BODY INTEGRATED WITH FACE COVER |
| 2. FIXTURE SCREWS | 9. HOUSE GROUND WIRE |
| 3. MOUNTING BRACKET | 10. LIVE WIRE |
| 4. BLACK FIXTURE WIRE | 11. NEUTRAL WIRE |
| 5. WHITE FIXTURE WIRE | 12. SPRING CLIP |
| 6. FIXTURE GROUND WIRE | 13. 5-CCT SWITCH |
| 7. WIRE NUTS | |

FOLLOW THESE STEPS FOR INSTALLATION

1. Fix the Mounting Bracket(3) to the OUTLET BOX (1) with attached FIXTURE SCREW (2)
2. Pull the supply wires out from the OUTLET BOX (1), Identify the live wire, neutral wire and ground wire if you have problem to figure it out, please consult a qualified electrician before you do wiring), then Connect the LIVE WIRE (10) with BLACK WIRE (4), NEUTRAL WIRE (11) with WHITE WIRE (5), and GROUND WIRE (9) with GROUND WIRE (6) with the WIRE NUTS (7) attached, Please make sure that all the wires are firm connection, then seal wire nuts with silicone to ensure a stable performance in long term.
3. Select the CCT from 2700K/3000K/3500K/4000K/5000K by pushing the toggle switch left or right.
WARNING: Check the CCT in this stage by turning on switch, once you confirm the light color, turn off switch. After installation, it may be a problem to remove the LIGHT BODY (8) to change CCT since the connection between LIGHT BODY (8) and MOUNTING BRACKET is firm, it may destroy the SPRING CLIP(12), eventually, you can't attach it to the MOUNTING BRACKET (3) again.
4. Check the MOUNTING BRACKET (3) is fixed flat on OUTLET BOX (1)'s surface, press the SPRING CLIP(12) evenly into the MOUNTING BRACKET (3) until all clips have a good connection with MOUNTING BRACKET (3)'s edge.
5. Installation Complete

For Outdoor application: caulk the connection area between face cover and wall with outdoor rated sealant for stable performance.

Application: can be installed indoor and outdoor, LED chip is coated with waterproof paint, CCT switch and LED driver are potted with heat dissipated compound, it can be fixed in different kind of outlet boxes, such as plastic, steel, aluminum or concrete, also is suitable for high moisture environment or high temperature application (not exceed 50 degree). Submerging into water is prohibited since the design is not for this application, Product may fail in short term, also cause your warranty void.

This device complies with Part 15 of the FCC Rules.

Operation is subject to the following two conditions: (1) this device may not cause harmful interference, and (2) this device must accept any interference received, including interference that may cause undesired operation.