

Trimless Surface Mount 7 / 9 / 11" Installation Instructions



INSTRUCTIONS PERTAINING TO RISK OF FIRE OR INJURY TO INSTALLATION
READ ALL INSTRUCTIONS

**IMPORTANT SAFETY
INSTRUCTIONS
SAVE THESE INSTRUCTIONS**

PREPARATION

Read all instructions before installing fixtures. Retain for future reference.

This fixture must be installed in accordance with the applicable installation code, by a person familiar with the construction or operation of the product and the hazards involved.

PRE-INSTALLATION

- Turn OFF electrical power before starting installation of light fixture.
- **CAUTION: RISK OF FIRE.** Consult a qualified electrician to ensure correct brand circuit conductor.
- For external use only. Recommend applying waterproof silicone to seal around trim and ceiling

TOOLS AND MATERIALS REQUIRED:



Phillips
Screwdriver



Wire cutters



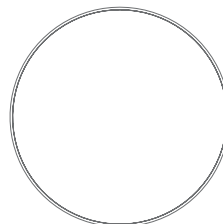
Pliers



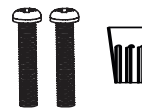
Wrench

PACKAGE CONTENTS:

PART	DESCRIPTION	QTY	NOTE
A	LED Low Profile Flushmount	1	
B	Mounting screws	2	
C	Wire nut	3	
D	Mounting plate	1	
E	Springs	2	Optional
F	E26 lamp holder	1	Optional

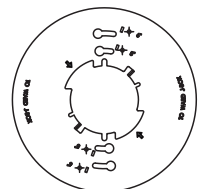


A

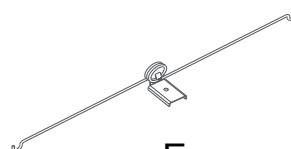


B

C



D



E



F

INSTALLATION: OPTION 1: FLUSH MOUNT

- **STEP 1:** Prior to installation, install mounting plate into electrical outlet box with mounting screws. Drive screws completely to the end of the junction box.
- **STEP 2:** Connect supply wires to wires on the fixture with wire nuts, or push wires into quick connector. Connect white to white, black to black and copper wire to copper wire as grounding connection.
- **STEP 3:** Complete installation by pushing the fixture into the mounting plate.

Electrical Outlet Box

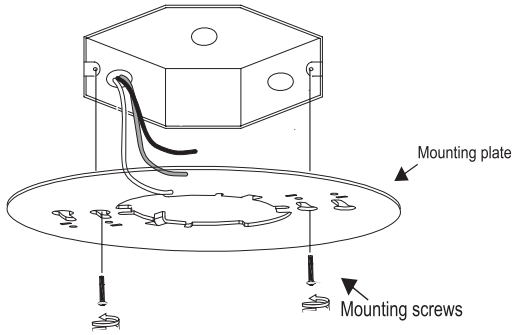


Image 1

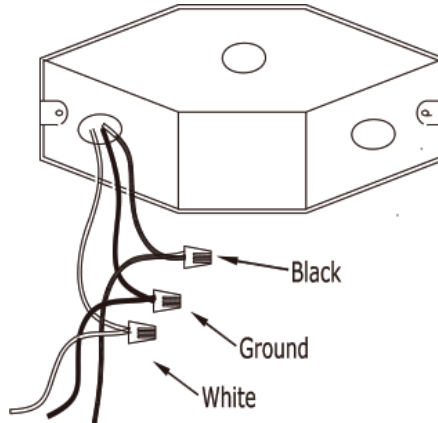
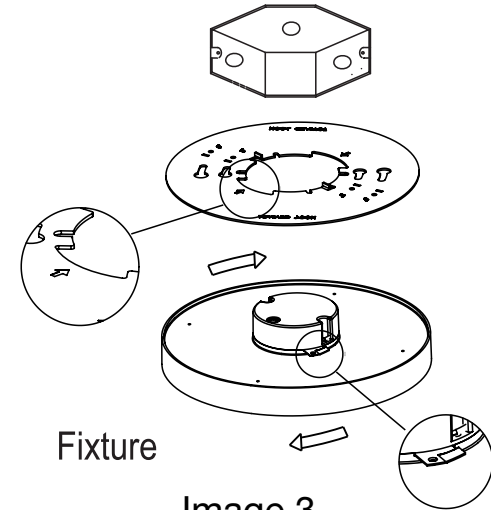


Image 2



INSTALLATION: OPTION 2: RETROFIT RECESSED CAN

- **STEP 1:** Insert wires into quick connector. Black to black and white to white. Attach ground wire to ground screw in recessed can.
- **STEP 2:** Place E26 lamp holder into socket base
- **STEP 3:** Connect to quick connectors and tuck all wires into recessed can. Squeeze springs and push up into recessed can.

5 Inch Housing Position

6 Inch Housing Position

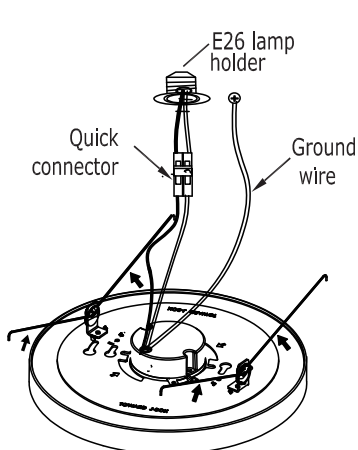


Image 1

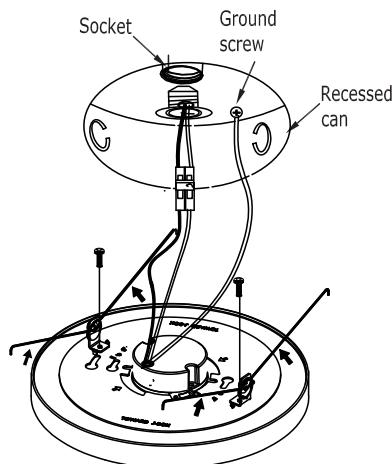


Image 2

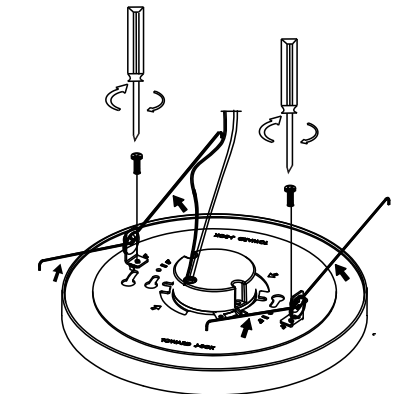
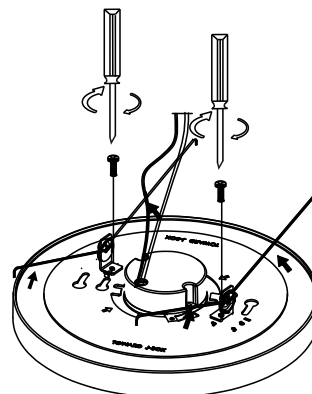


Image 3