



ARCY-Line: Under Cabinet Fixture Architectural Models



120V Triac Dimmable

120V Triac Dimmable

120V Triac Dimmable w/ USB + USB-C and 120-277V Dimmable w/ USB + USB-C

| LUMEN BY SIZE | |
|---------------|-------|
| 8" 4W | 180 |
| 11" 6W | 350 |
| 14" 8W | 570 |
| 22" 10W | 750 |
| 28" 12W | 900 |
| 33" 15W | 1,050 |
| 42" 18W | 1,250 |

Detail Specifications:

- Finishes:
 - WH: White
 - BZ: Bronze (select models only)
- IP Rating: Damp Location
- Beam Angle: 180°
- Chip: SMD 2835, R9 >50, CRI >90
- Operating Temperature: -4° - 114° F
- Lens: Frosted Acrylic, non-yellowing
- Housing: Die-cast Aluminum
- UV & IR Free
- 5CCT: 27/30/35/40/50K
- Average life (L70) of 50,000 hours

Applications:

- Under Cabinet Lighting
- Residential & Multifamily
- Task Lighting
- Education, Healthcare, Retail, Hospitality

Product Information:

- Even light distribution: no hotspots on the lens
- Instant-on to full brightness
- High-low-off toggle switch: choose between 100% & 50% brightness
- Slim profile: only 1" thick
- Integrated USB + USB-C model available

Driver Options:

- Voltage:
 - 120V Triac dimmable down to 10%
 - 120-277V, 0-10V dimmable
- THD: <20% (+/-5% tolerance), PF >0.9, 50/60Hz
- Flicker Free

Mounting & Installation:

- 3/8" flexible conduit or 3-wire romex
- 0-10V Dimming wires (UNV model)
- Mounting knockouts behind diffuser cover
- Hardwire or optional power cord available
- Built in screws for easy surface mounting
- End connectors: daisy change multiple fixtures without wiring

Certifications:

- ETL Listed for USA and CA
- CA Title 24 JA8-2022 CEC Listed
- 3 Year Limited Warranty
- FCC CFR 47, GCC Part 15, Subpart B:2017
- IC Rated and ASTM-E283 Air-Tight

120V Triac Dimmable

- LED-UC-8I-4W-5CCT-WH
- LED-UC-11I-6W-5CCT-WH
- LED-UC-14I-8W-5CCT-WH
- LED-UC-22I-10W-5CCT-WH
- LED-UC-28I-12W-5CCT-WH
- LED-UC-33I-15W-5CCT-WH
- LED-UC-42I-18W-5CCT-WH
- LED-UC-8I-4W-5CCT-BZ
- LED-UC-11I-6W-5CCT-BZ
- LED-UC-14I-8W-5CCT-BZ
- LED-UC-22I-10W-5CCT-BZ
- LED-UC-28I-12W-5CCT-BZ
- LED-UC-33I-15W-5CCT-BZ
- LED-UC-42I-18W-5CCT-BZ

120V Triac Dimmable w/ USB + USB-C

- LED-UC-11I-6W-5CCT-USB-WH
- LED-UC-14I-8W-5CCT-USB-WH
- LED-UC-22I-10W-5CCT-USB-WH
- LED-UC-28I-12W-5CCT-USB-WH
- LED-UC-42I-18W-5CCT-USB-WH

120-277V • 0-10V Dimmable w/ USB + USB-C

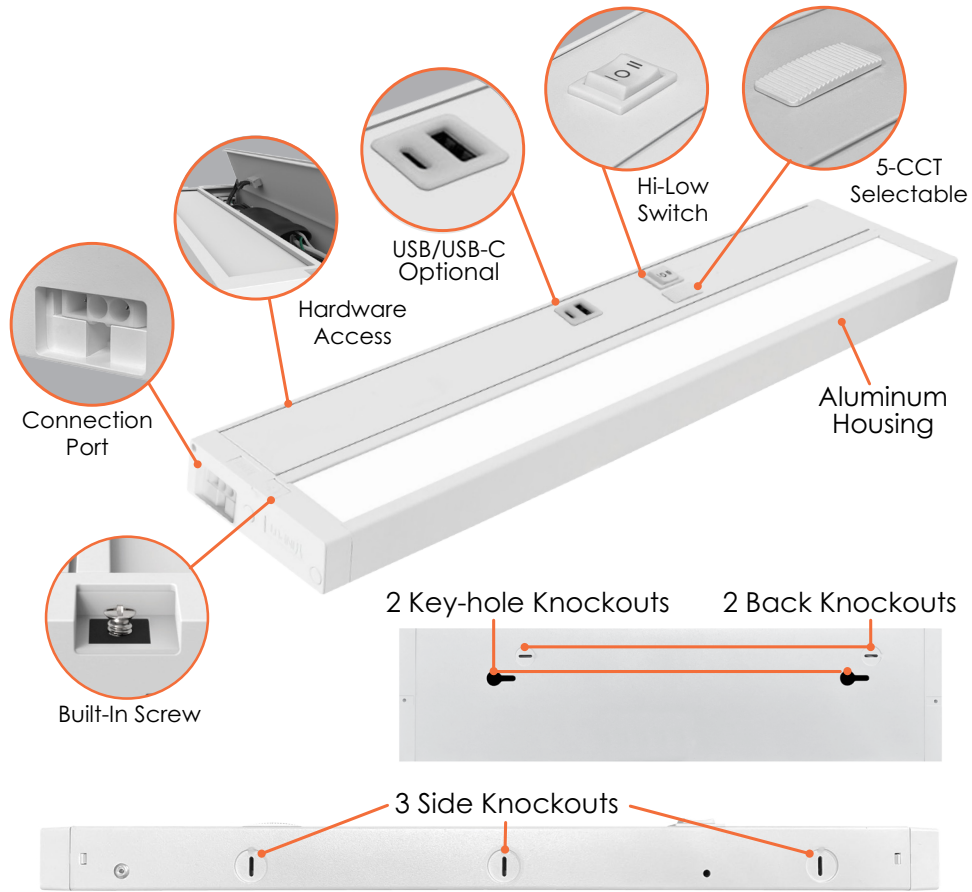
- LED-UC-14I-8W-5CCT-USB-WH-UNV
- LED-UC-22I-10W-5CCT-USB-WH-UNV
- LED-UC-28I-12W-5CCT-USB-WH-UNV
- LED-UC-42I-18W-5CCT-USB-WH-UNV

Accessories

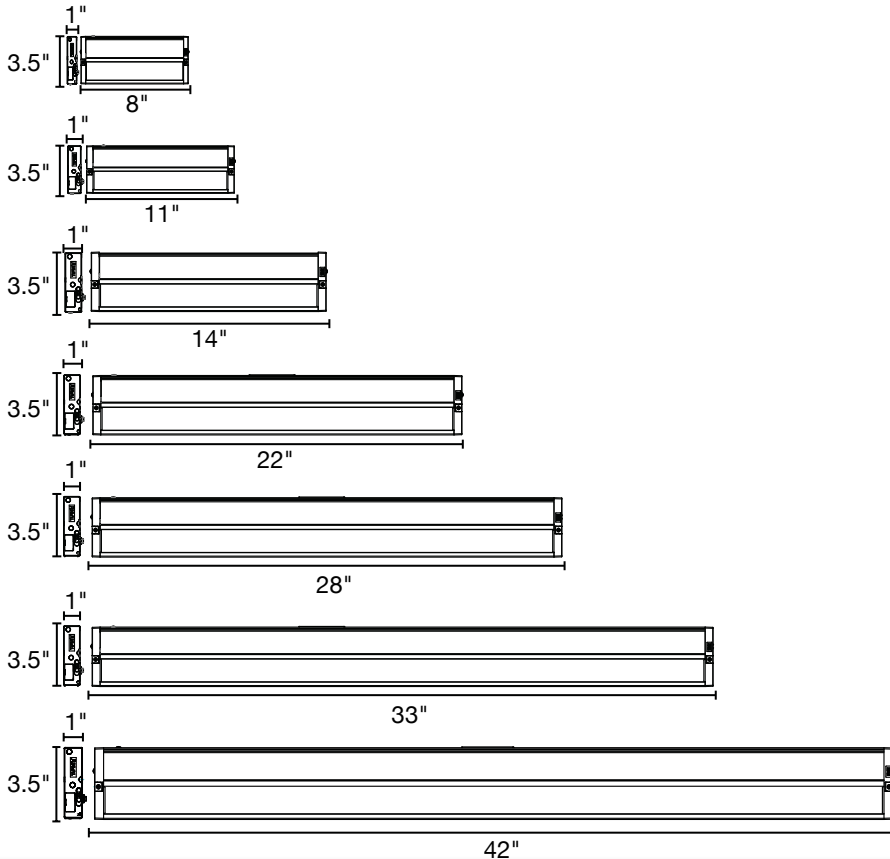
- UC-JUMPER-6"-W
6" UC Jumper (White)
- UC-JUMPER-12"-W
12" UC Jumper (White)
- UC-JUMPER-24"-W
24" UC Jumper (White)
- UC-JUMPER-6"-B
6" UC Jumper (Bronze)
- UC-JUMPER-12"-B
12" UC Jumper (Bronze)
- UC-JUMPER-24"-B
24" UC Jumper (Bronze)
- UC-5'-PC-WH
5' Power Cable (White)
- UC-5'-PC-BZ
5' Power Cable (Bronze)
- UC-JBOX
Undercabinet Jumper Box

ARCY-Line: Under Cabinet Fixture Architectural Models

FEATURES



DIMENSIONS



TRIAC DIMMER COMPATIBILITY

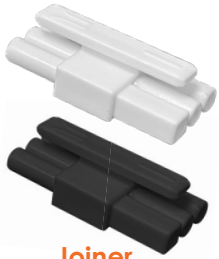
| Brand | Model | |
|---------|---------------|----------------|
| Lutron | MACL-153M | SELV-300P |
| | LGCL-153PLH | DVELV-300P |
| | TAL06P-C1-K-L | DV-600-PR-LA |
| | TGCL-153PH | DV-600PR-BL |
| | AYCL-153P | DV-600PR-WH |
| | DVCL-153P | S-2-LH |
| | DVSCCL-153P | CT-600PR-WH |
| | SCL-153P | DVW-603-PGH-WH |
| | MSCL-OP-153M | CT-600PR-IV |
| | CTCL-153P | S-600-PR-LA |
| Cooper | ASPIRE-9573 | DEVINE-DLC03P |
| | SKYE-SLC03P | SAL06P |
| | AAL06-C1-K-L | DAL06P-C1-K-L |
| Leviton | 6631 | 6633 |

**The listed dimmers have been tested and proven to work. Some discrepancies may exist due to different electrical work. These dimmers are recommended, but is not limited to other dimmers from working.*

ARCY-Line: Under Cabinet Fixture Architectural Models

ACCESSORIES

Included



Joiner



3/8" Connector



Screws & Anchors

Optional



UC-JUMPER-6"-W
UC-JUMPER-12"-W
UC-JUMPER-24"-W



UC-JUMPER-6"-B
UC-JUMPER-12"-B
UC-JUMPER-24"-B



UC-5'-PC-WH



UC-5'-PC-BZ

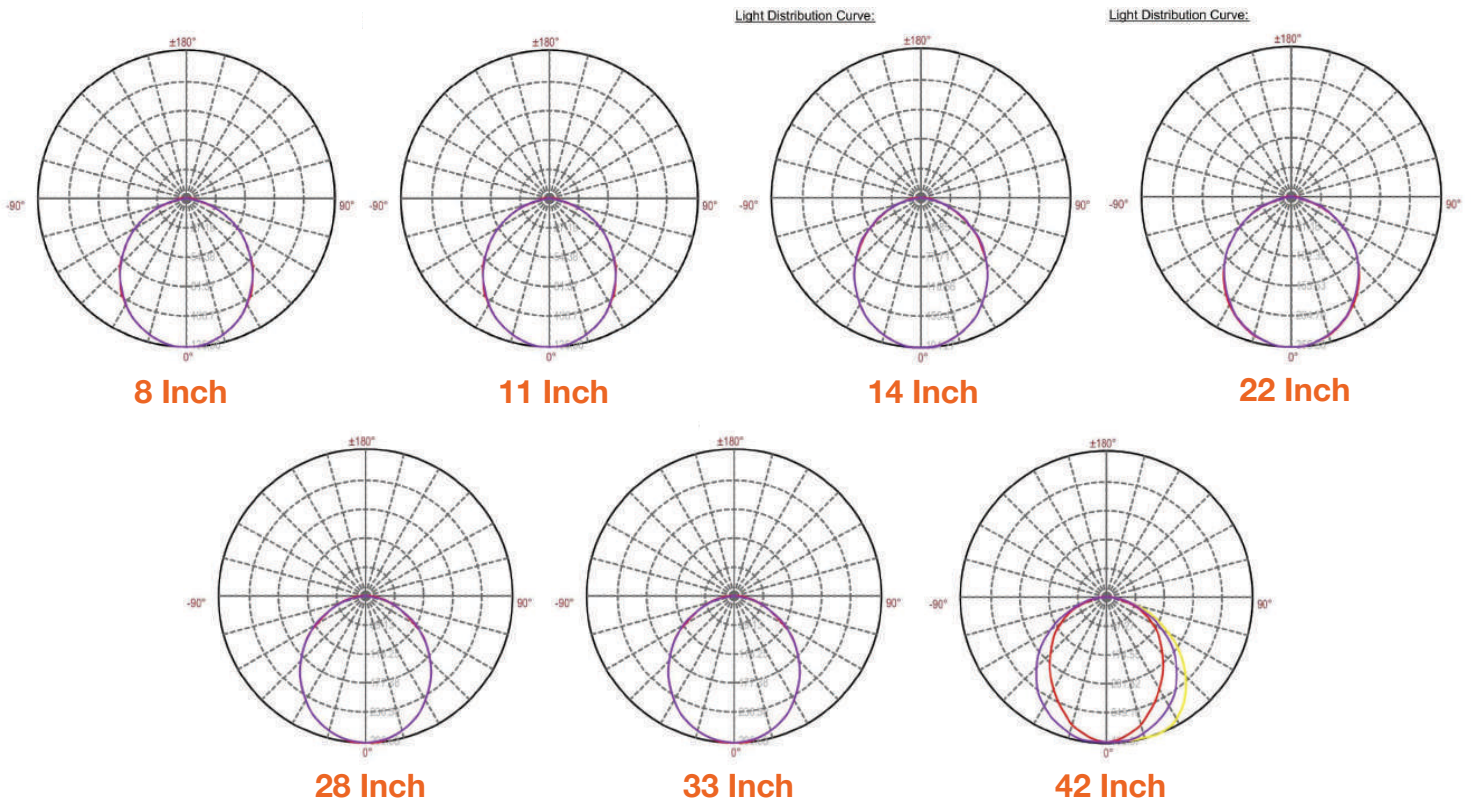


UC-JBOX

| Accessory Model | Description |
|-----------------|---------------------------|
| UC-JUMPER-6"-W | 6" UC Jumper |
| UC-JUMPER-12"-W | 12" UC Jumper |
| UC-JUMPER-24"-W | 24" UC Jumper |
| UC-JUMPER-6"-B | 6" UC Jumper |
| UC-JUMPER-12"-B | 12" UC Jumper |
| UC-JUMPER-24"-B | 24" UC Jumper |
| UC-5'-PC-WH | 5' Power Cable |
| UC-5'-PC-BZ | 5' Power Cable |
| UC-JBOX | Undercabinet Junction Box |

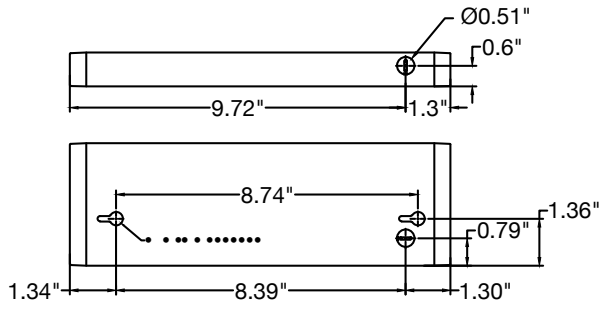
PHOTOMETRICS

Light Distribution

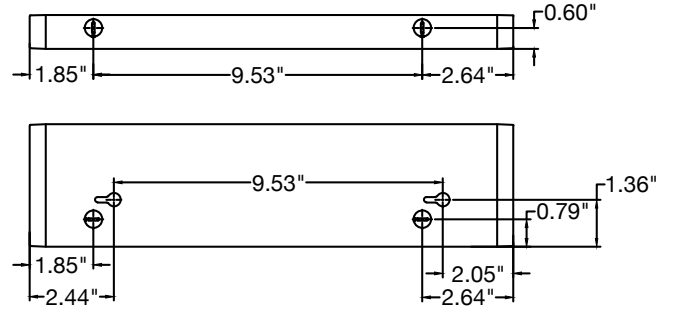


KNOCKOUT DIMENSIONS - LED-UC & LED-UC-USB

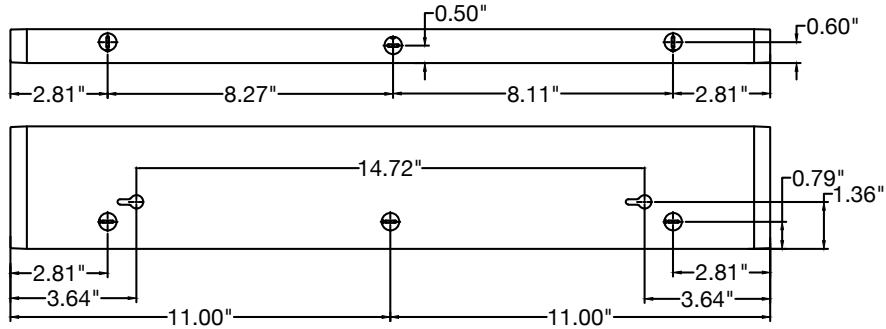
11"



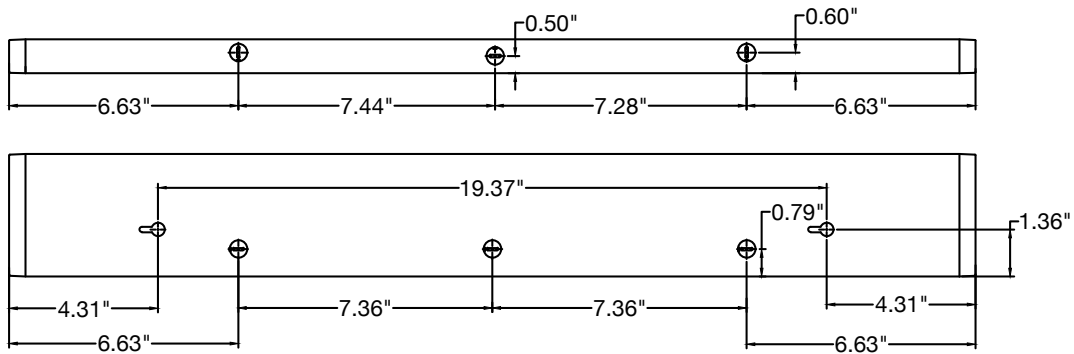
14"



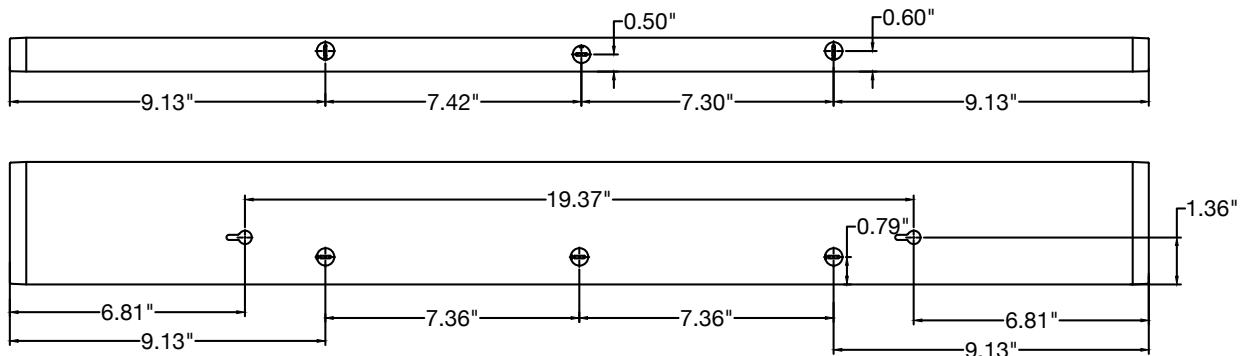
22"



28"



33"



42"

