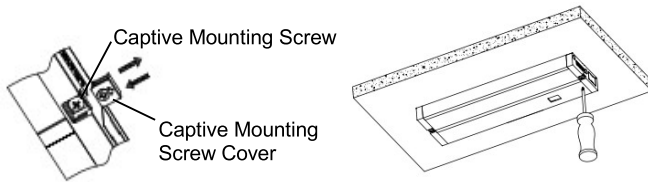


Undercabinet Installation Instructions

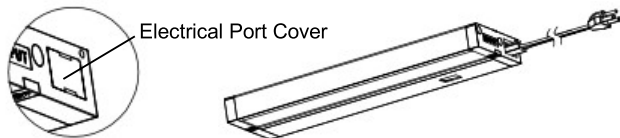
MOUNTING FIXTURE

1. Remove captive mounting screw covers.
2. Place fixture in desired position and drive mounting screws securely. In some installations it may be desired to drill a pilot hole for the screws.
3. Replace the captive mounting screw cover.



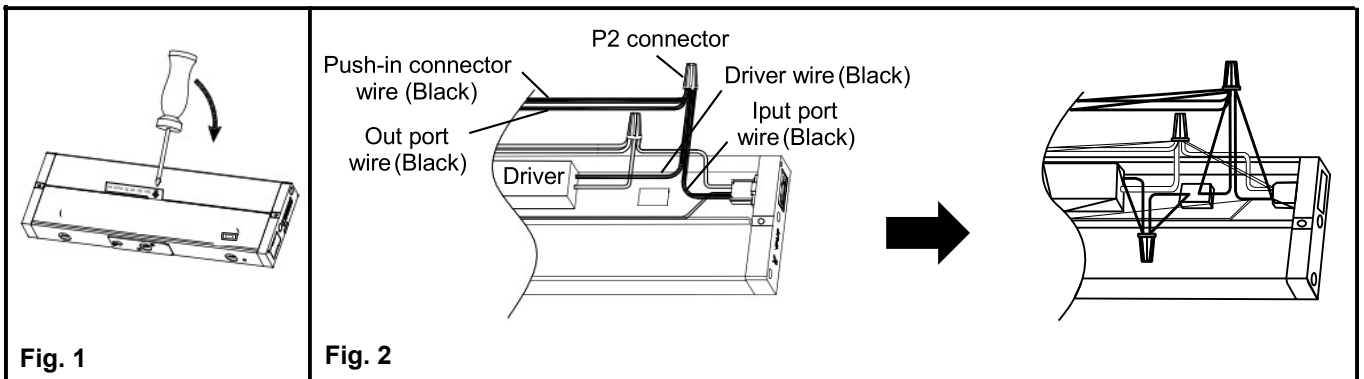
POWER CORD CONNECTION

Remove the electrical port cover and insert the power cord into INPUT electrical port. (Power cord sold separately)



SWITCH CONNECTION

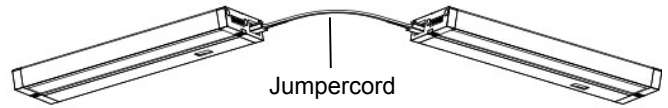
1. Open the cover on the back using a flat and sharp tool. (Fig. 1)
2. Unscrew a P2 connector where 4 black wires are connected. (Fig. 2)
3. Use a P2 connector (provided) and connect an INPUT port wire (Black) and a wire from the switch. (Fig. 2)
4. Use another P2 connector (provided) and connect a wire from Switch and the remaining black wires. (Fig. 2)
5. Replace the cover.



JOINING MULTIPLE FIXTURES

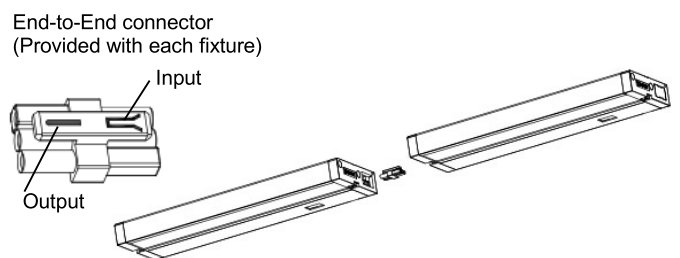
USING JUMPER CORD

1. Remove electrical port covers.
2. Connect INPUT of jumper cord to INPUT of electrical port.
3. Connect OUTPUT of jumper cord to OUTPUT of electrical port.



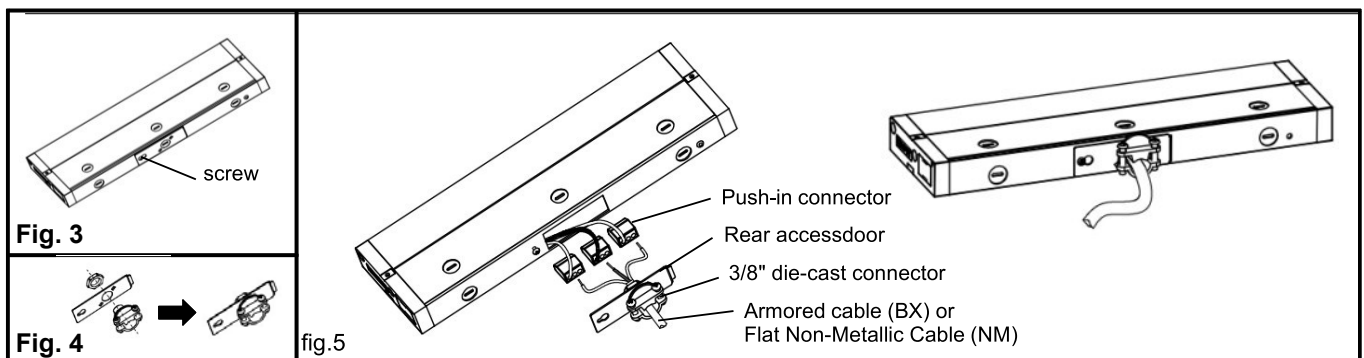
USING END-TO-END CONNECTOR

1. Remove electrical port covers.
2. Connect INPUT of end-to-end connector to INPUT of electrical port.
3. Connect OUTPUT of end-to-end connector to OUTPUT of electrical port.



WIRING CONNECTION THROUGH A REAR ACCESS DOOR

1. Loosen screw that secures rear access door and remove the door from key hole by just a slide (Fig. 3)
2. Assemble 3/8" die-cast connector into rear access door (Fig. 4) and push supply cable through the die-cast connector. (Fig. 5)
3. Inside fixture are three wires with push-in connectors. Carefully pull these out of fixture. Do not pull with excessive force.
4. Insert each of the three wires from the supply cable into each of the three push-in connectors with color wires. Black to Black, White to White and Green (Earth Wire) to green.
5. Neatly push wires and push-in connectors into opening the back of the fixture.
6. Close the rear access door and tighten screw.



1. Open a cover in the back using a flat and sharp tool.
2. Remove knockout and assemble 3/8" die-cast connector.
3. Push supply cable through the die-cast connector and connect wires using push-in connector.
4. Replace the cover and close.