

Project: \_\_\_\_\_ Part #: \_\_\_\_\_  
 Type: \_\_\_\_\_

Vapor Tight

# Linear Vapor Tight Fixtures

2' / 4' / 8' Lengths



### Detail Specification:

- Finish: Gray
- IP Rating: IP65 Wet Location
- Beam Angle: 130°
- Chip: SMD 2835, R9 >50, CRI >80
- 3 Step MacAdam Ellipses
- Operating Temperature: -40° - 122° F
- Lens: Round PMMA Frosted Lens
- Average life (L70) of 50,000 hours

### Applications:

- Stairwell & Hallways
- Vandal Proof or Harsh Weather
- Utility & Storage
- Garage Structures
- Shop Lighting, Carports, Barns
- Commercial and Industrial

### Product Information:

- Plastic injection non-rust housing with internal metal heat sink
- Anti-rust stainless steel mounting clips
- Easy j-box access: snap on and off tool-less design
- Select-n-Switch Technology: 4-CCT + 3-Power Selectable

### Driver Options:

- UNV: 120-277V 0-10V Dimmable
- Optional 347-480V step down transformer available
- THD: <20% (+/-5% tolerance), PF >0.9, 50/60Hz
- Flicker Free

### Mounting & Installation:

- Surface mount into 30 or 40 j-box
- Optional 9' suspension kit available

### Certifications:

- ETL Listed for USA and CA
- DLC Premium Listed
- NSF Rated
- Approved for CA T24
- Approved for NYC & Chicago Applications
- 5 Year Limited Warranty
- FCC CFR 47, GCC Part 15, Subpart B:2017

WATT	LUMENS
15	1,950
20	2,600
25	3,250
30	3,900
40	5,200
50	6,500
60	7,800
70	9,100
80	10,400
90	11,700
100	13,000

Series	Sensor	Emergency	Driver <sup>1</sup>
<b>LED-VPT-2FT-3M25-4CCT</b> 15/20/25W • 30/35/40/50K	<b>BMS</b> Bi-Level Motion + Daylight Sensor	<b>EMB</b> Emergency Backup	<b>(Blank)</b> 120-277V
<b>LED-VPT-4FT-3M50-4CCT</b> 30/40/50W • 30/35/40/50K			<b>HV</b> 347-480V
<b>LED-VPT-4FT-3M80-4CCT</b> 60/70/80W • 30/35/40/50K			<b>Stepdown</b>
<b>LED-VPT-8FT-3M100-4CCT</b> 80/90/100W • 30/35/40/50K			

1. HV: High voltage is made to order.

Optional Accessories (Order Separately)	
<b>Suspension Kit</b>	<b>Wire Guards<sup>1</sup></b>
<b>SK-9FT-ADJ-2</b> 9' Suspension Kit	<b>VPT-2FT-WG</b> 2ft Wire Guard
	<b>VPT-4FT-WG</b> 4ft Wire Guard

1. Wire guards are made to order. Available locally.

Specs and model numbers are subject to change with or without notice

# Linear Vapor Tight Fixtures

2' / 4' / 8' Lengths

## FEATURES



Knock-Outs on Both Ends, Connectable with Waterproof Connectors

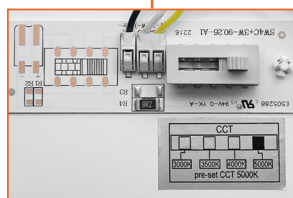
Internal Bi-Level Motion Sensor (Optional)



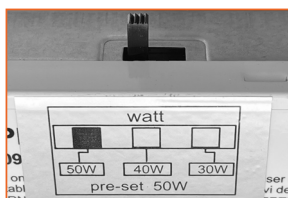
Steel Lock Mounts



Surface Mount Brackets

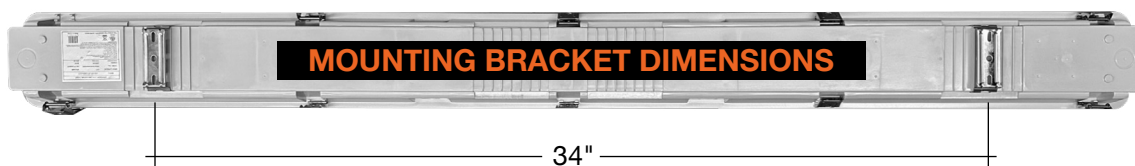
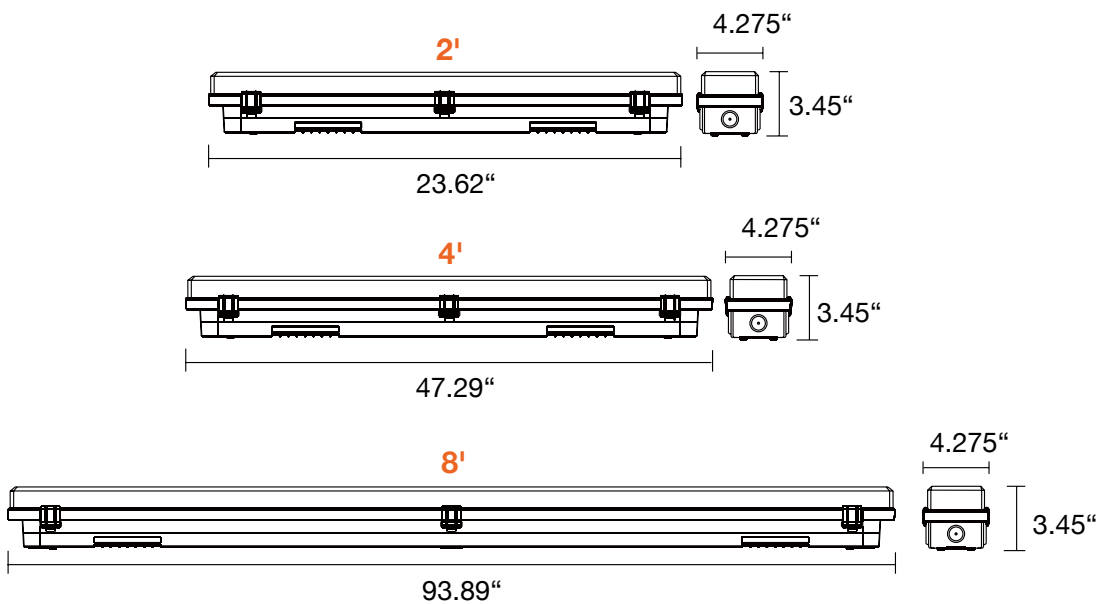


4-Color Selectable



3 Watt Selection

## DIMENSIONS



34"

# Linear Vapor Tight Fixtures

## 2' / 4' / 8' Lengths

### ACCESSORIES



SK-9FT-ADJ-2



VPT-2FT-WG  
VPT-4FT-WG

Model	Voltage	Watts	Lumens	Color	CRI
LED-VPT-2FT-3M25-4CCT	120-277V	15/20/25w	130lm/w	30/35/40/50k	>80
LED-VPT-4FT-3M50-4CCT	120-277V	30/40/50w	130lm/w	30/35/40/50k	>80
LED-VPT-4FT-3M80-4CCT	120-277V	60/70/80w	130lm/w	30/35/40/50k	>80
LED-VPT-8FT-3M100-4CCT	120-277V	80/90/100w	130lm/w	30/35/40/50k	>80

### SUSPENSION KIT

Model	Description
SK-9FT-ADJ-2	9' Suspension Kit

### WIRE GUARDS

Model	Description
VPT-2FT-WG	2ft Wire Guard
VPT-4FT-WG	4ft Wire Guard (order 2 for 8ft fixtures)