

Linear Vapor Tight Fixtures

2' / 4' / 8' Lengths

Vapor Tight



Detail Specification:

- Finish: Gray
- IP Rating: IP65 Wet Location
- Beam Angle: 130°
- Chip: SMD 2835, R9 >50, CRI >80
- Operating Temperature: -40° - 122° F
- Lens: Round PMMA Frosted Lens
- Average life (L70) of 50,000 hours

Applications:

- Stairwell & Hallways
- Vandal Proof or Harsh Weather
- Utility & Storage
- Garage Structures
- Shop Lighting, Carports, Barns
- Commercial and Industrial

Product Information:

- Plastic injection non-rust housing with internal metal heat sink
- Anti-rust stainless steel mounting clips
- Easy j-box access: snap on and off tool-less design
- Select-n-Switch Technology: 5-CCT + 3-Power Selectable

Driver Options:

- UNV: 120-277V 0-10V Dimmable
- Optional 347-480V step down transformer available
- THD: <20% (+/-5% tolerance), PF >0.9, 50/60Hz
- Flicker Free

Mounting & Installation:

- Surface mount into 3O or 4O j-box
- Optional suspension kit available
- Optional corner mount available

Certifications:

- ETL Listed for USA and CA
- DLC Premium Listed
- NSF Rated
- Approved for CA T24
- Approved for NYC & Chicago Applications
- 5 Year Limited Warranty
- FCC CFR 47, GCC Part 15, Subpart B:2017

WATT	LUMENS
25/20/15	3,750/3,000/2,250
50/40/30	7,500/6,000/4,500
80/70/60	12,000/10,500/9,000
100/80/60	15,000/12,000/9,000

Series

LED-VPT-2FT-3P25-5CCT-UNV
 25/20/15W • 30/35/40/50/65K
LED-VPT-4FT-3P50-5CCT-UNV
 50/40/30W • 30/35/40/50/65K
LED-VPT-4FT-3P80-5CCT-UNV
 80/70/60W • 30/35/40/50/65K
LED-VPT-8FT-3P100-5CCT-UNV
 100/80/60W • 30/35/40/50/65K

Sensor ¹ Emergency Driver ²

BMS Bi-Level Motion + Daylight Sensor
EMB Emergency Backup
(Blank) 120-277V
HV 347-480V Stepdown

Optional Accessories (Order Separately)

Suspension Kit **Wire Guards¹**
SK-10FT-Y-LC-PD 10' Y-Shape, Loop Top, Paddle Bottom (Adjustable Length)
SK-20FT-Y-LC-PD 20' Y-Shape, Loop Top, Paddle Bottom (Adjustable Length)
VPT-ANGLE 90° Corner Angle Mount
VPT-2FT-WG 2ft Wire Guard
VPT-4FT-WG 4ft Wire Guard

1. Sensor Note:
 Microwave: Detects motion through barriers such as walls, and doors. Ideal for applications where obstacles might obstruct the line of sight. Works effectively outdoors, in large open spaces, & parking lots. Do not use in areas of high vibrations or metal.
 PIR: Ideal for indoor environments with clear lines of sight to the area of interest. Detects warm objects, like a person or animal. Good for high vibration, areas of metal.

2. HV: High voltage is made to order.

1. Wire guards are made to order. Available locally.

Linear Vapor Tight Fixtures

2' / 4' / 8' Lengths

FEATURES



Knock-Outs on Both Ends, Connectable with Waterproof Connectors

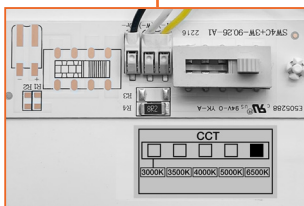
Internal Bi-Level Motion Sensor (Optional)



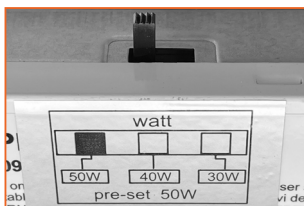
Surface Mount Brackets



Steel Lock Mounts

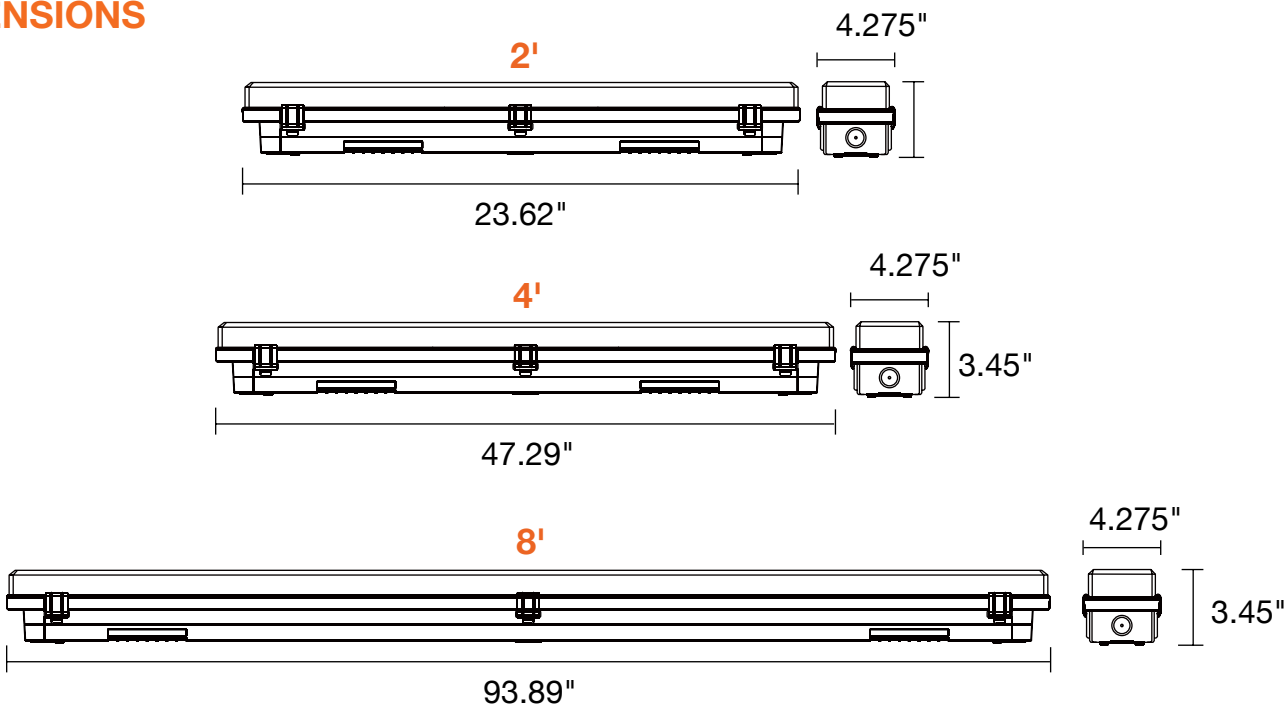


5-Color Selectable



3-Watt Selection

DIMENSIONS



Linear Vapor Tight Fixtures

2' / 4' / 8' Lengths

ACCESSORIES



SK-10FT-Y-LC-PD
SK-20FT-Y-LC-PD



VPT-2FT-WG
VPT-4FT-WG

Model	Voltage	Watts	Lumens	Color	CRI
LED-VPT-2FT-3P25-5CCT-UNV	120-277V	25/20/15w	3,750/3,000/2,250	30/35/40/50/65K	>80
LED-VPT-4FT-3P50-5CCT-UNV	120-277V	50/40/30w	7,500/6,000/4,500	30/35/40/50/65K	>80
LED-VPT-4FT-3P80-5CCT-UNV	120-277V	80/70/60w	12,000/10,500/9,000	30/35/40/50/65K	>80
LED-VPT-8FT-3P100-5CCT-UNV	120-277V	100/80/60w	15,000/12,000/9,000	30/35/40/50/65K	>80

MOUNTING KIT

Model	Description
SK-10FT-Y-LC-PD	10' Y-Shape, Loop Top, Paddle Bottom (Adjustable Length)
SK-20FT-Y-LC-PD	20' Y-Shape, Loop Top, Paddle Bottom (Adjustable Length)
VPT-ANGLE	90° Corner Angle Mount

WIRE GUARDS

Model	Description
VPT-2FT-WG	2ft Wire Guard
VPT-4FT-WG	4ft Wire Guard (order 2 for 8ft fixtures)