

# Vanity Light Installation Instructions

## CAUTION

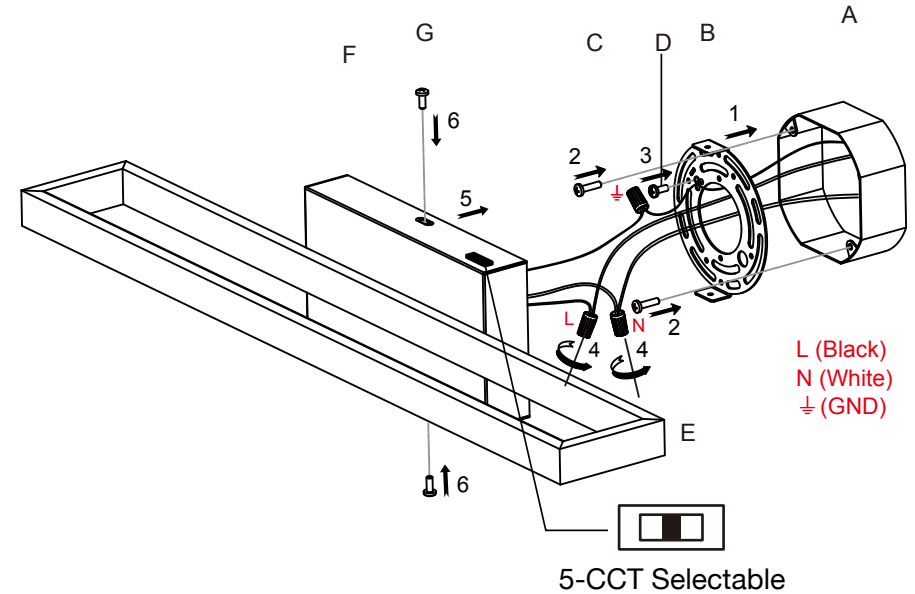
Turn off the main power at the circuit breaker before installing the fixture, in order to prevent possible shock.

## GENERAL

All electrical connections must be in accordance with local and National Electrical Code (N.E.C.) standards. If you are unfamiliar with proper electrical wiring connections obtain the services of a qualified electrician. Carefully unpack light fixture and hardware bag from box, and make sure that no parts are missing by referencing the illustrations on the installation instructions.

Remove the fixture and the mounting package from the box and make sure that no parts are missing by referencing the illustrations on the installation instructions.

1. Place the mounting bracket (2) over the outlet box (1) and align the mounting slots of the mounting bracket (2) with the mounting holes of the outlet box (1). Use a level to make sure the mounting bracket (2) is straight.
2. Feed the mounting screws (3) through the mounting slots of the mounting bracket (2) and into the mounting holes of the outlet box (1). The side of the mounting bracket (2) marked "GND" must face out. Pull the power supply wires out from the outlet box (1).
3. Wrap the middle of the ground wire around the ground screw (3), then fix the screw (3) to the mounting bracket (2).
4. Connect the ground wire from the fixture to the ground wire from the outlet box using the wiring cap (5). Connect the neutral wire to the neutral wire and the live wire to the live wire using the wiring cap (5).
5. After wires are connected, tuck them carefully inside the outlet box (1). Place the fixture (6) on the mounting bracket (2) and align the two holes above and below the fixture and the mounting bracket.
6. Anchor screw (7) through the fixture holes to complete the fixture fixing.
7. After installation, adjust the color temperature with a dip switch, restore power at the circuit breaker and turn on the light switch to activate this fixture.



- |                              |                 |
|------------------------------|-----------------|
| A. OUTLET BOX (NOT INCLUDED) | E. WIRING CAP   |
| B. MOUNTING BRACKET          | F. FIXTURE      |
| C. MOUNTING SCREW            | G. ANCHOR SCREW |
| D. GROUND WIRE SCREW         |                 |

This device complies with part 15 of the FCC Rules. Operation is subject to the following two conditions: (1) This device may not cause harmful interference, and (2) this device must accept any interference received, including interference that may cause undesired operation.