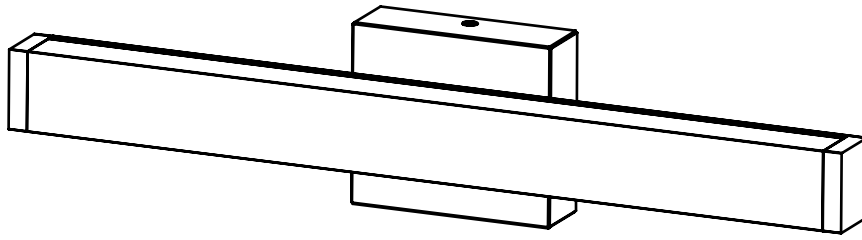


# Vanity Light - Contemporary Square Installation Instructions



## SAFETY PRECAUTIONS

READ CAREFULLY BEFORE INSTALLING FIXTURE. RETAIN THESE INSTRUCTIONS FOR FUTURE REFERENCE. This fixture must be wired in accordance with the National Electrical Code and all applicable local codes. Proper grounding is required for safety. THIS PRODUCT MUST BE INSTALLED IN ACCORDANCE WITH THE APPLICABLE INSTALLATION CODE BY A PERSON FAMILIAR WITH THE CONSTRUCTION AND OPERATION OF THE PRODUCT AND THE HAZARDS INVOLVED.

TO PREVENT ELECTRICAL SHOCK, POWER SHOULD BE TURNED OFF AT THE FUSE BOX BEFORE INSTALLATION. SAFETY WARNINGS:

Read all product labels and directions.

- **WARNING** - Risk of fire or electric shock. Install this kit only in the luminaires that have the construction features and dimensions shown in the photographs and/or drawings and where the input rating of the retrofit kit does not exceed the input rating of the luminaire.
- Installation should be performed only by a qualified electrician in accordance with the National Electrical Code and relevant local codes. Do not make or alter any open holes in an enclosure of wiring or electrical components during kit installation.
- **WARNING** - To prevent wiring damage or abrasion, do not expose wiring to edges of sheet metal or other sharp objects.
- **INSTALLATION SHOULD ONLY BE PERFORMED AFTER POWER TO THE FIXTURE HAS BEEN DISCONNECTED.**

These instructions shall be included on an information sheet packaged with each unit.

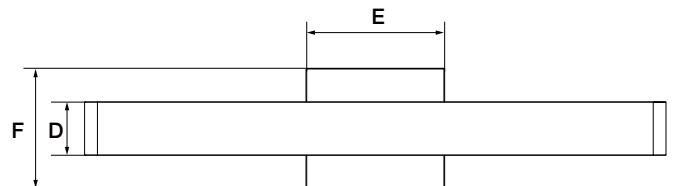
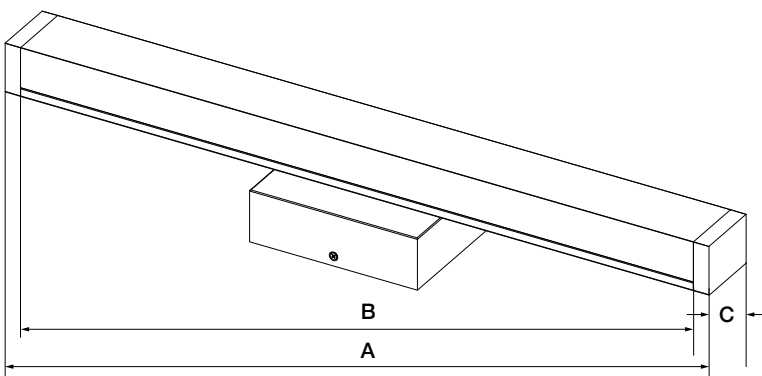
• This device complies with Part 15 of the FCC Rules. Operation is subject to the following two conditions:

- (1) This device may not cause harmful interference, and (2) this device must accept any interference received, including interference that may cause undesired operation.

This equipment has been tested and found to comply with the limits for a Class A digital device, pursuant to part 15 of the FCC Rules. These limits are designed to provide reasonable protection against harmful interference in a residential installation. This equipment generates, uses and can radiate radio frequency energy and, if not installed and used in accordance with the instructions, may cause harmful interference to radio communications. However, there is no guarantee that interference will not occur in a particular installation. If this equipment does cause harmful interference to radio or television reception, which can be determined by turning the equipment off and on, the user is encouraged to try to correct the interference by one or more of the following measures:

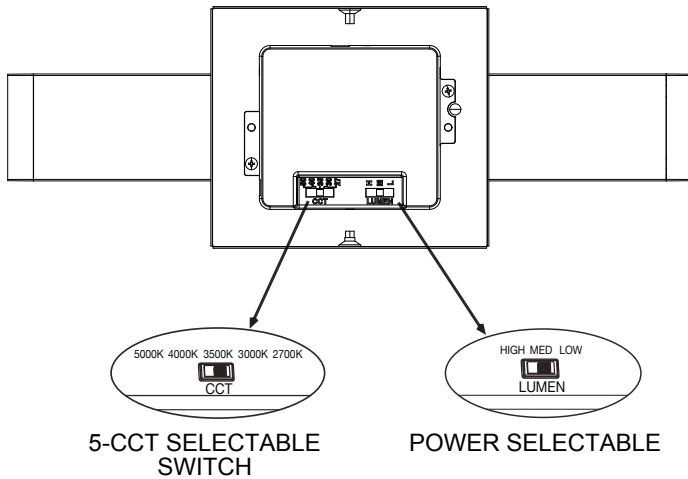
- Reorient or relocate the receiving antenna.
- Increase the separation between the equipment and receiver.
- Connect the equipment into an outlet on a circuit different from that to which the receiver is connected.
- Consult the dealer or an experienced radio/TV technician for help.

## DIMENSIONAL DRAWING



DIMENSIONS	A	B	C	D	E	F
2 FT	21.46"	20.51"	1.5"	1.97"	5.12"	4.45"
3 FT	33.27"	32.32"	1.5"	1.97"	5.12"	4.45"
4 FT	45.08"	44.13"	1.5"	1.97"	5.12"	4.45"

# ADJUST WATTAGE & CCT BEFORE INSTALLATION



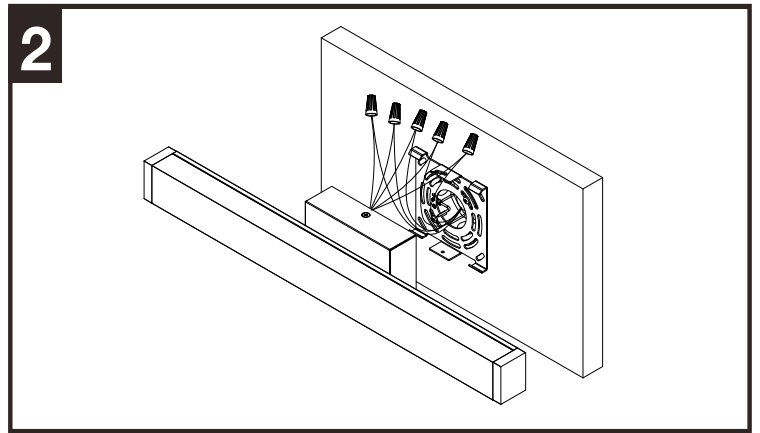
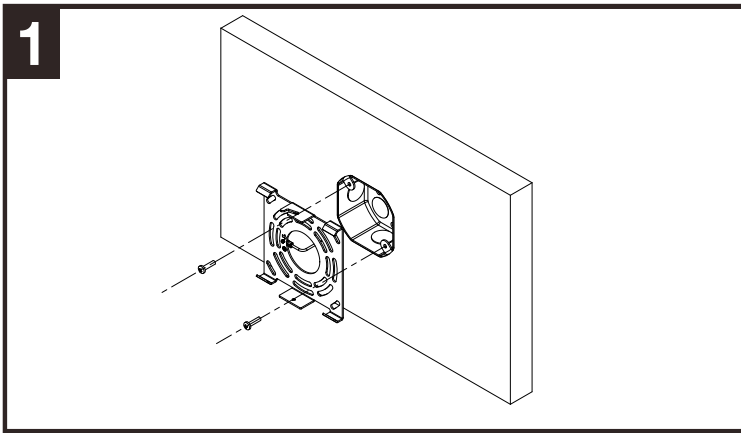
WATTAGE ADJUSTMENT (3-SET POSITION)			
Items	Left Position	Middle Position	Right Position
2FT	9W	15W	19W
3FT	19W	23W	30W
4FT	22W	29W	36W

CCT ADJUSTMENT (5-SET POSITION)	
LEFT POSITION TO RIGHT POSITION	
2700K / 3000K / 3500K / 4000K / 5000K	

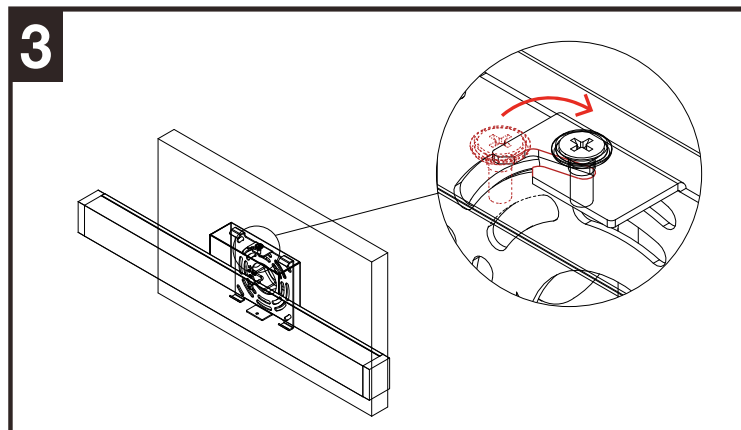
## INSTALLATION STEPS

**WARNING:** Make sure all power is OFF before installation.

1. Locate the reserved outlet box on the ceiling. Fix the mounting plate to the outlet box with screws as Fig. 1.
2. Connect the wires with wire nuts (white-white, black-black, green-green/ground). The violet to 0-10V dimming positive and pink to 0-10V dimming negative if the fixture is 0-10V version) as Fig. 2.



3. Fix the canopy to the mounting plate and the screw runs via chute as Fig. 3.



4. Fix the fixture via screw. Finish the installation, power on and enjoy the lights Fig. 4.

