

# LED Work Light High Bay Instructions

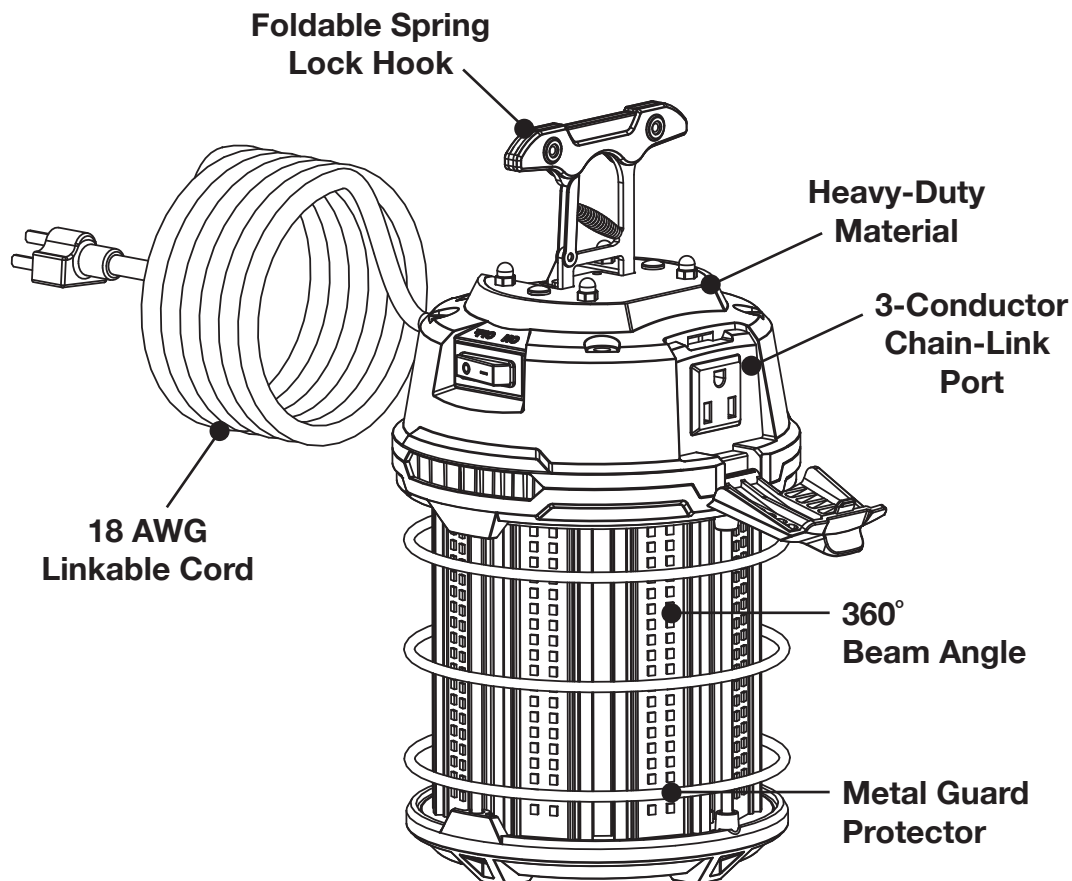


## Warning:

**RISK OF ELECTRIC SHOCK**

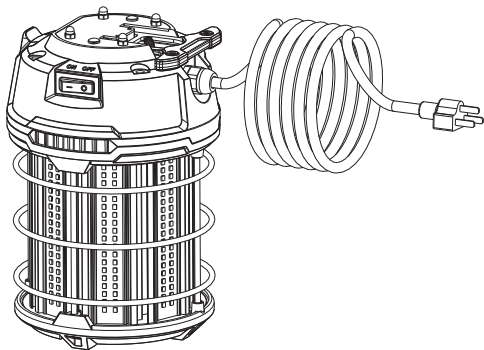
**IMPORTANT: READ BEFORE REMOVING FIXTURE FROM BOX. KEEP THIS INSTRUCTION MANUAL FOR FUTURE REFERENCE.**

- Disconnect electrical power to fixture and follow proper lockout/tag out procedures before installation or maintenance. Contact a qualified electrician for installation.
- DO NOT disassemble the fixture
- Use ONLY in 120VAC, 60Hz circuits
- Suitable for use in a damp locations
- **DO NOT use with extension cords near water or wherever water may be accumulate.**



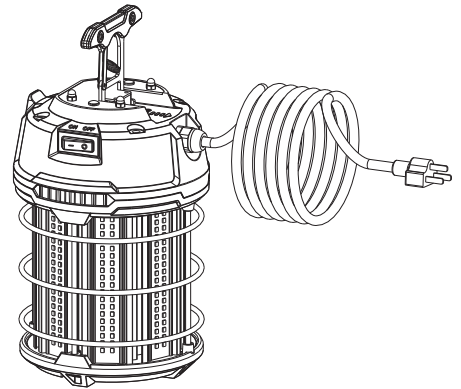
## Hook Installation

1. Check whether the appearance of the fixture is in good condition (Pic. 1)



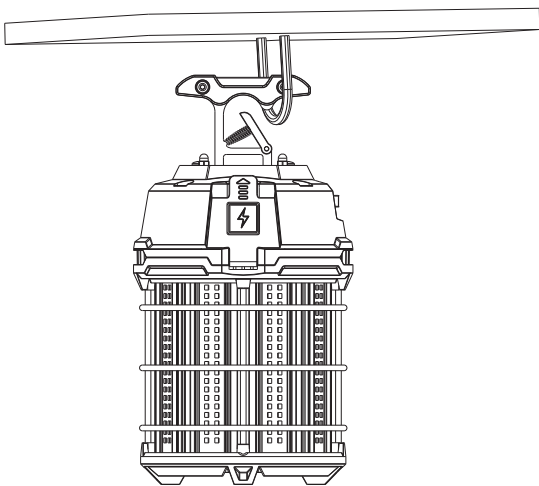
Pic. 1

2. Stand the metal hook up (Pic. 2)



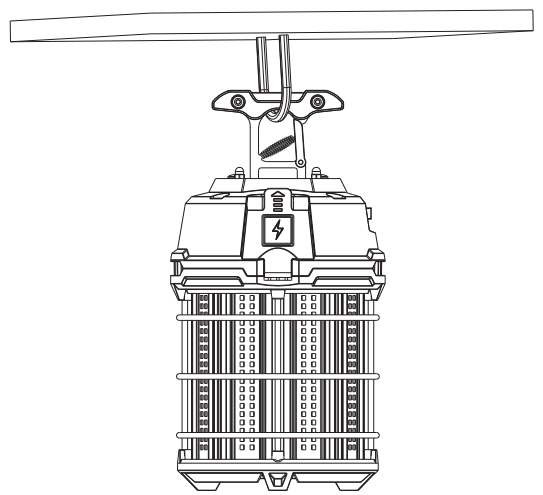
Pic. 2

3. Rotate the buckle of the hook and hang it on the ring or rope (Pic. 3)



Pic. 3

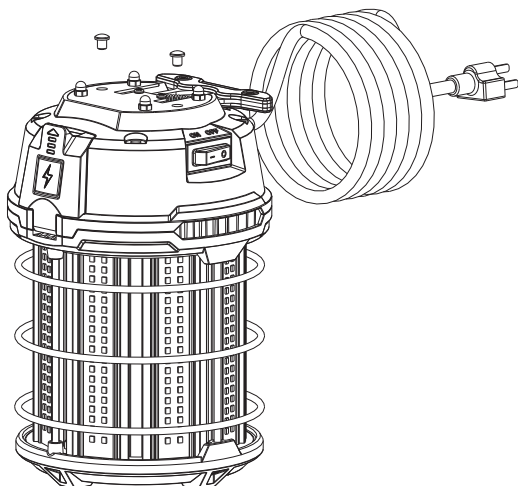
4. Installation finished (Pic. 4)



Pic. 4

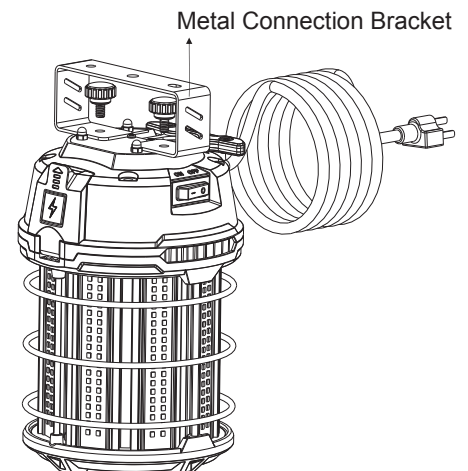
## I-type Support Bracket Installation

1. Remove the protective glue plugs inside the two bracket mounting holes on the top (Pic. 5)



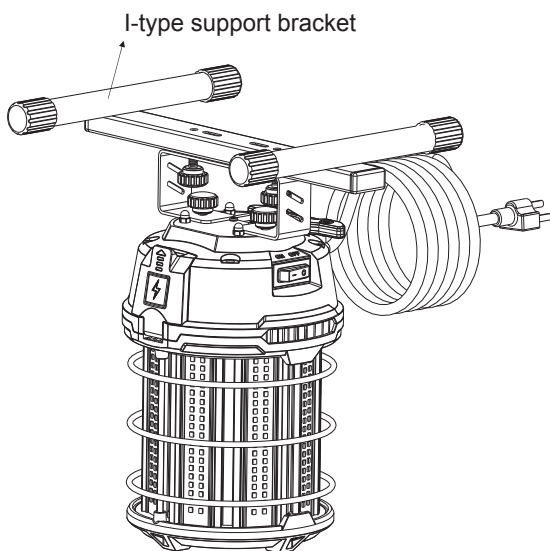
Pic. 5

2. Install the metal connection bracket on the top of the product with two M6\*12 screws (Pic. 6)



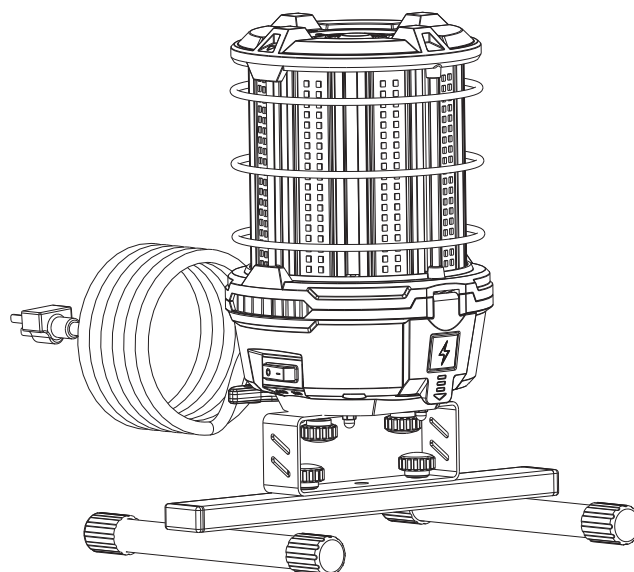
Pic. 6

3. Install the I-type support bracket with two M6\*16 screws on the connecting bracket (Pic. 7)



Pic. 7

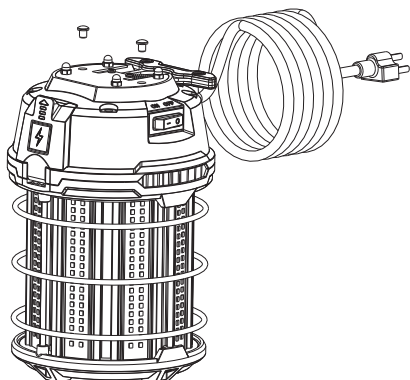
4. I-type support bracket installation finished (Pic. 8)



Pic. 8

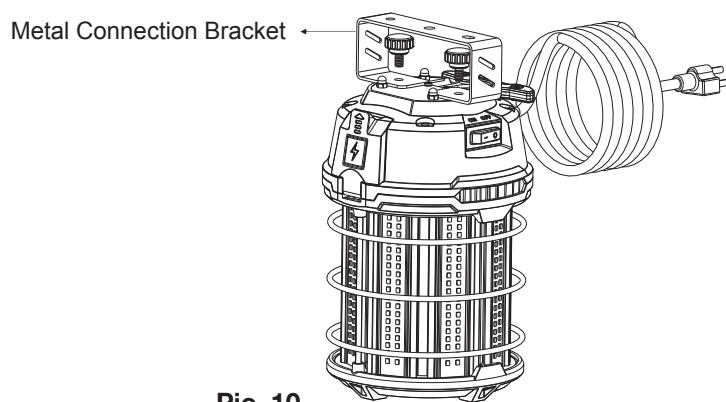
## Tripod Installation

1. Remove the protective glue plugs inside the two bracket mounting holes on the top (Pic. 9)



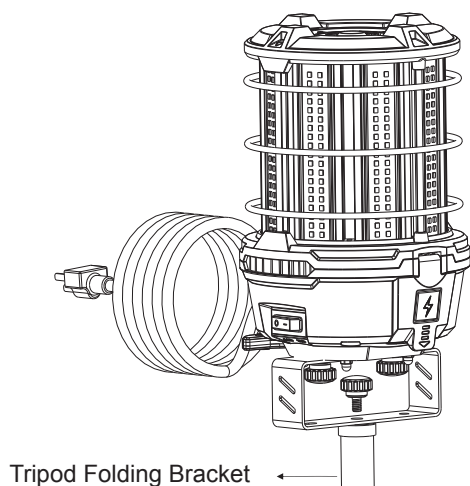
Pic. 9

2. Install the metal connection bracket on the top of the product with two M6\*12 screws (Pic 10)



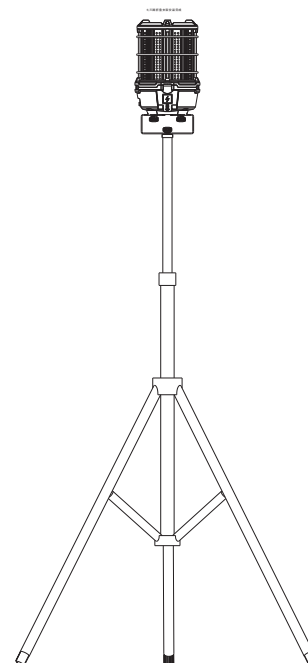
Pic. 10

3. Install the metal connection bracket on the tripod folding bracket with one M6\*20 screw (Pic 11)



Pic. 11

4. Tripod folding bracket installation finished (Pic 12)



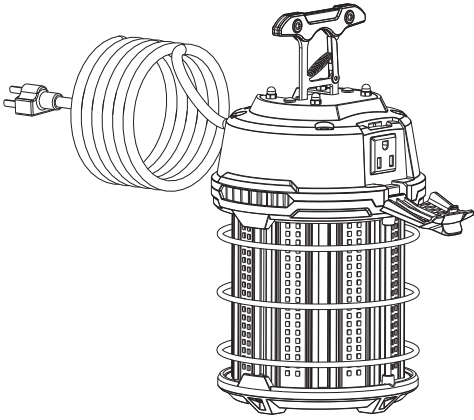
Pic. 12

# Linking Additional Units

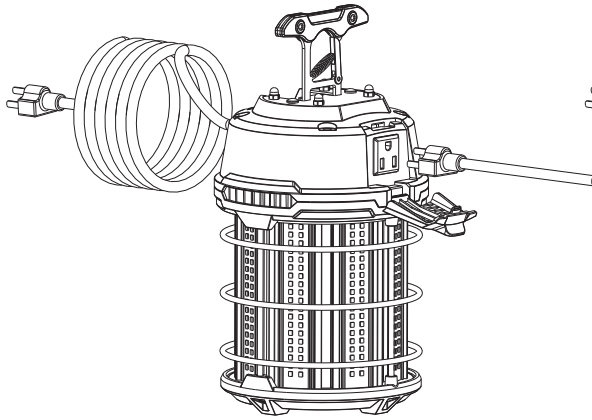
1. Turn down to open the protective cover (Pic. 13)

2. Insert the American standard three-hole plug into the socket (Pic. 14)

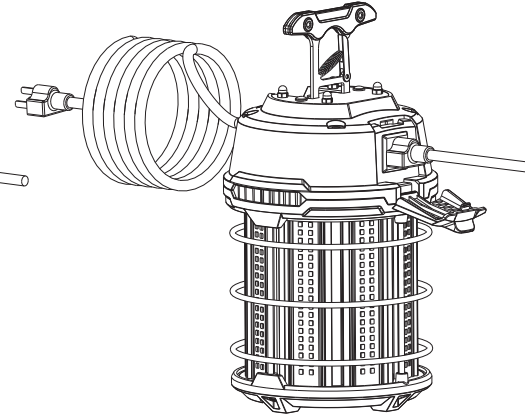
3. Product linked one by one (Pic. 15)



**Pic. 13**



**Pic. 14**



**Pic. 15**

WATTAGE	UL CURRENT @ 120V	LINKABLE QTYS
200W	2	4pcs
150W	1.5	6pcs
100W	1	8pcs
60W	0.6	12pcs