

# Installation Instructions for Bulk Head Wall Pack



**WARNING**

## PLEASE READ ALL INSTRUCTIONS BEFORE ATTEMPTING INSTALLATION

**SAFETY:** This fixture must be wired in accordance with the national electrical code and applicable local codes and ordinances. Proper grounding is required to insure personal safety. Carefully observe the grounding procedure under installation section. All work should be done by a qualified electrician.

- RISK OF ELECTRIC SHOCK - Disconnect power at fuse or circuit breaker before installing or servicing.
- RISK OF PERSONAL INJURY - Fixture may become damaged and/or unstable if not installed properly.

**WARNING:** Make certain power is OFF before starting installation or attempting any maintenance.

## INSTALLATION

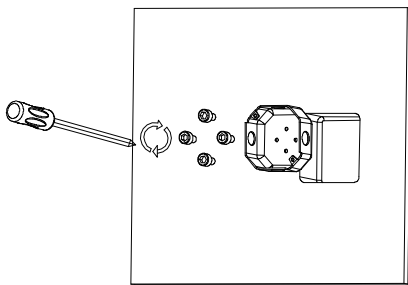


Fig. 1

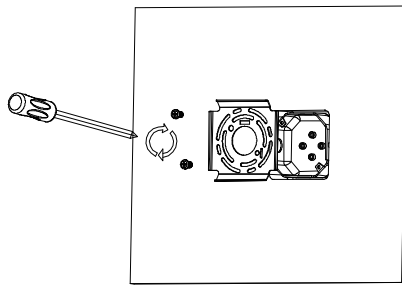


Fig. 2

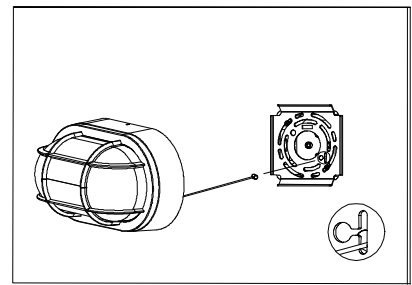
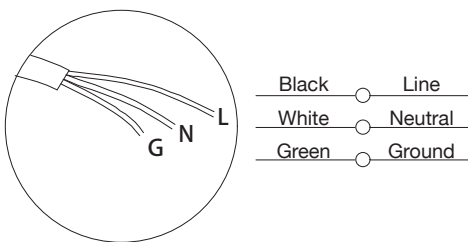


Fig. 3



Black — Line  
White — Neutral  
Green — Ground

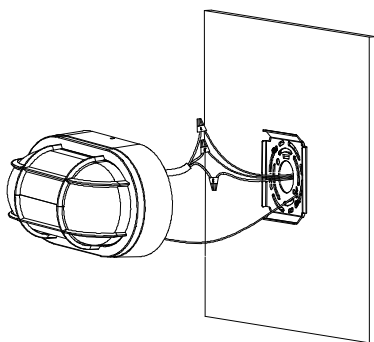


Fig. 4

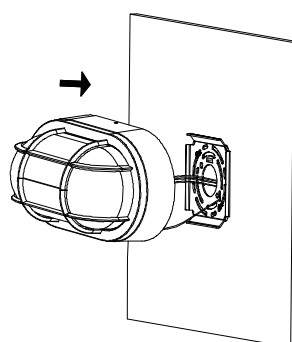


Fig. 5

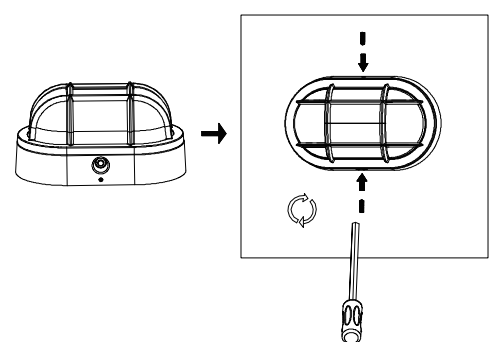
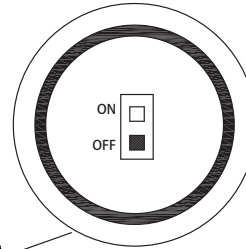
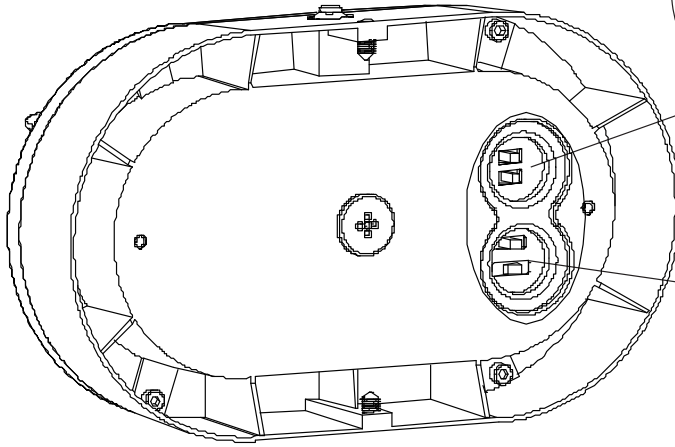


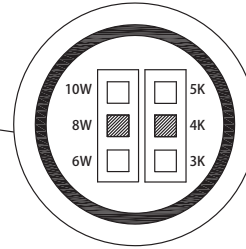
Fig. 6

# WATTAGE & CCT SELECTABLE GUIDANCE




Factory Default Setting:  
Watt: 20W  
CCT:5000K  
Photocell: ON



DIP Switch  
for Photocell



DIP Switch  
for 3-CCT Selectable  
& Wattage

	W = 20
	W = 16
	W = 12