

Slim Wall Pack: EGG-Line

With or Without Emergency

Wall Packs



Detail Specifications:

- Finish: Bronze, Custom finishes available
- IP Rating: Wet Location
- Impact Rating: IK08
- Wattage 15w: 1,950 Lumens
- 5W EMB: 680 Lumens
- Beam Angle: Type IV
- BUG: B1-U3-G1
- Chip: SMD 2835, R9 >50, CRI >80
- Operating Temperature: -40° - 122° F
- Lens: Clear acrylic
- Average life (L70) of 70,000 hours

Applications:

- Walkways & Pathways
- Parking Lots
- Hospitality, Multi-Family
- Outdoor Corridors
- Residential, Commercial and Industrial

Product Information:

- Sturdy die-cast aluminum housing finished with corrosion free powder coat
- Photocell is included with an easy quick disconnect
- Available in quick ship with emergency backup
- Instant-On to full brightness
- Select-n-Switch Technology: 3-CCT

Driver Options:

- UNV: 120-277V 0-10V Dimmable
- Built in 6Kv Surge Protector
- THD: <20% (+/-5% tolerance), PF >0.9, 50/60Hz

Mounting & Installation:

- Three 1/2" knockouts: 1 one each side for convenient installation

Certifications:

- UL Listed for USA and CA
- DLC Listed
- ROHS Compliant
- Approved for CA T24
- 5 Year Limited Warranty
- FCC CFR 47, GCC Part 15, Subpart B:2017

Series	Photocell	Finish ¹	Emergency Backup
LED-WPE-15W-TRI - PC 1,950 Lumens	Photo cell is included. Easy quick disconnect. (PC-3/4-3PIN-LV)	BZ Bronze (Standard) BL¹ Black WH¹ White GRY¹ Gray CS¹ Custom Color	(blank) No Emergency EMB 90 minute 5W Emergency Backup 80 Lumens

1. Standard quickship is bronze. Other colors are custom finishes

Specs and model numbers are subject to change with or without notice.

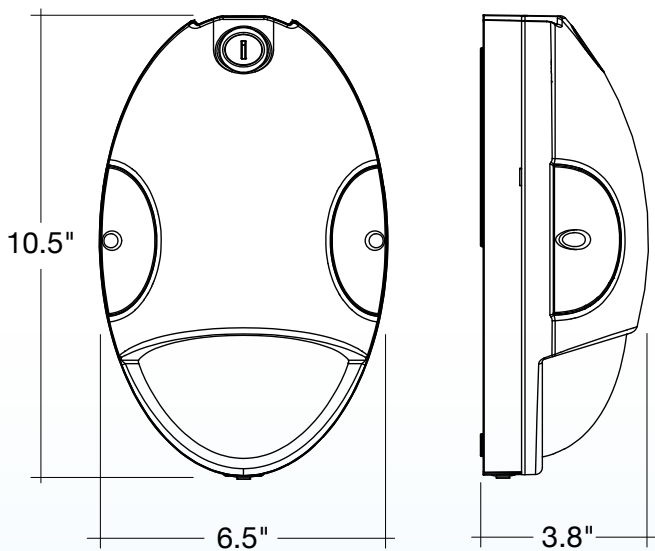
Slim Wall Pack: EGG-Line

With or Without Emergency

FEATURES



DIMENSIONS



Model	Voltage	Watts	Lumens	Color	CRI
LED-WPE-15W-TRI-PC-BZ	120-277V	15w	1950	30/40/50k	>80
LED-WPE-15W-TRI-PC-BZ-EMB	120-277V	15w	1950	30/40/50k	>80