

# Slim Wall Pack: EGG-Line

## With or Without Emergency

Wall Packs



### Detail Specifications:

- Finish: Bronze, Custom finishes available
- IP Rating: Wet Location
- Impact Rating: IK08
- Wattage 15w: 1,950 Lumens  
 - 5W EMB: 680 Lumens
- Beam Angle: Type IV
- BUG: B1-U3-G1
- Chip: SMD 2835, R9 >50, CRI >80
- Operating Temperature: -40° - 122° F
- Lens: Clear acrylic
- Average life (L70) of 70,000 hours

### Applications:

- Walkways & Pathways
- Parking Lots
- Hospitality, Multi-Family
- Outdoor Corridors
- Residential, Commercial and Industrial

### Product Information:

- Sturdy die-cast aluminum housing finished with corrosion free powder coat
- Photocell is included with an easy quick disconnect
- Available in quick ship with emergency backup
- Instant-On to full brightness
- Select-n-Switch Technology: 3-CCT

### Driver Options:

- UNV: 120-277V 0-10V Dimmable
- Built in 6Kv Surge Protector
- THD: <20% (+/-5% tolerance), PF >0.9, 50/60Hz

### Mounting & Installation:

- Three 1/2" knockouts: 1 one each side for convenient installation

### Certifications:

- UL Listed for USA and CA
- DLC Listed
- ROHS Compliant
- Approved for CA T24
- 5 Year Limited Warranty
- FCC CFR 47, GCC Part 15, Subpart B:2017

Series	Photocell	Finish <sup>1</sup>	Emergency Backup
<b>LED-WPE-15W-TRI - PC</b> 1,950 Lumens	is included. Easy quick disconnect. (PC-3/4-3PIN-LV)	<b>BZ</b> Bronze (Standard) <b>BL<sup>1</sup></b> Black <b>WH<sup>1</sup></b> White <b>GRY<sup>1</sup></b> Gray <b>CS<sup>1</sup></b> Custom Color	<b>(blank)</b> No Emergency <b>EMB</b> 90 minute 5W Emergency Backup 80 Lumens

1. Standard quickship is bronze. Other colors are custom finishes

Specs and model numbers are subject to change with or without notice.

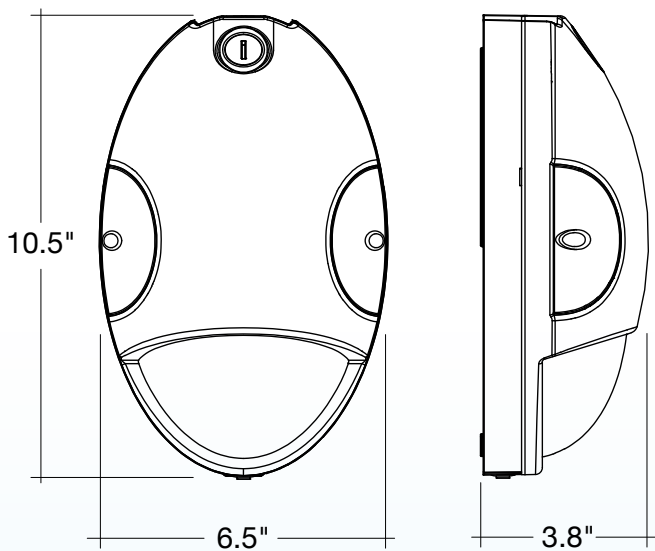
# Slim Wall Pack: EGG-Line

## With or Without Emergency

### FEATURES



### DIMENSIONS



Model	Voltage	Watts	Lumens	Color	CRI
LED-WPE-15W-TRI-PC-BZ	120-277V	15w	1950	30/40/50k	>80
LED-WPE-15W-TRI-PC-BZ-EMB	120-277V	15w	1950	30/40/50k	>80