

# OPTIC-Line: Traditional Wall Pack

## 3-CCT + 3-Power + Photocell + Optic Selectable

Wall Packs



### Detail Specifications:

- Finish: Bronze, Black, White
- IP Rating: Wet Location
- Impact Rating: IK08
- Beam Angle Selectable: Narrow, Medium, Wide
- Chip: SMD 2835, R9 >50, CRI >80
- Operating Temperature: -40° - 133° F
- Lens: Glass Lens
- Average life (L70) of 70,000 hours

### Applications:

- Walkways & Pathways
- Parking Lots
- Hospitality, Multi-Family
- Outdoor Corridors
- Residential, Commercial and Industrial

### Product Information:

- Sturdy die-cast aluminum housing finished with corrosion free powder coat
- Traditional metal-halide wall pack size
- Selectable Photocell
- Instant-On to full brightness
- Select-n-Switch Technology: 3-CCT + 3-Power Selectable
  - Fixtures are preset to 5000k & max wattage
- Control Options:
  - Standard Sensors
  - SILVAIR Bluetooth Mesh
  - ENVISIONLS Bluetooth
  - [Click Here](#) for More Information

### Driver Options:

- CUNV: 120-347V 0-10V Dimmable
- HV: 277-480V 0-10V Dimmable
- Built in 6Kv Surge Protector
- THD: <20% (+/-5% tolerance), PF >0.9, 50/60Hz

### Mounting & Installation:

- Five 1/2" knockouts: 1 one each side for convenient installation

### Certifications:

- UL Listed for USA and CA
- DLC Premium Listed
  - 3P60: S-TN3G7Y
  - 3P120: S-X9QXSK
- ROHS Compliant
- Approved for CA T24
- 5 Year Limited Warranty
- FCC CFR 47, GCC Part 15, Subpart B:2017

3P60		3P120	
WATT	LUMENS	WATT	LUMENS
40	5,800	80	11,600
50	7,250	100	14,500
60	8,700	120	17,400

Series	Wattage	Color Temp TRI	Finish	Photocell PC	Voltage	Sensor <sup>2</sup>	Emergency	Surge Protector	Optional Accessories (Order Separately)
<b>LED-WPFA -</b>	<b>3P60</b> 60/50 40W	30/40 50K	<b>BZ</b> Bronze (Standard)	Photocell is included. Easy quick disconnect. (PC-3/4-3PIN-LV)	<b>CUNV</b> 120-347V	<b>(Blank)</b> No Sensor	<b>(Blank)</b> No Emergency	<b>(Blank)</b> 6KV Built In	<b>Remote for Sensors</b>  <b>S-LINE-R</b> S-Line Remote
	<b>3P120</b> 120/100 80W		<b>BL</b> Black		<b>HV</b> 277-480V	<b>BMS</b> Bi-Level Motion + Daylight Sensor Remote Required: (S-LINE-R)	<b>EMB</b> 90 Minute Emergency Backup	<b>20KV</b> 20KV Surge Protector	
			<b>WH</b> White			<b>BMS-BT</b> PIR ENVISIONLS Bluetooth Control	<b>CEMB</b> 90 Minute Emergency Backup Cold Weather -4-120F		
			<b>GRY<sup>1</sup></b> Gray			<b>BMS-SL</b> PIR SILVAIR luetooth Mesh			
			<b>CS<sup>1</sup></b> Custom Color						

1. Standard quickship is bronze, black, & white. Other colors are custom finishes.

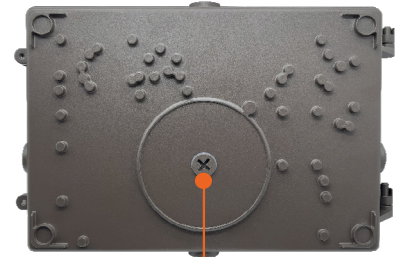
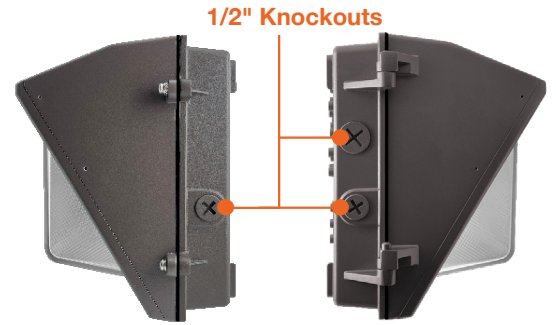
2. Sensors require remote for programming

Specs and model numbers are subject to change with or without notice.

# OPTIC-Line: Traditional Wall Pack

3-CCT + 3-Power + Photocell + Optic Selectable

## FEATURES



1/2" Knockouts

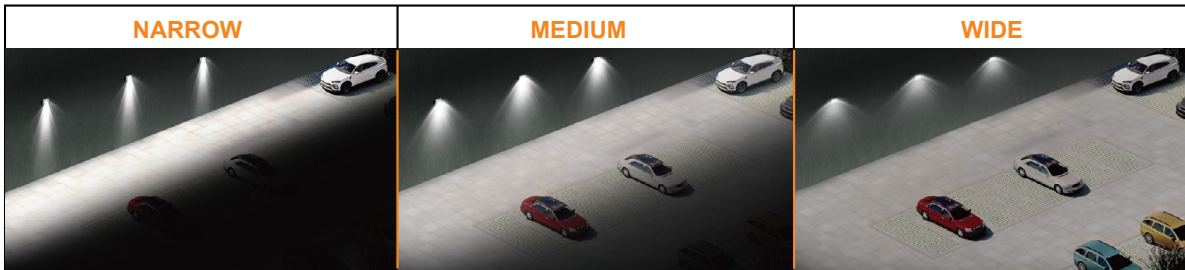


Photocell

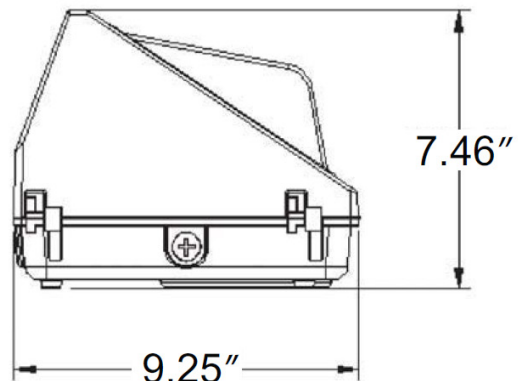
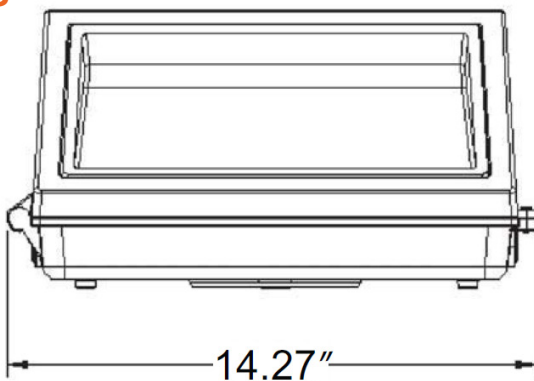


1/2" Knockouts

OPTIC ADJUSTABLE	3-WATT SELECTABLE	3-CCT SELECTABLE	PHOTOCELL
<p>Narrow Medium Wide</p>	<p><b>3P60</b></p> <p>60W 50W 40W</p> <p><b>3P120</b></p> <p>120W 100W 80W</p>	<p>5000K 4000K 3000K</p>	<p>ON/OFF PHOTOCELL</p>



## DIMENSIONS



# OPTIC-Line: Traditional Wall Pack

## 3-CCT + 3-Power + Photocell + Optic Selectable



**S-LINE-R**

### WALL PACK

Model	Voltage	Watts	Lumens	Color	CRI
LED-WPFA-3P60-TRI-BZ-CUNV-PC	120-347V	60/50/40w	8,700/7,250/5,800	30/40/50k	>80
LED-WPFA-3P60-TRI-BL-CUNV-PC	120-347V	60/50/40w	8,700/7,250/5,800	30/40/50k	>80
LED-WPFA-3P60-TRI-WH-CUNV-PC	120-347V	60/50/40w	8,700/7,250/5,800	30/40/50k	>80
LED-WPFA-3P120-TRI-BZ-CUNV-PC	120-347V	120/100/80w	17,400/14,500/11,600	30/40/50k	>80
LED-WPFA-3P120-TRI-BL-CUNV-PC	120-347V	120/100/80w	17,400/14,500/11,600	30/40/50k	>80
LED-WPFA-3P120-TRI-WH-CUNV-PC	120-347V	120/100/80w	17,400/14,500/11,600	30/40/50k	>80

### REMOTE CONTROL

Accessory Model	Description
S-LINE-R	Remote for S-LINE Series Sensors

### ACCESSORIES

Accessory Model	Description
WPF-SHIELD	Cut Off Shield for WPF Wall Packs
WPF-WG	Wire Guard for WPF Wall Packs

### SENSORS

Pre-Installed Accessory Model	Description
Add '-BMS' to model #	S-BMS-EXT-1: Bi level motion + daylight sensor
Add '-BMS-BT' to model #	S-BMS-EXT-1-BT: Bi level motion + daylight sensor W/ bluetooth control (EnvisioLS App)
Add: -BMS-SIL to Model #	SILVAIR Enable Bluetooth Control: PIR/Daylight/Zoning/Monitoring

# Control Options

EnVision LED offers 3 control systems compatible with our LED Fixtures for projects of all sizes and budgets.

	Basic Controls	EnVisionLS 	EnVisionLED.x SILVAIR 
<b>Description</b>	Standard Plug In Sensors	Basic Bluetooth Wireless Control	Advanced Bluetooth Wireless Control
<b>Recommended Quantity</b> (but not limited to)	N/A	>40-50 Nodes	>50 Nodes
<b>Maximum Zone Quantity</b>	N/A	100	3,000
<b>Commissioning Tool</b>	Remote Only	  ENVISIONLS App 	  SILVAIR App 
<b>Commissioning Process</b>	Individually Set via Remote	Wireless Must be done on site	Wireless- Initial linking must be done on site. Commissioning can be done via desktop remotely.
<b>Floor Plan Upload</b>	N/A	N/A	Yes Add a floor plan and mark luminaires & zones via desktop
<b>Gateway</b>	N/A	N/A	Required only for energy monitoring, advanced scheduling, automated demand response.
<b>Individual Luminaire Control</b>	Yes	Yes	Yes
<b>Luminaire Grouping Zoning</b>	N/A	Yes	Yes
<b>High End Power Low End Power</b>	Yes but limited (View Remote)	Yes	Yes
<b>Cost</b>	\$	\$\$	\$\$\$
<b>DLC NLC Listed</b>	N/A	Yes	Yes
<b>Energy Monitoring &amp; Data Reporting</b>	N/A	N/A	Monitor energy usage per individual zone & retrofit cost savings calculation + detailed reporting



# Compatible Products:

EnVision offers a variety of nodes, sensors, & gateways that are controlled via remote, ENVISIONLS Bluetooth Mesh & SILVAIR Bluetooth Mesh on all of our 0-10V dimmable fixtures.



## Individual Fixture Controls: PIR Sensor, Bi-Level Dimming, Daylight

Basic Note: **-1** • ENVISIONLS Models Note: **-BT** • SILVAIR Models Note: **-SL**

	MODEL #	DESIGN	RECOMMENDED FIXTURE	FEATURES
	<b>S-TWC-PIR-1</b> <b>S-TWC-PIR-BT</b> <b>S-TWC-PIR-SL</b>	Twist-C Control Sensor	Sensor Ready Fixtures: Area Lights, Canopies, Flood Lights, High Bays	All models are equipped with PIR occupancy sensing, high & low end bi-level dimming, & daylight sensing.
	<b>S-TWC-90 + S-TWC-PIR-1</b> <b>S-TWC-90 + S-TWC-PIR-BT</b> <b>S-TWC-90 + S-TWC-PIR-SL</b>	Twist-C Control Sensor + 90 Degree Arm	Cylinders, Strips, Wall Packs	
	<b>S-AUD-PIR-1</b> <b>S-AUD-PIR-BT</b> <b>S-AUD-PIR-SL</b>	2.5m Audio Jack	Panels & Troffers	
	<b>S-SN-PIR-1</b> <b>S-SN-PIR-BT</b> <b>S-SN-PIR-SL</b>	Snap In Sensor	Troffers & Wraps	

## Group Controls ENVISIONLS Models Note : **-BT** • SILVAIR Models Note: **-SL**

	MODEL #	DESIGN	VOLTAGE	FEATURES	RECOMMENDED FEATURES
	<b>S-CM-PIR-LV-BT</b> <b>S-CM-PIR-LV-SL</b>	Ceiling Mounted PIR Sensor	12-24V	PIR Sensor, Bi-Level Dimming, Daylight, 360° detection, 12' Max Mounting Height	Connects to 0-10V dimmable fixtures
	<b>S-WM-PIR-CUNV-BT</b> <b>S-WM-PIR-CUNV-SL</b>	Wall Mounted PIR Occupancy Sensor, Bi-Level Dimming, Daylight	120-277V	On/Off PIR occupancy sensor, 180° detection, 30' detection @ 4' Mounting Height	Connects to LED fixtures
	<b>S-WS-120V-USB-SL</b>		120V	Dimming Wall Socket, Two Sockets	Floor Lamps, Other Lamps

## Gateway (Silvair Only) 4.5–5.5 V DC, 2A Power over Ethernet 36–57 V DC

	MODEL #	DESIGN	VOLTAGE	FEATURES	RECOMMENDED FEATURES
	<b>SGW-102</b>	Wall or Ceiling Mounted	POE	Advanced Energy Monitoring Control	Connects to Silvair Controls. Gateway is not required.