

OPTIC-Line: Traditional Wall Pack

3-CCT + 3-Power + Photocell + Optic Selectable

Wall Packs



Detail Specifications:

- Finish: Bronze, Black, White
- IP Rating: Wet Location
- Impact Rating: IK08
- Beam Angle Selectable: Narrow, Medium, Wide
- Chip: SMD 2835, R9 >50, CRI >80
- Operating Temperature: -40° - 133° F
- Lens: Glass Lens
- Average life (L70) of 70,000 hours

Applications:

- Walkways & Pathways
- Parking Lots
- Hospitality, Multi-Family
- Outdoor Corridors
- Residential, Commercial and Industrial

Product Information:

- Sturdy die-cast aluminum housing finished with corrosion free powder coat
- Traditional metal-halide wall pack size
- Selectable Photocell
- Instant-On to full brightness
- Select-n-Switch Technology: 3-CCT + 3-Power Selectable
 - Fixtures are preset to 5000k & max wattage
- Control Options:
 - Standard Sensors
 - SILVAIR Bluetooth Mesh
 - ENVISIONLS Bluetooth
 - [Click Here](#) for More Information

Driver Options:

- CUNV: 120-347V 0-10V Dimmable
- HV: 277-480V 0-10V Dimmable
- Built in 6Kv Surge Protector
- THD: <20% (+/-5% tolerance), PF >0.9, 50/60Hz

Mounting & Installation:

- Five 1/2" knockouts: 1 one each side for convenient installation

Certifications:

- UL Listed for USA and CA
- DLC Premium Listed
 - 3P60: S-TN3G7Y
 - 3P120: S-X9QXSK
- ROHS Compliant
- Approved for CA T24
- 5 Year Limited Warranty
- FCC CFR 47, GCC Part 15, Subpart B:2017

3P60		3P120	
WATT	LUMENS	WATT	LUMENS
40	5,800	80	11,600
50	7,250	100	14,500
60	8,700	120	17,400

Series	Wattage	Color Temp TRI	Finish	Photocell PC	Voltage	Sensor ²	Emergency	Surge Protector	Optional Accessories (Order Separately)
LED-WPFA -	3P60 60/50 40W	30/40 50K	BZ Bronze (Standard)	Photocell is included. Easy quick disconnect. (PC-3/4-3PIN-LV)	CUNV 120-347V	(Blank) No Sensor	(Blank) No Emergency	(Blank) 6KV Built In	Remote for Sensors S-LINE-R S-Line Remote
	3P120 120/100 80W		BL Black		HV 277-480V	BMS Bi-Level Motion + Daylight Sensor Remote Required: (S-LINE-R)	EMB 90 Minute Emergency Backup	20KV 20KV Surge Protector	
			WH White			BMS-BT PIR ENVISIONLS Bluetooth Control	CEMB 90 Minute Emergency Backup		
			GRY¹ Gray			BMS-SL PIR SILVAIR luetooth Mesh	EMB Cold Weather -4-120F		
			CS¹ Custom Color						

1. Standard quickship is bronze, black, & white. Other colors are custom finishes.

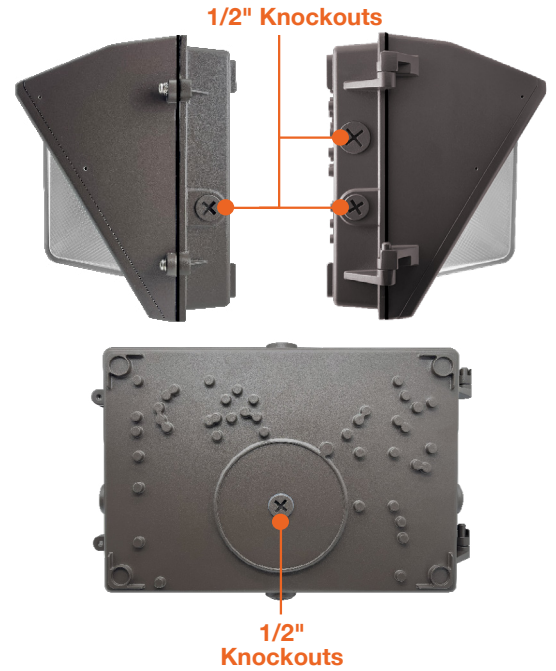
2. Sensors require remote for programming

Specs and model numbers are subject to change with or without notice.

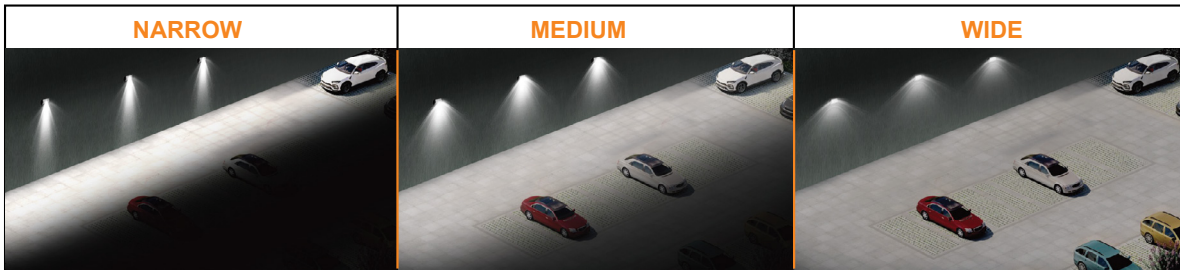
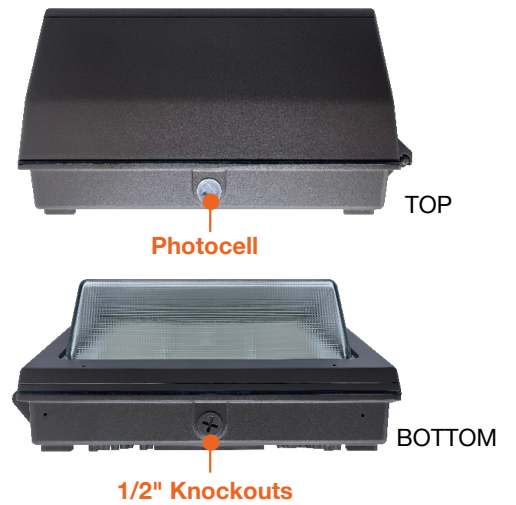
OPTIC-Line: Traditional Wall Pack

3-CCT + 3-Power + Photocell + Optic Selectable

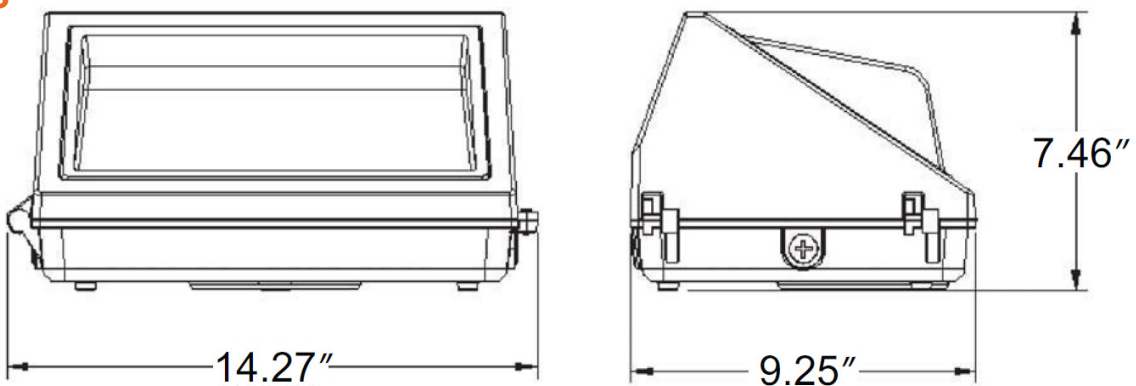
FEATURES



OPTIC ADJUSTABLE	3-WATT SELECTABLE	3-CCT SELECTABLE	PHOTOCELL
<p>Narrow Medium Wide</p>	<p>3P60</p> <p>60W 50W 40W</p> <p>3P120</p> <p>120W 100W 80W</p>	<p>5000K 4000K 3000K</p>	<p>ON/OFF PHOTOCELL</p>



DIMENSIONS



OPTIC-Line: Traditional Wall Pack

3-CCT + 3-Power + Photocell + Optic Selectable



S-LINE-R

WALL PACK

Model	Voltage	Watts	Lumens	Color	CRI
LED-WPFA-3P60-TRI-BZ-CUNV-PC	120-347V	60/50/40w	8,700/7,250/5,800	30/40/50k	>80
LED-WPFA-3P60-TRI-BL-CUNV-PC	120-347V	60/50/40w	8,700/7,250/5,800	30/40/50k	>80
LED-WPFA-3P60-TRI-WH-CUNV-PC	120-347V	60/50/40w	8,700/7,250/5,800	30/40/50k	>80
LED-WPFA-3P120-TRI-BZ-CUNV-PC	120-347V	120/100/80w	17,400/14,500/11,600	30/40/50k	>80
LED-WPFA-3P120-TRI-BL-CUNV-PC	120-347V	120/100/80w	17,400/14,500/11,600	30/40/50k	>80
LED-WPFA-3P120-TRI-WH-CUNV-PC	120-347V	120/100/80w	17,400/14,500/11,600	30/40/50k	>80

REMOTE CONTROL

Accessory Model	Description
S-LINE-R	Remote for S-LINE Series Sensors

ACCESSORIES

Accessory Model	Description
WPF-SHIELD	Cut Off Shield for WPF Wall Packs
WPF-WG	Wire Guard for WPF Wall Packs

SENSORS

Pre-Installed Accessory Model	Description
Add '-BMS' to model #	S-BMS-EXT-1: Bi level motion + daylight sensor
Add '-BMS-BT' to model #	S-BMS-EXT-1-BT: Bi level motion + daylight sensor W/ bluetooth control (EnvisioLS App)
Add: -BMS-SIL to Model #	SILVAIR Enable Bluetooth Control: PIR/Daylight/Zoning/Monitoring

Control Options

EnVision LED offers 3 control systems compatible with our LED Fixtures for projects of all sizes and budgets.

	Basic Controls	EnVisionLS 	EnVisionLED.x SILVAIR 
Description	Standard Plug In Sensors	Basic Bluetooth Wireless Control	Advanced Bluetooth Wireless Control
Recommended Quantity (but not limited to)	N/A	>40-50 Nodes	>50 Nodes
Maximum Zone Quantity	N/A	100	3,000
Commissioning Tool	Remote Only	  ENVISIONLS App 	  SILVAIR App 
Commissioning Process	Individually Set via Remote	Wireless Must be done on site	Wireless- Initial linking must be done on site. Commissioning can be done via desktop remotely.
Floor Plan Upload	N/A	N/A	Yes Add a floor plan and mark luminaires & zones via desktop
Gateway	N/A	N/A	Required only for energy monitoring, advanced scheduling, automated demand response.
Individual Luminaire Control	Yes	Yes	Yes
Luminaire Grouping Zoning	N/A	Yes	Yes
High End Power Low End Power	Yes but limited (View Remote)	Yes	Yes
Cost	\$	\$\$	\$\$\$
DLC NLC Listed	N/A	Yes	Yes
Energy Monitoring & Data Reporting	N/A	N/A	Monitor energy usage per individual zone & retrofit cost savings calculation + detailed reporting



Compatible Products:

EnVision offers a variety of nodes, sensors, & gateways that are controlled via remote, ENVISIONLS Bluetooth Mesh & SILVAIR Bluetooth Mesh on all of our 0-10V dimmable fixtures.



Individual Fixture Controls: PIR Sensor, Bi-Level Dimming, Daylight

Basic Note: **-1** • ENVISIONLS Models Note: **-BT** • SILVAIR Models Note: **-SL**

	MODEL #	DESIGN	RECOMMENDED FIXTURE	FEATURES
	S-TWC-PIR-1 S-TWC-PIR-BT S-TWC-PIR-SL	Twist-C Control Sensor	Sensor Ready Fixtures: Area Lights, Canopies, Flood Lights, High Bays	All models are equipped with PIR occupancy sensing, high & low end bi-level dimming, & daylight sensing.
	S-TWC-90 + S-TWC-PIR-1 S-TWC-90 + S-TWC-PIR-BT S-TWC-90 + S-TWC-PIR-SL	Twist-C Control Sensor + 90 Degree Arm	Cylinders, Strips, Wall Packs	
	S-AUD-PIR-1 S-AUD-PIR-BT S-AUD-PIR-SL	2.5m Audio Jack	Panels & Troffers	
	S-SN-PIR-1 S-SN-PIR-BT S-SN-PIR-SL	Snap In Sensor	Troffers & Wraps	

Group Controls ENVISIONLS Models Note : **-BT** • SILVAIR Models Note: **-SL**

	MODEL #	DESIGN	VOLTAGE	FEATURES	RECOMMENDED FEATURES
	S-CM-PIR-LV-BT S-CM-PIR-LV-SL	Ceiling Mounted PIR Sensor	12-24V	PIR Sensor, Bi-Level Dimming, Daylight, 360° detection, 12' Max Mounting Height	Connects to 0-10V dimmable fixtures
	S-WM-PIR-CUNV-BT S-WM-PIR-CUNV-SL	Wall Mounted PIR Occupancy Sensor, Bi-Level Dimming, Daylight	120-277V	On/Off PIR occupancy sensor, 180° detection, 30' detection @ 4' Mounting Height	Connects to LED fixtures
	S-WS-120V-USB-SL		120V	Dimming Wall Socket, Two Sockets	Floor Lamps, Other Lamps

Gateway (Silvair Only) 4.5–5.5 V DC, 2A Power over Ethernet 36–57 V DC

	MODEL #	DESIGN	VOLTAGE	FEATURES	RECOMMENDED FEATURES
	SGW-102	Wall or Ceiling Mounted	POE	Advanced Energy Monitoring Control	Connects to Silvair Controls. Gateway is not required.