

# LED Full Cutoff Wall Pack Instructions

## APPLICATION

Available in industrial lighting, landscape lighting, courtyard, building, hotel, building exterior, etc.

## CAUTION

1. Can not use an electric generator to test the LED lamp.
2. Please abide by related country, regional and local law and regulations when to install the fixture.
3. Please do not install the fixture when raining to lower the risk of electric shock and avoid failure.

## NOTE

1. To avoid possibility of electrical shock or fire, the installation personnel must have professional electrical knowledge.
2. Wear gloves to avoid injury during installation.
3. If any smoke or spark of the wire occurs, please turn off the power immediately and notify relevant personnel.

## INSTALLATION I

1. Take out the light, loosen the screws on the cover and take apart the fixture with a screwdriver. Pull off the quick connect terminal (Figure 1-1A & 1-1B)

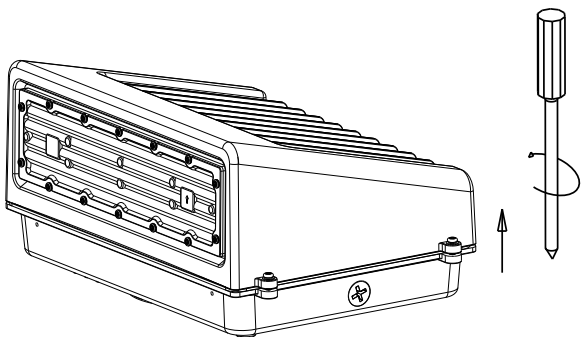


Fig. 1-1A

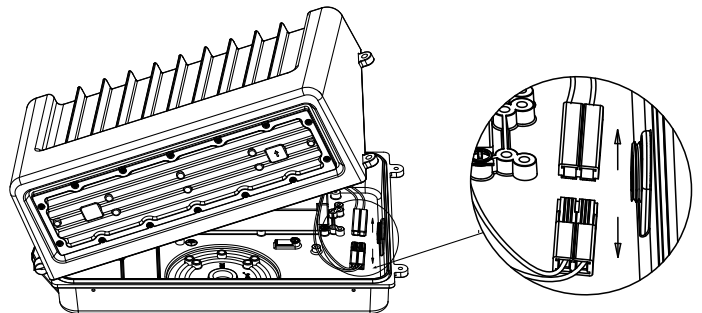


Fig. 1-1B

2. Drill installation holes at the bottom of the fixture, paste the EVA mat. (Figure 1-2A & 1-2B)

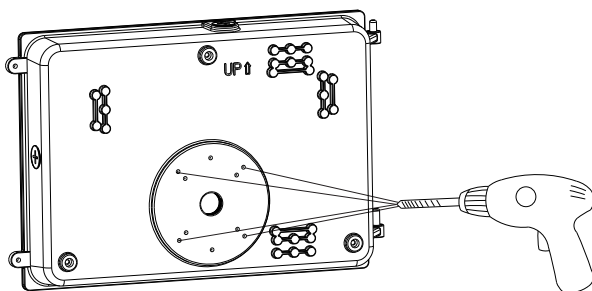


Fig. 1-2A

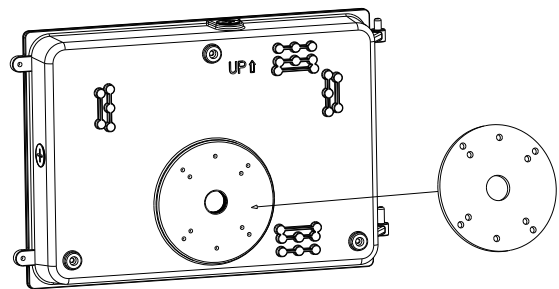


Fig. 1-2B

3. Loosen the plug on the bottom plate, then put the wiring through the hole, screw the bottom cover with the junction box on the wall. Fig. 1-3A & 1-3B

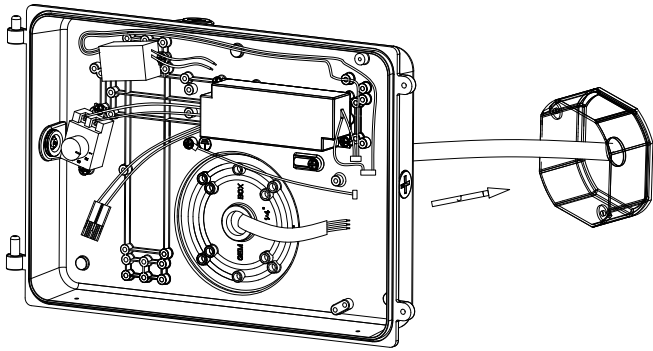


Fig. 1-3A

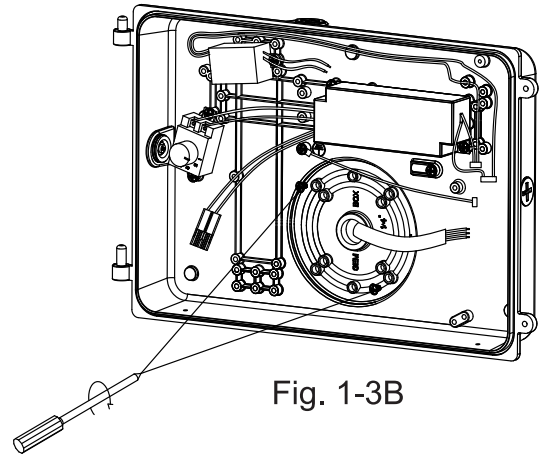


Fig. 1-3B

4. Make wire connections per “Electrical Connections” section and make sure the wire is protected (Fig. 1-4)

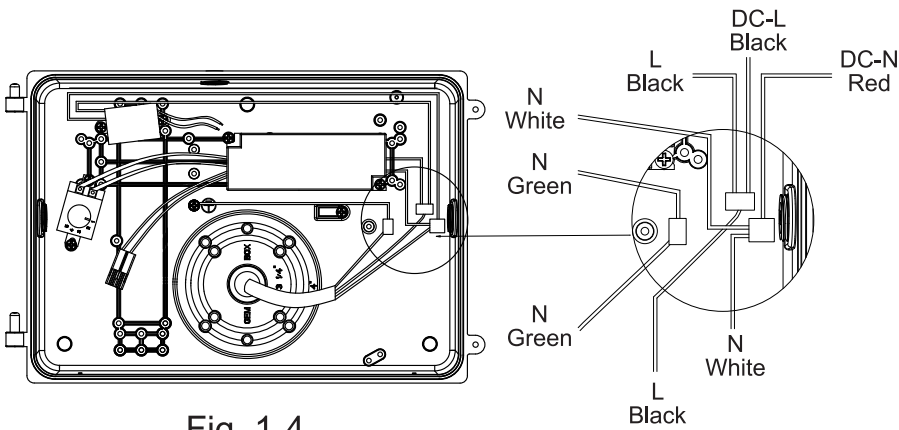
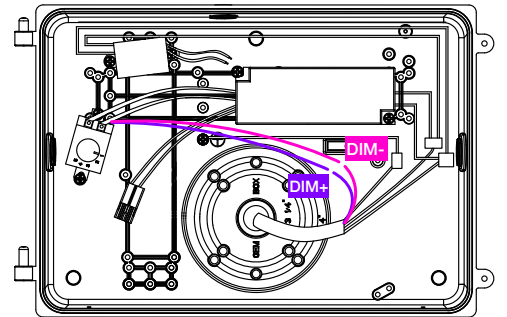


Fig. 1-4

### Dimming Wall Pack



5. Connect the quick connect terminal, then screw the fixture with bottom plate. (Fig. 1-5A & 1-5B)

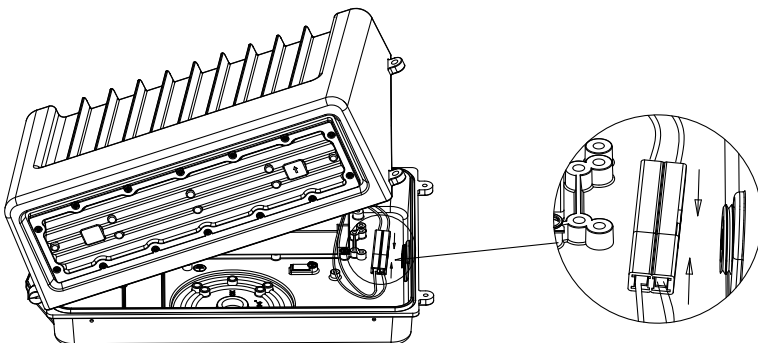


Fig. 1-5A

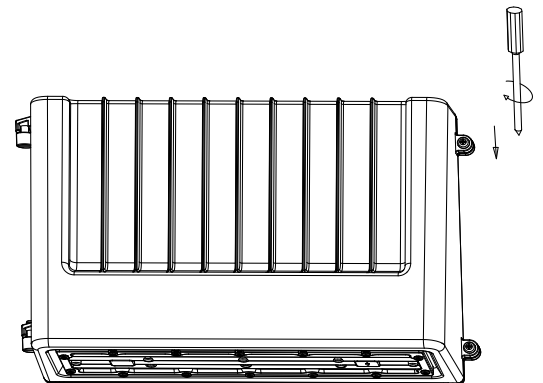


Fig. 1-5B

## INSTALLATION II

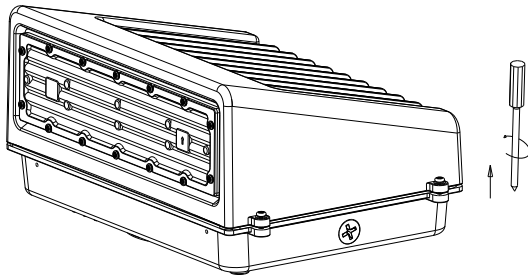


Fig. 2-1A

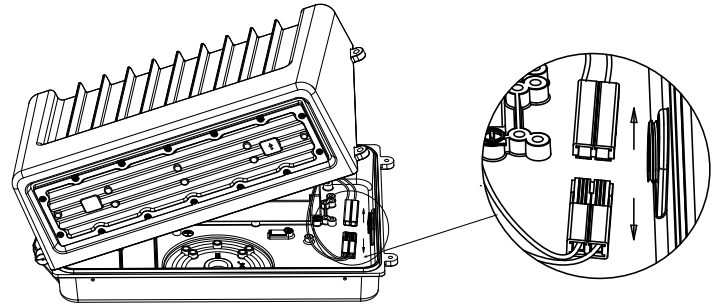


Fig. 2-1B

2. Rotate the three mounting kits to the proper angle. Put the fixture on the wall. Make 3 marks according to the 3 mounting kits, then drill three holes. (Fig. 2-2A)  
Get rubber plugs into the holes, match the 3 mounting kits to the rubber plugs, then place the fixture on the wall by screws with the spring washers and cushion (Fig. 2-2B & 2-2C)

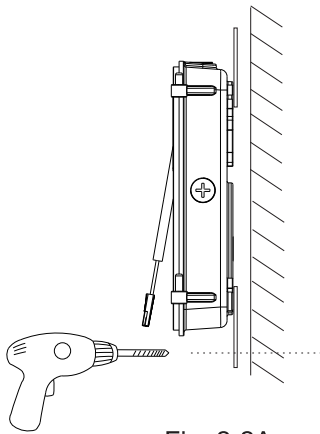


Fig. 2-2A

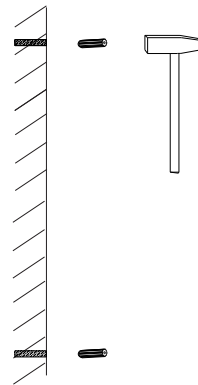


Fig. 2-2B

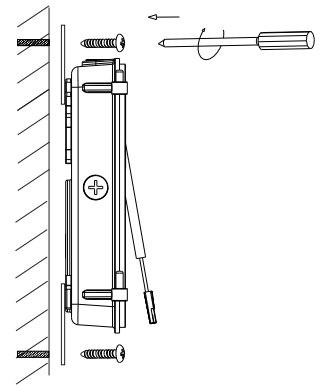


Fig. 2-2C

3. Make wiring connection from side and go through isolation treatment;  
Tighten the pipe on the luminaire (Fig. 2-3A & 2-3B)

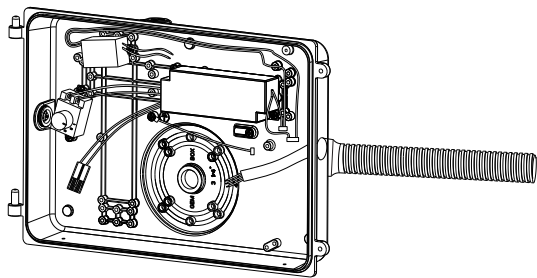


Fig. 2-3A

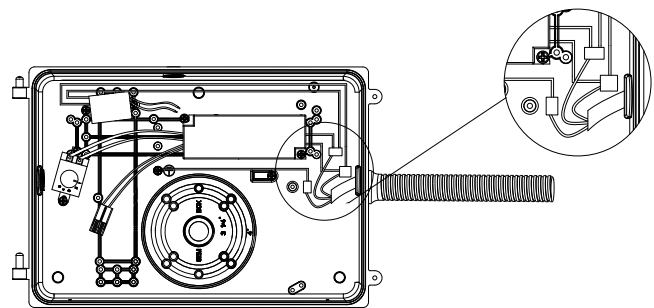


Fig. 2-3B

4. Connect the quick connect terminal, then screw the fixture with bottom plate. (Fig. 2-4A & 2-4B)

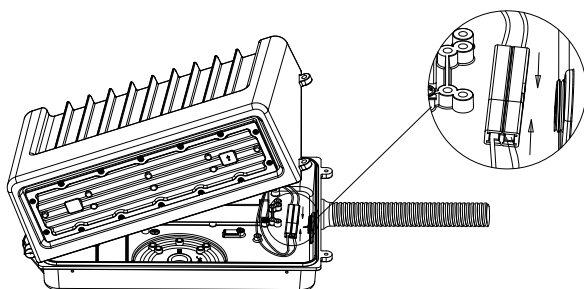


Fig. 2-4A

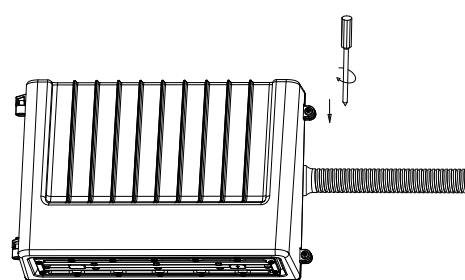


Fig. 2-4B