

# LED Wall Pack Light Instructions

## WARNING

1. Do not use an electric generator to test the LED lamp
2. This luminaire must be installed in accordance with your local electrical codes and requirements
3. Do not install the luminaire on rainy days, to avoid lightning strike and damage to luminaire.

## INSTALLATION NOTICE

1. This luminaire must be installed by a qualified electrician to avoid electric shock and fire accidents.
2. Wear gloves before installation in order to avoid injury.
3. Turn OFF the power immediately when there is smoke and fire during installation, inform professionals to overhaul.
4. This luminaire is suitable for outdoor use.

## INSTALLATION

STEP 1: Loosen the Screws on the side of the wall pack with an allen wrench and rotate the wall pack to 90° (Figure 1 & Figure 2)

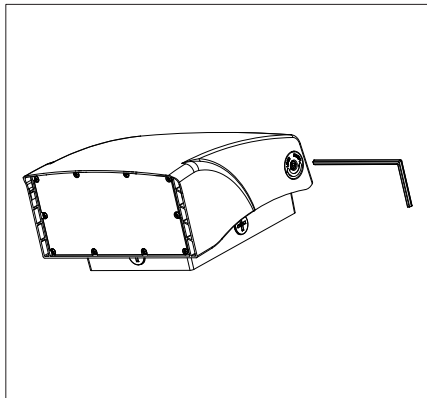


Figure 1

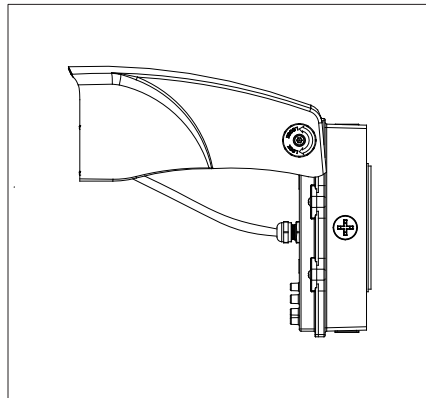


Figure 2

STEP 2: Use a screwdriver to remove the screws on the driver box cover and separate the driver box from the radiator (Figure 3 & Figure 4)

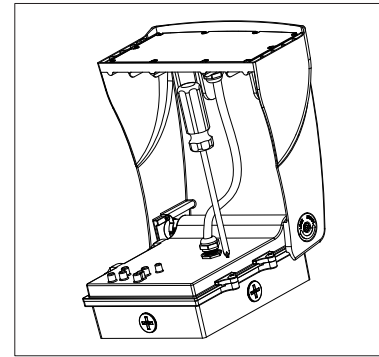


Figure 3

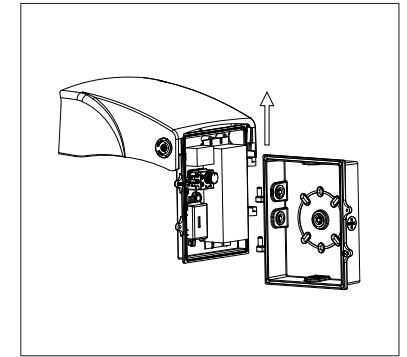


Figure 4

STEP 3: Drill an installation hole at the bottom of the light, paste the EVA mat (Figure 5 & Figure 6)

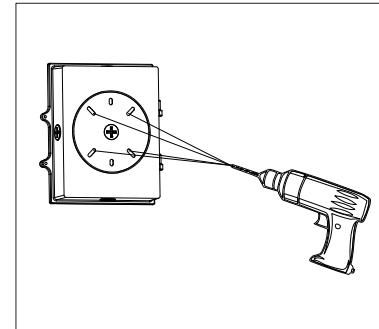


Figure 5

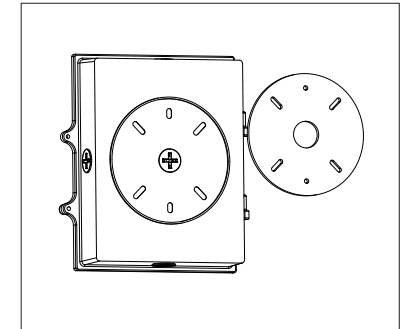


Figure 6

STEP 4: Drill holes on the wall according to the locating plate (Figure 7)

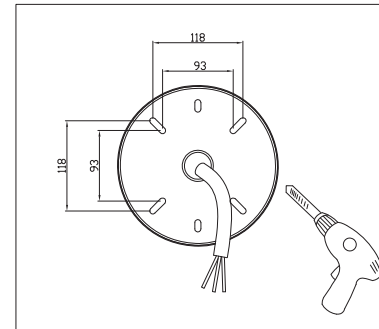


Figure 7

STEP 5: Fix rubber plugs into holes (Figure 8)

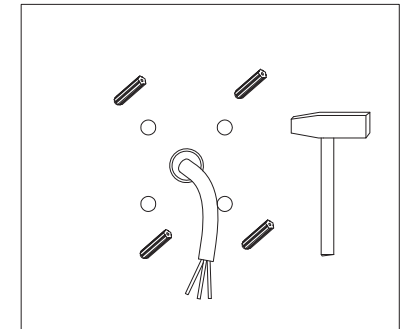


Figure 8

**STEP 6:** Align the holes on the lamp base with the holes on the wall and tighten the screws (Figure 9)

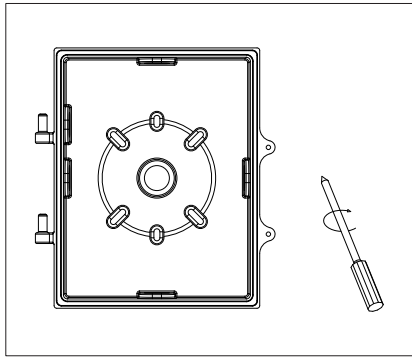


Figure 9

**STEP 7:** Fasten the radiator to the driver box and connect the wires properly (Figure 10 & Figure 11)

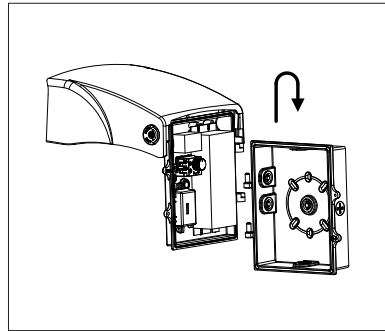


Figure 10

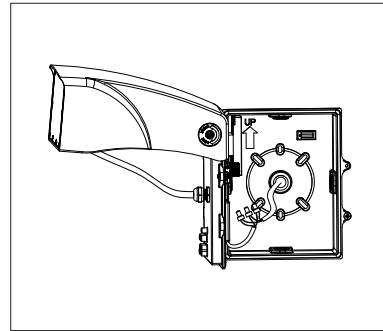


Figure 11

**STEP 8:** Well organize the line and tighten the screws of the lamp base (Figure 12 & Figure 13)

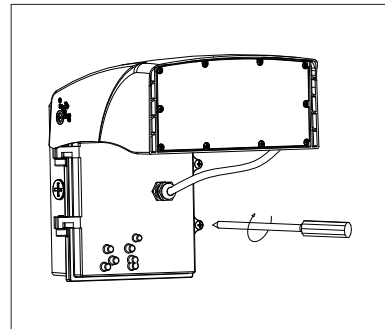


Figure 12

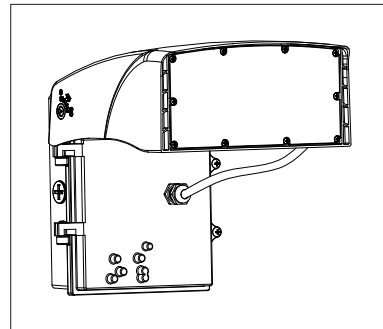


Figure 13

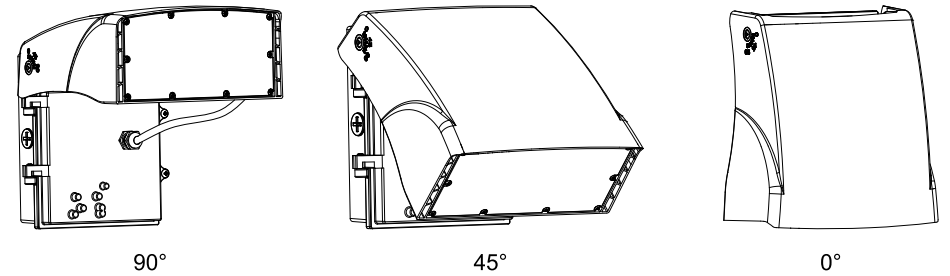
**STANDARD WIRE:**

L / Live Wire: Black/Brown

N / Null Wire: White/Blue

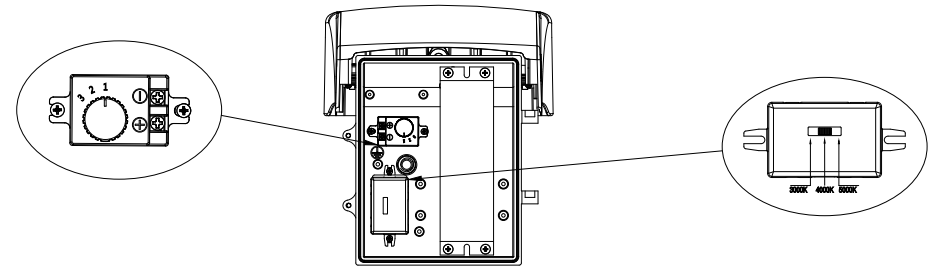
Ground Wire: Green/Yellow-Green

**NOTE:** To meet the requirements of DLC certification, lamps are limited to the same side of the light-emitting use, not in different directions of irradiation use (as shown below)



**CCT & WATTAGE ADJUSTMENT INSTRUCTIONS**

1. After the fixture is fixed (Step 9), adjust the CCT via a control switch as per your demand, with 3000K/4000K/5000K optional as shown in below picture.
2. After the fixture is adjusted (Step 9), adjust the wattage via a controlling knob as per your demand with 3 optional settings, as shown in picture below.



**WARNING**

MIN 194° F SUPPLY CONDUCTORS

THIS PRODUCT MUST BE INSTALLED IN ACCORDANCE WITH THE APPLICABLE INSTALLATION CODE BY A PERSON FAMILIAR WITH THE CONSTRUCTION AND OPERATION OF THE PRODUCT AND THE HAZARDS INVOLVED.

**ATTENTION**

CONDUCTEURS D'ALIMENTATION MIN 90° C

CE PRODUIT DOIT ÊTRE INSTALLÉ CONFORMÉMENT AUX CODE D'INSTALLATION PAR UNE PERSONNE FAMILIERE AVEC LA CONSTRUCTION ET FONCTIONNEMENT DU PRODUIT ET DANGERS IMPLIQUÉS.