

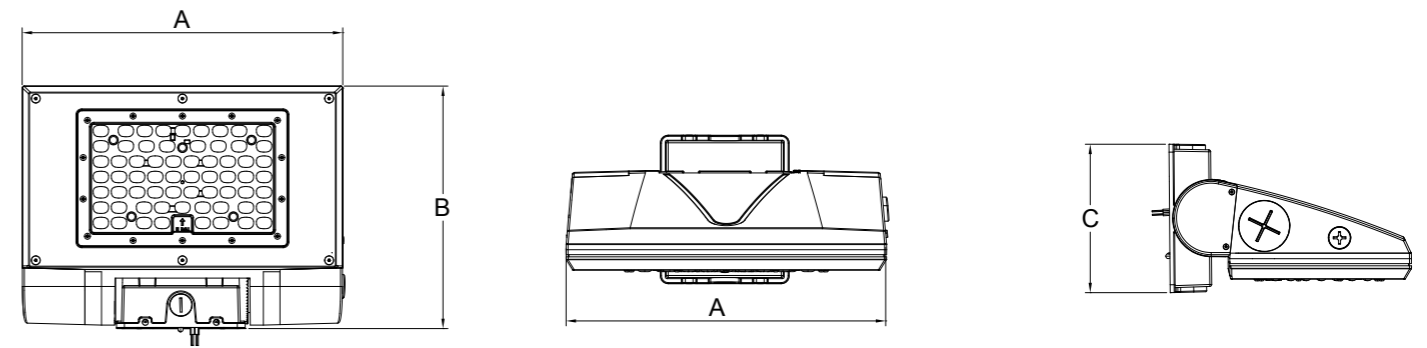
INSTALLATION INSTRUCTIONS FOR WALL PACKS



PLEASE READ AND UNDERSTAND THIS ENTIRE MANUAL BEFORE ATTEMPTING TO ASSEMBLE, OPERATE OR INSTALL THE PRODUCT.

Warning:

1. Please read this manual carefully before installation.
2. Lamp installers must be qualified as professional electricians.
3. The lamps are waterproof lamps for outdoor use. Non-professional technicians should not disassemble or modify the lamps at will.
4. After unpacking, if any wires are damaged or the lamp is deformed due to impact, do not repair it without authorization, and send it back to our company for inspection and repair together with the package.
5. Please turn off the power before installation to avoid electric shock due to improper operation.
6. Before installation, it is necessary to confirm whether the input voltage is consistent with the voltage on the label of the lamp, so as to avoid damage to the lamp due to mis-connection.
7. Some parts of the lamp are detachable: waterproof switch cover, silicone plug, limit top plate.
8. The waterproof switch cover on the side of the lamp is detachable. After adjusting the power and color temperature, remember to tighten it when you put it back. It is advisable that the outer surface of the switch cover is flush with the outer surface of the lamp side.
9. The lamps are installed with the light-emitting surface facing down by default. If you need to install the light-emitting surface facing up, you need to remove the limit top plate and install it on the opposition. See Figure 3 for details.
10. The lamps are installed by J-BOX on the wall by default. If you need to install on the wall surface, you need to purchase the relevant installation accessories separately (optional accessories package in Figure 1)
11. The light recommended installation height is 6-10m
12. When using our company's external junction box for installation, professional waterproof wiring hoses are required, and the pipe thread is American standard NPT1/2inch.

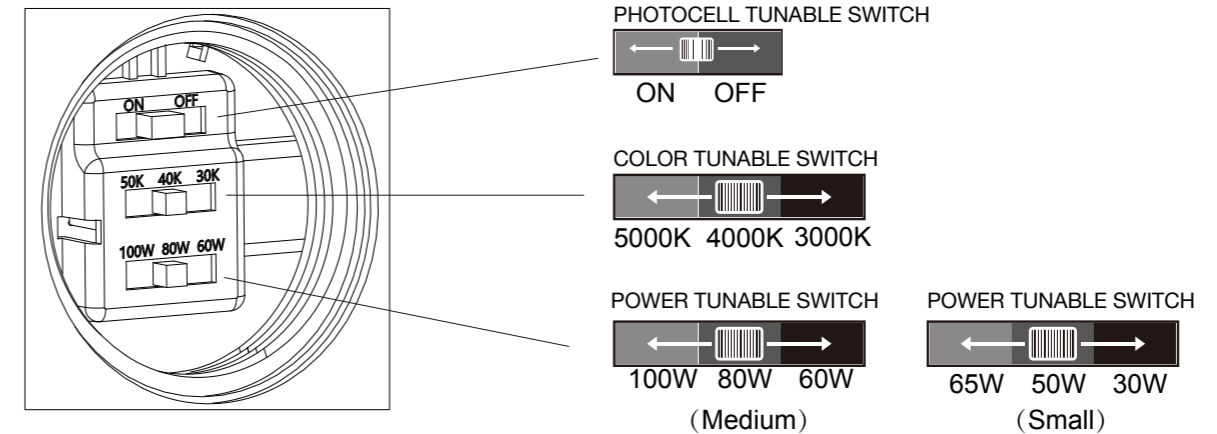


Function Description

1. Please refer to the table on the below for the relevant parameters of the lamp.

SPEC	Model	Input Voltage (V)		Power(W)	CCT(K)	Operating Temperature (°C)	
		With Emergency	Without Emergency			With Emergency	Without Emergency
Wall Pack Small	LED-WPFC-ARC-3P65-TRI-BZ-PC	100~277	100~347	30/50/65	3000/4000/5000	10-40	-25-40
Wall Pack Medium	LED-WPFC-ARC-3P100-TRI-BZ-PC	100~347	100~347	60/80/100	3000/4000/5000	10-40	-25-40

2. Three levels of power can be adjusted (Small: 30W/50W/65W; Medium 60W/80W/100W); three levels of color temperature can be adjusted (3000K/4000K/5000K); as shown in Figure 1, it can be seen when the waterproof switch cover is opened;



3. Photocell: When the ambient luminescence is lower than 15lx and has been below the luminance value for 45s, it will be automatically turned on; when the ambient illuminance is higher than 200lx and has been above the luminance value for 45s, it will be automatically turned off; therefore, when installing the lamp, it should be considered that the Photocell should not be placed in an environment with long-term light exposure, otherwise the ON/OFF function will be invalid. The ON/OFF function can also be freely selected by the customer according to the needs, and it can be adjusted by opening the waterproof switch cover, as shown in Figure 1.

4. Emergency function: emergency time ≥ 90 minutes.

5. The light-emitting side down can be adjusted in angle: 0°/5°/10°/15°/20°

The angle can be adjusted upwards on the light-emitting side: 0°/-5°/-10°, Figure 2
The corresponding light types are shown in the following table:

-10°	-5°	0°	5°	10°	15°	20°
Type II, Short		Type III, Short		Type IV, Short		Type IV, Medium

6. The installation direction is adjustable, and the mirror installation of the limit top plate can realize the reverse installation of the lamp, as shown in Figure 3.

7. Wall J-BOX and wall surface installation are optional and special installation accessories are required for wall surface installation.

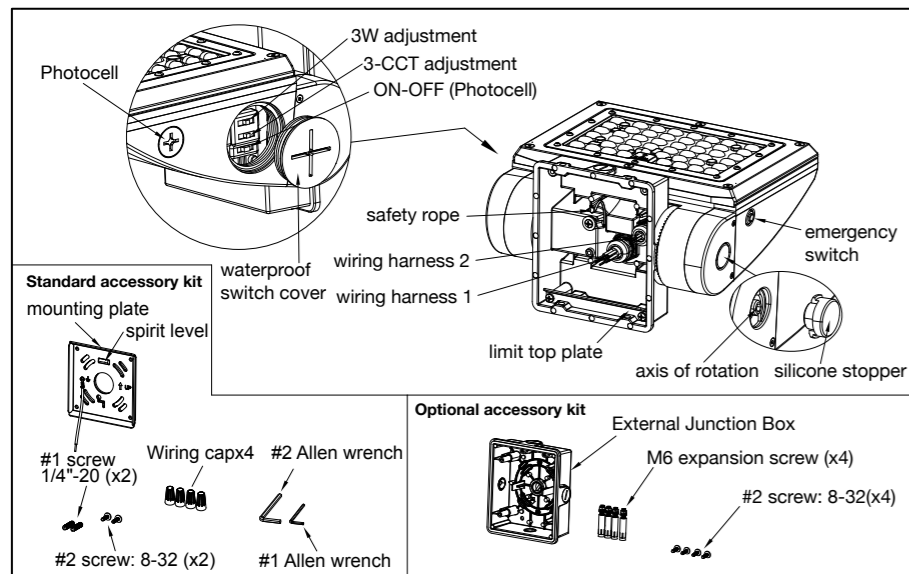


Figure 1

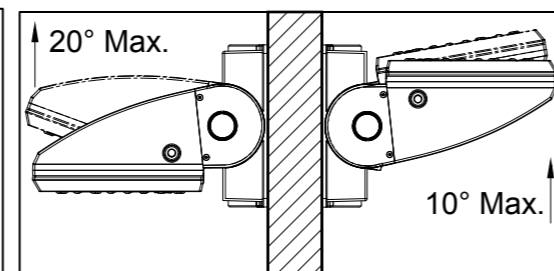


Figure 2

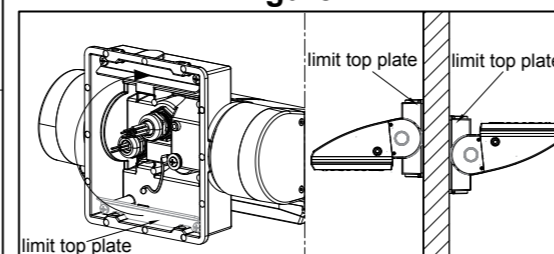


Figure 3

Product information

Size	Dimensions		
	A	B	C
Small	9.71"/247mm	8.74"/222mm	5.92"/150.3mm
Medium	12.78"/324.7mm	9.65"/245mm	5.92"/150.3mm

Before installation, confirm whether the color temperature and power meet the requirements. If not, you need to open the switch cover on the side of the lamp to adjust to the correct color temperature and power, and then install the switch cover and tighten it.

5. There are two through holes on the top of the rotating housing, and the gap between the rotating housing and the wall requires an electrician to apply waterproof glue for waterproofing. Figure 9.
6. Turn on the switch, the lamp works normally.

Recessed Junction BOX installation

1. Fix the mounting plate on the J-BOX on the wall with 2# (8-32) screws, and use the level gauge on the mounting plate to ensure that the installation is in a horizontal state; (Figure 4)
2. Insert the safety rope of the lamp into the special-shaped groove of the installation board and draw it into the bottom to clamp it tightly, as shown in Figure 5; at this time, the lamp is hung on the installation board by the safety rope, freeing hands for wiring.

Refer to the wiring diagram at the bottom of Figure 5 and use the wiring caps in the accessories package for wiring.

- 1). Wiring harness 1: the black wire is connected to the mains L, the red wire is connected to the wall switch and merged into the mains L, the white wire is connected to the mains N, and the green wire is grounded.
- 2). Wire harness 2: The yellow wire is connected to the positive electrode of the Sensor, and the brown wire is connected Sensor negative electrode, purple wire connected to 0-10V dimming positive electrode, pink line Connect 0-10V dimming.
- 3). Arrange the power cord, hang the limit top plate of the lamp on the edge of the installed mounting plate(Figure 6),tighten and fix it with the set screw, and use the tool 1# hexagonal wrench, Figure 7.
- 4). After the lamp is installed, you can adjust the appropriate irradiation angle through the rotating shaft on the side of the lamp. The specific operation is shown in Figure 8: You can pull out the silicone plug with bare hands, and turn the rotating shaft with a #2 hexagonal wrench. Rotate counterclockwise to loosen, and rotate clockwise to tighten.

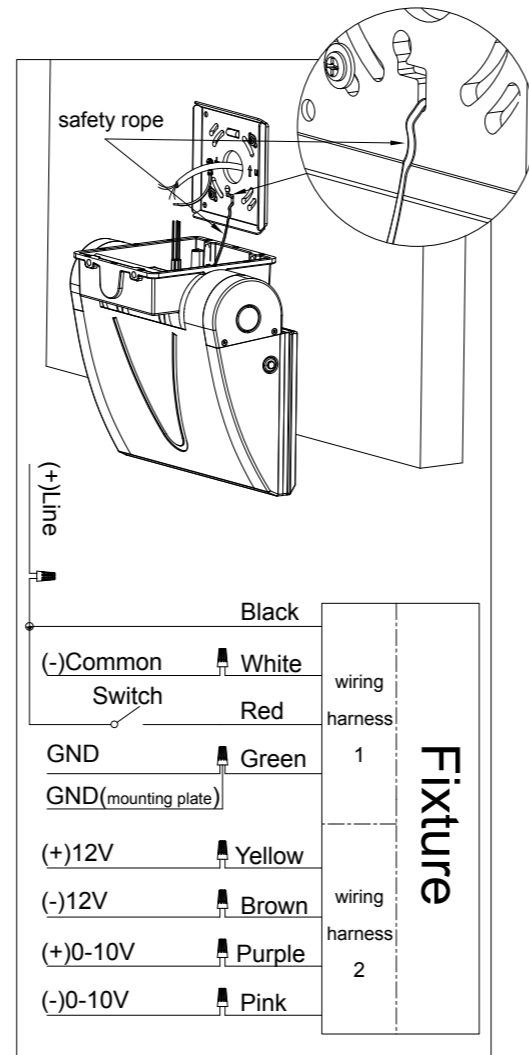


Figure 5

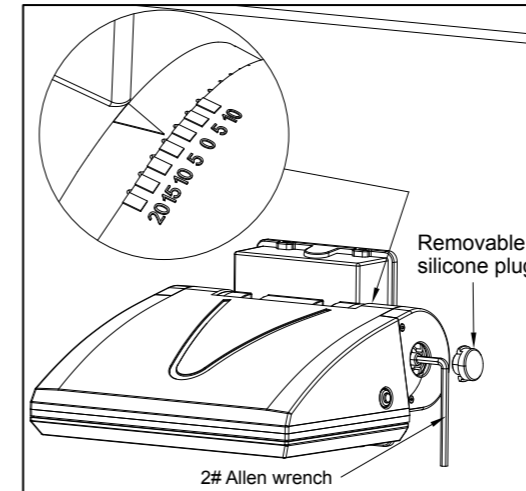


Figure 8

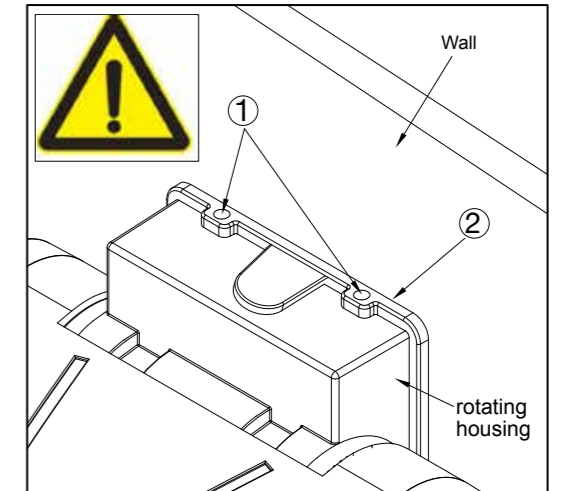


Figure 9

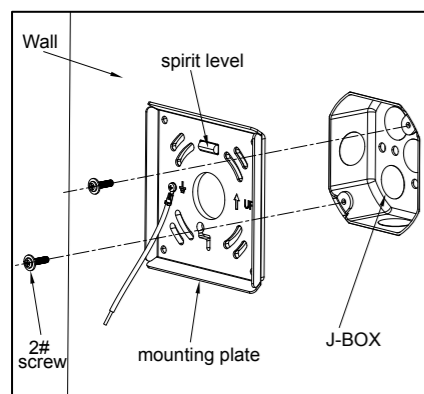


Figure 4

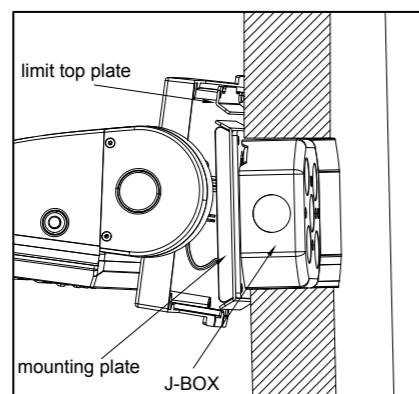


Figure 6

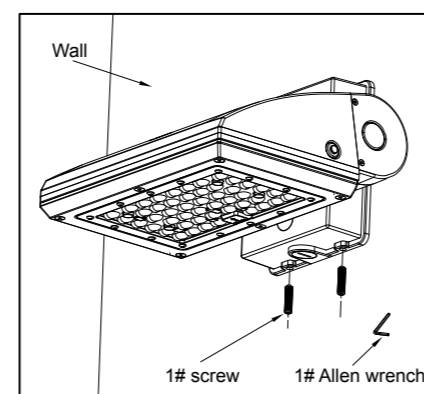


Figure 7