

# LED Semi-Circle Wall Pack Installation Instructions

## **WARNING**

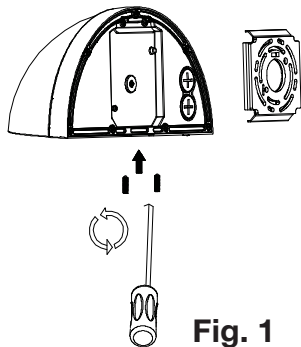
**WARNING: Make certain power is OFF before starting installation or attempting any maintenance.**

PLEASE READ ALL INSTRUCTIONS BEFORE ATTEMPTING INSTALLATION

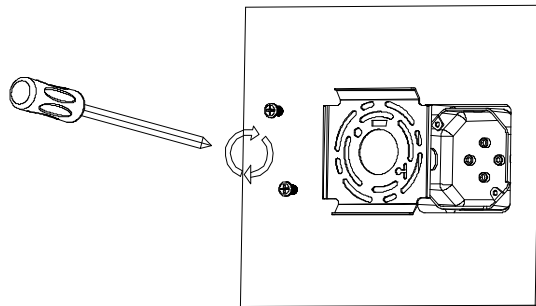
**SAFETY:** This fixture must be wired in accordance with the national electrical code and applicable local codes and ordinances. Proper grounding is required to insure personal safety. Carefully observe the grounding procedure under installation section. All work should be done by a qualified electrician.

- RISK OF ELECTRIC SHOCK - Disconnect power at fuse or circuit breaker before installing or servicing.
- RISK OF PERSONAL INJURY - Fixture may become damaged and/or unstable if not installed properly. Tighten all fixture components to their recommended torque values.

## INSTALLATION

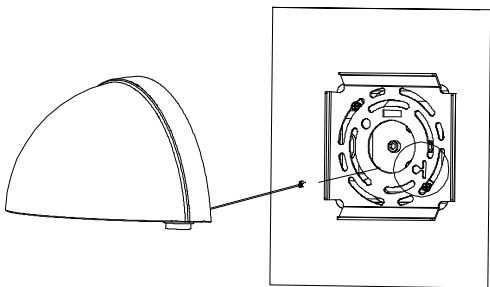


**Fig. 1**



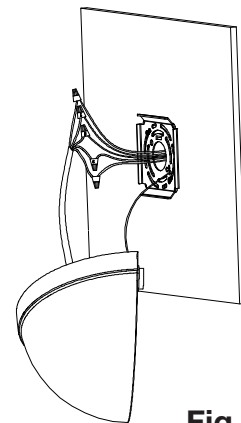
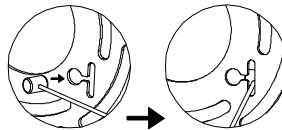
**Fig. 2**

1. Use the Hex wrench to loosen the two allen screws.  
Take apart the mounting bracket from the fixture.



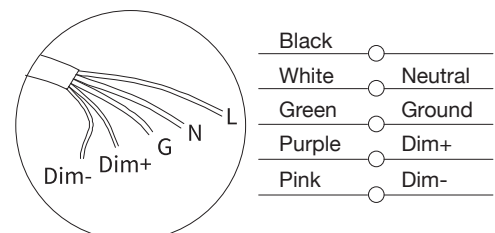
**Fig. 3**

3. Attach the safety cable to the bracket to hold the fixture onto the wall.



**Fig. 4**

4. Connect wires according to below wire diagram.



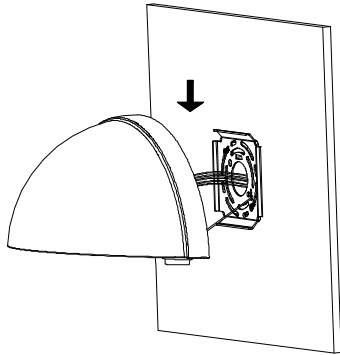


Fig. 5

5. Follow the arrow direction to slide the fixture onto the mounting bracket.

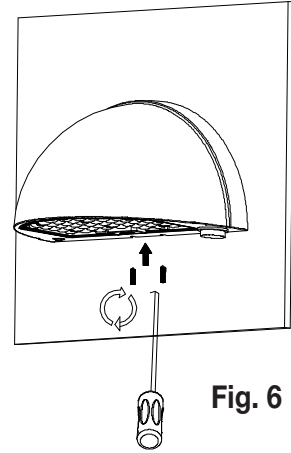
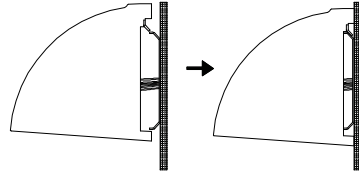
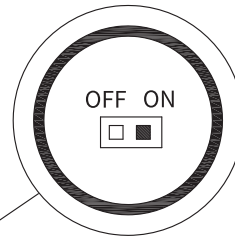
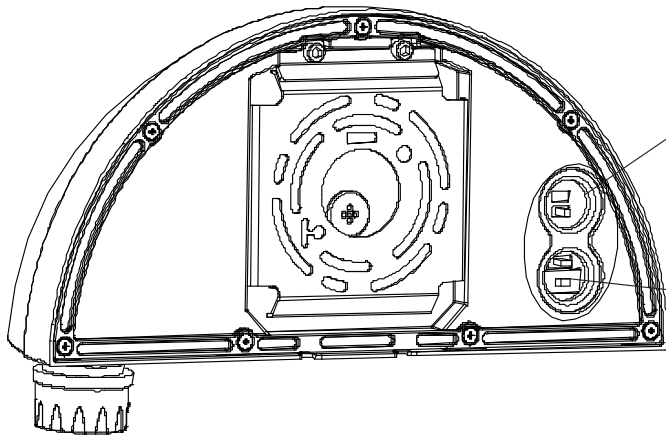


Fig. 6

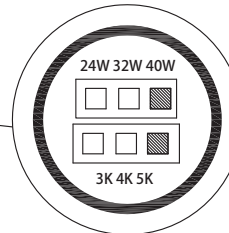
6. Tighten the 2 allen screws and installation is completed.

## WATTAGE & CCT SELECTABLE GUIDANCE

Factory default setting:  
 Watt: 40W/80W  
 CCT: 5000K  
 Photocell: ON



DIP Switch  
for Photocell



DIP Switch  
for CCT & Watt



W=24W 32W 40W

W=48W 64W 80W