

CIRCLE-Line: Semi-Circle Wall Pack

3-CCT + 3-Power Selectable



WATT	LUMENS
48	6,480
64	8,640
80	10,800

Detail Specifications

- Finish: Bronze, Custom finishes available
- IP Rating: Wet Location
- Impact Rating: IK08
- Beam Angle: Type III (Standard)
- Chip: SMD 2835, R9 >50, CRI >80
- BUG: B3-U2-G2
- Operating Temperature: -40° - 122° F
- Lens: Clear acrylic with optics
- Average life (L70) of 70,000 hours

Applications:

- Walkways & Pathways
- Parking Lots
- Hospitality, Multi-Family
- Outdoor Corridors
- Residential, Commercial and Industrial

Product Information:

- Sturdy die-cast aluminum housing finished with corrosion free powder coat
- Full Cut-Off Dark Sky Compliant
- Photocell is included with an on/off switch
- Instant-On to full brightness
- Select-n-Switch Technology: 3-CCT + 3-Power Selectable

Driver Options:

- UNV: 120-277V 0-10V Dimmable
- Built in 6Kv Surge Protector
- THD: <20% (+/-5% tolerance), PF >0.9, 50/60Hz

Mounting & Installation:

- Mounts on to standard recessed junction box

Certifications:

- UL Listed for USA and CA
- DLC Listed
- ROHS Compliant
- Approved for CA T24
- 5 Year Limited Warranty
- FCC CFR 47, GCC Part 15, Subpart B:2017

Series	Finish ¹	Voltage	Photocell -PC	Optic	Sensor ²	Emergency	Surge Protector	Optional Accessories (Order Separately)
LED-WPFC-SC-3P80-TRI 80/64/48w	BZ Bronze (Standard)	(blank) 120-277V	Photocell is included. Easy quick disconnect. (PC-3/4-3PIN-LV)	(blank) Type III T2 Type II T4 Type IV	(blank) No Sensor BMS Bi-Level Motion + Daylight Sensor (S-BMS-EXT-1) BMSBT Bi-Level Motion + Daylight Sensor -Bluetooth Control-(S-BMS-EXT-1-BT)	(blank) No Emergency EMB Emergency Backup	(blank) 6KV Built in 20KV 20KV Surge Protector	Remote for Sensors S-LINE-R S-Line Remote

1. Standard quickship is bronze. Other colors are custom finishes

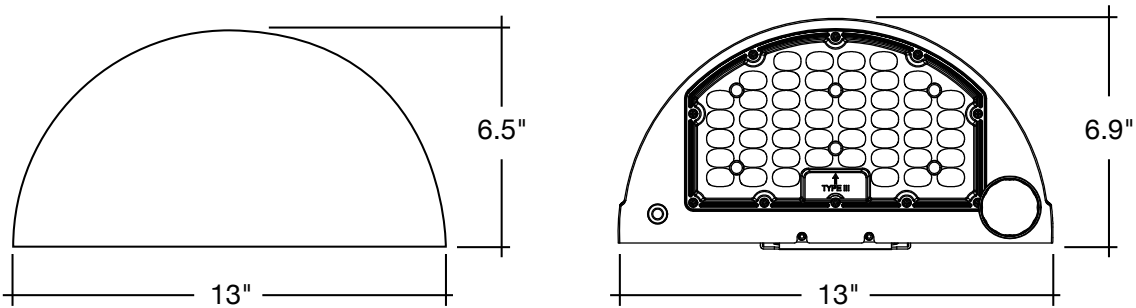
2. Sensors require remote for programming

Semi-Circle Full Cut Off Wall Pack: CIRCLE-Line 3-CCT + 3-Power Selectable

FEATURES



DIMENSIONS



Specs and model numbers are subject to change with or without notice.

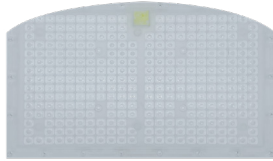
Semi-Circle Full Cut Off Wall Pack: CIRCLE-Line 3-CCT + 3-Power Selectable



S-LINE-R



**S-BMS-EXT-1
S-BMS-EXT-1-BT**



**T2
T4**

WALL PACK

Model	Voltage	Watts	Lumens	Color	CRI
LED-WPFC-SC-3P80-TRI-BZ-PC	120-347V	80/64/48w	10,800/8,640/6,480	50/40/30k	>80
LED-WPFC-SC-3P80-TRI-BL-PC	120-347V	80/64/48w	10,800/8,640/6,480	50/40/30k	>80
LED-WPFC-SC-3P80-TRI-WH-PC	120-347V	80/64/48w	10,800/8,640/6,480	50/40/30k	>80

REMOTE CONTROL

Accessory Model	Description
S-LINE-R	Remote for S-LINE Series Sensors

HB-LINE-SENSORS

Model	Item Description	Voltage	Watts
S-BMS-EXT-1	S-Line: Bi Level Motion Sensor w/ Daylight Harvesting, Ideal for use with LED WALLPACKS. 12V Aux REQD. (Remote Required)	12V	<1w
S-BMS-EXT-1-BT	S-Line: Bi Level Motion Sensor w/ Daylight Harvesting, Ideal for use with Wallpacks. 12V Aux REQD. (Remote Required)	12V	<1w

LENS

Accessory Model	Description
T2	Type 2 Optic Lens
T4	Type 4 Optic Lens