

LED WALL PACK INSTRUCTIONS

APPLICATION

Available in industrial lighting, landscape lighting, courtyard, building, hotel, building exterior, etc.

CAUTION

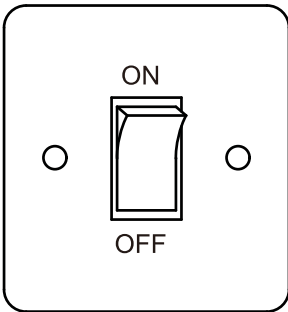
1. Do not use an electric generator to test the LED lamp.
2. Please abide by related, regional and local law and regulations when you install this fixture.
3. Please do not install the fixture when raining to lower the risk of electric shock and to avoid failure of the fixture.

NOTE

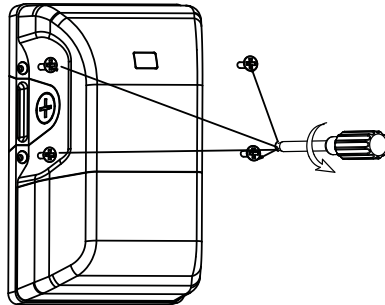
1. To avoid possibility of electrical shock or fire, the installation personnel must have professional electric knowledge.
2. Please wear gloves to avoid injury before installation.
3. If any smoke or spark of the wire happens, please turn off the power immediately and notify relevant personnel.

INSTALLATION

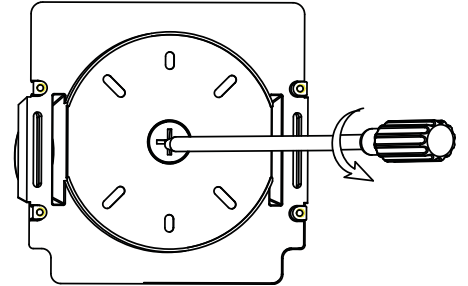
1. Turn OFF the power



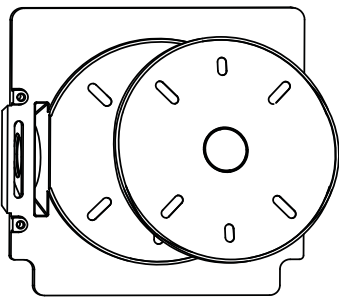
2. Loosen the 4 screws



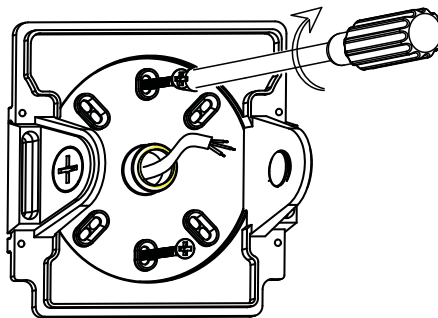
3. Remove the 1/2 end cap



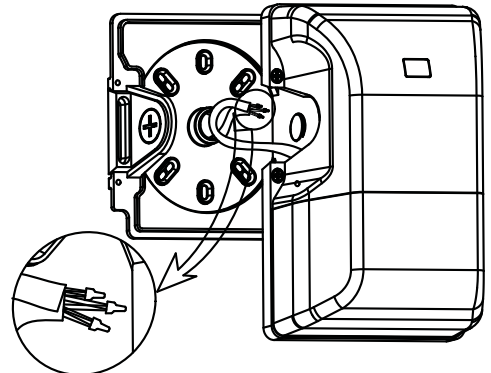
4. Peel off the yellow sticker and paste it on the round area of the bottom plate



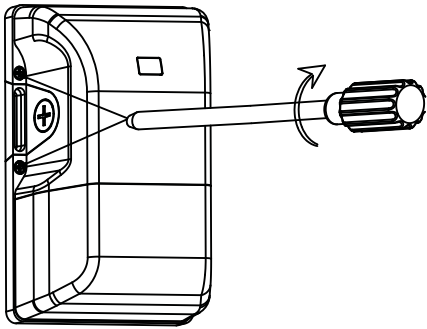
5. Fix the bottom plate on the round plate.



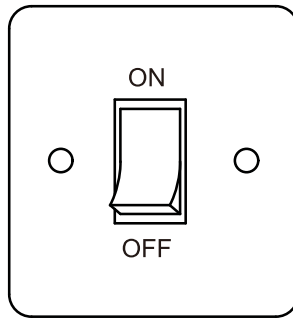
6. Make wiring connection and make sure good protection.



7. Place the fixture by 4 screws

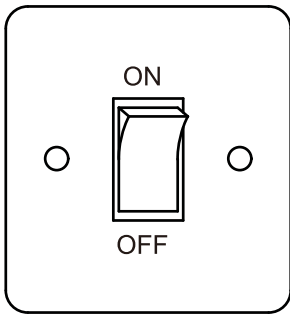


8. Make sure wiring and screws are placed tightly, then turn on power.

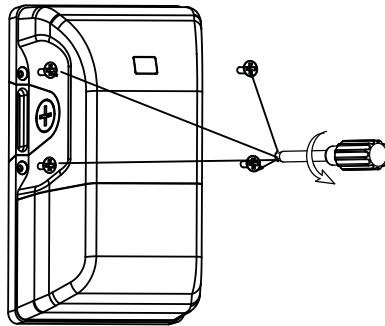


INSTALLATION II

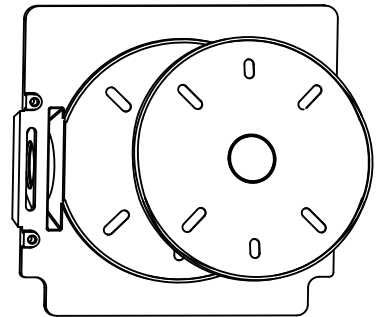
1. Turn OFF the power



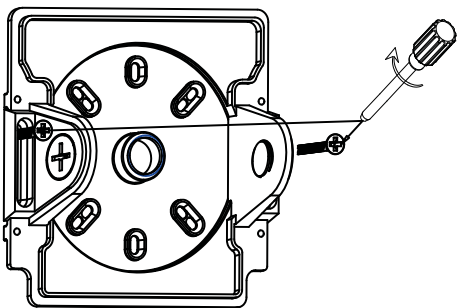
2. Loosen the 4 screws



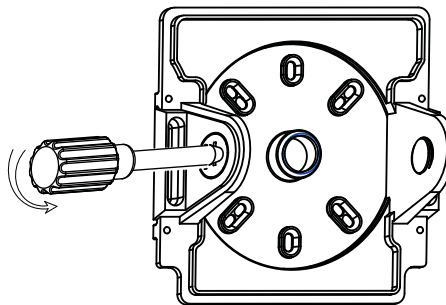
3. Paste the black sponge pad on the bottom plate



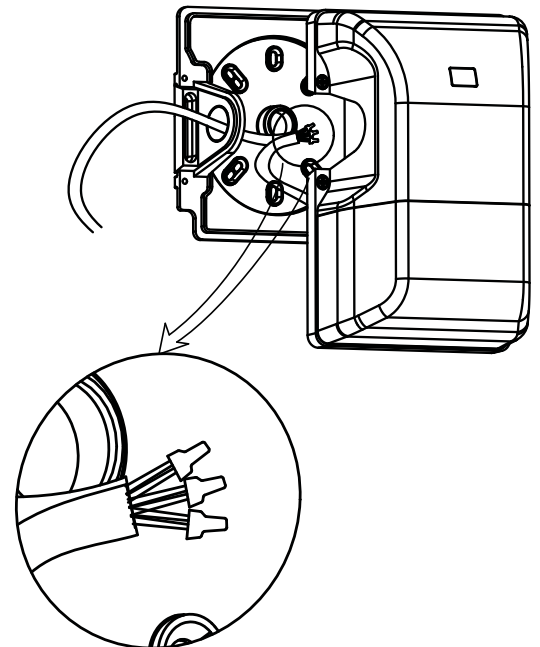
4. Screw the bottom plate on the wall



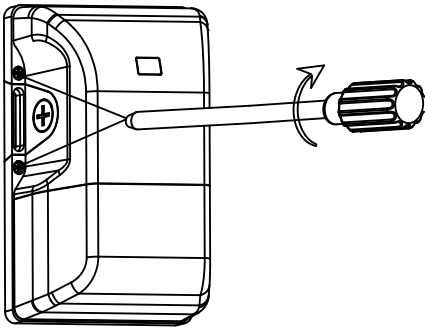
5. Remove one of the 1/2 end cap and get through the wire



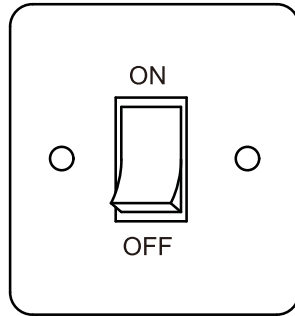
6. Make wiring connection and make sure it is protected securely



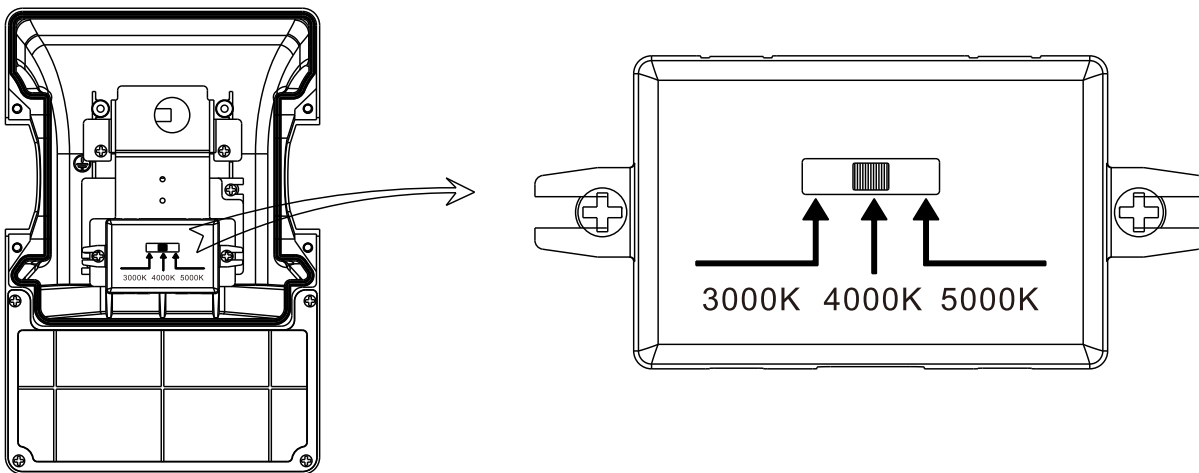
7. Return on the fixture to the bottom plate and tighten it with screws



8. Turn on the power after make sure good wiring and insulation



NOTE: If the lamp has CCT adjustable function, adjust the CCT switch before placement.



STANDARD WIRE

L - Live Wire: Black
N- Null Wire: White
Ground Wire: Green/Yellow

WARNING

MIN 167°F Supply Conductor
Consult a qualified electrician to ensure correct branch circuit.
This product must be installed in accordance with applicable installation code by a person familiar with the construction and operation of the product and hazards involved.