

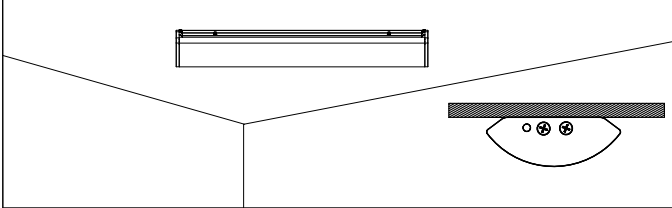
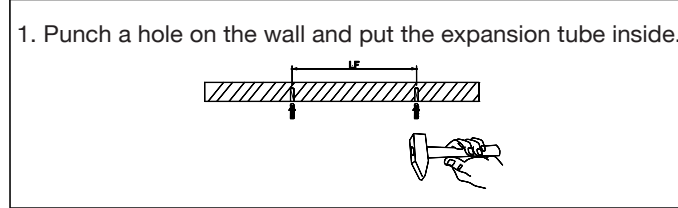
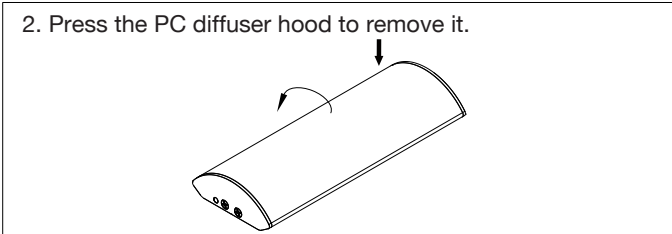
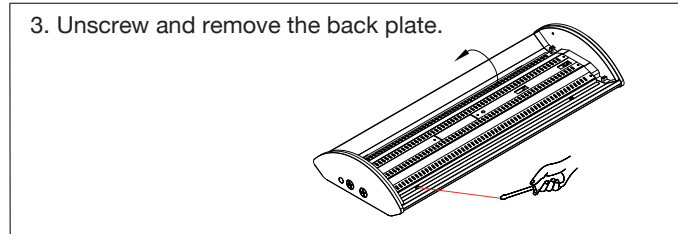
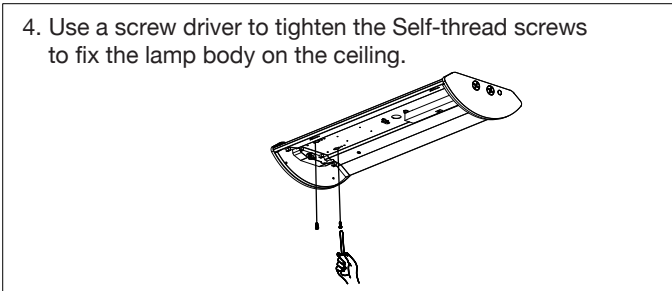
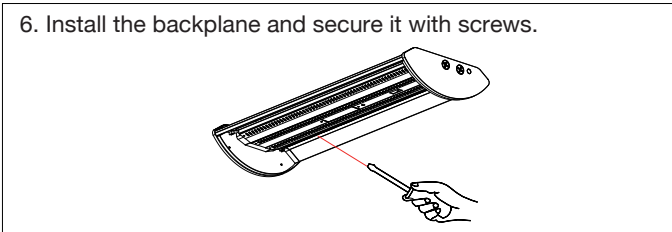
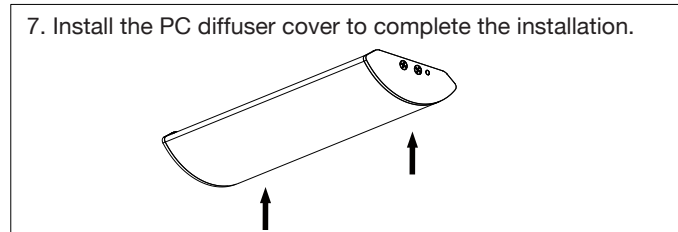
INSTALLATION INSTRUCTIONS FOR ARCY WRAPS

Read this instruction carefully before installation. Keep it for further reference. Make electrical and grounded connections in accordance with the national electrical code and any applicable code. Always turn off the power supply before installation. This product must be installed in accordance with the applicable installation code by a qualified electrician who is familiar with the construction and operation of the product and the hazards involved.

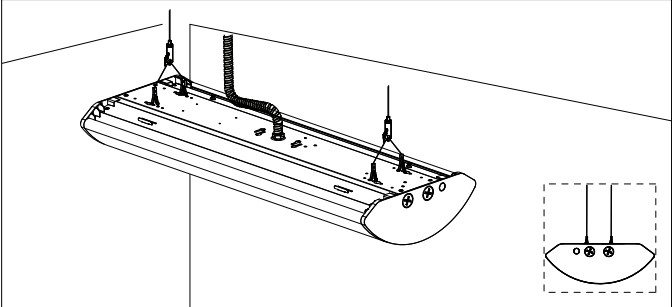
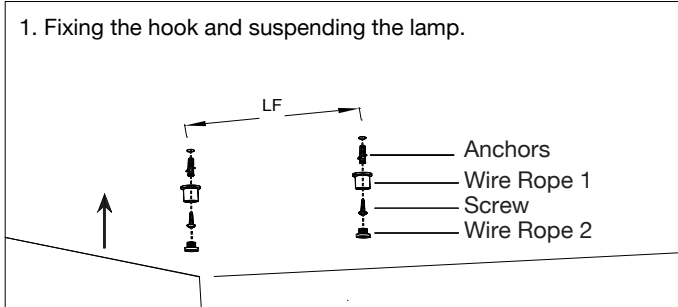
WARNING:

- ⚠ Risk of fire or electric shock. Fixture installation requires knowledge of luminaires electrical systems. If not qualified, DO NOT attempt installation. Contact a qualified electrician.
- ⚠ Risk of fire or electric shock. Suitable for damp locations. Always turn off the power supply before installation.
- ⚠ Risk of fire or electric shock. Suitable for non-insulated surface and frame. DO NOT cover fixture with insulation liner or similar material.
- ⚠ DO NOT install fixture on unstable, loose or easily breakable surface.
- ⚠ DO NOT exert force on the surface of the fixture.

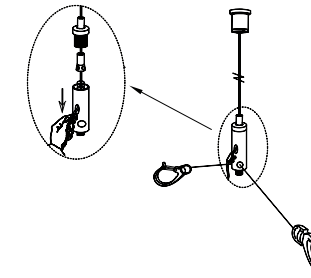
Surface-Mount Installation

	<p>1. Punch a hole on the wall and put the expansion tube inside.</p> 
<p>2. Press the PC diffuser hood to remove it.</p> 	<p>3. Unscrew and remove the back plate.</p> 
<p>4. Use a screw driver to tighten the Self-thread screws to fix the lamp body on the ceiling.</p> 	<p>5. Turn off the power and make wiring by using wire nuts according to wiring diagram.</p>
<p>6. Install the backplane and secure it with screws.</p> 	<p>7. Install the PC diffuser cover to complete the installation.</p> 

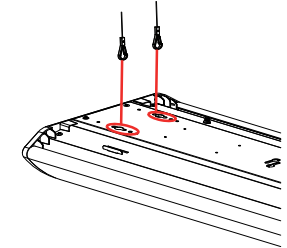
Installation Instructions

	<p>1. Fixing the hook and suspending the lamp.</p> 
---	---

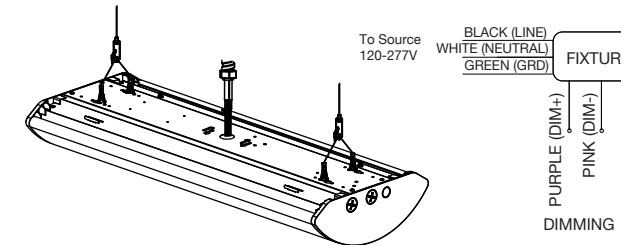
2. Adjusting the hanging rope length.



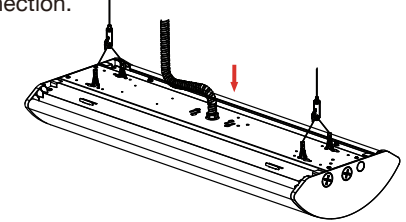
3. Adjusting the hanging rope making the LED strip in a horizontal position.



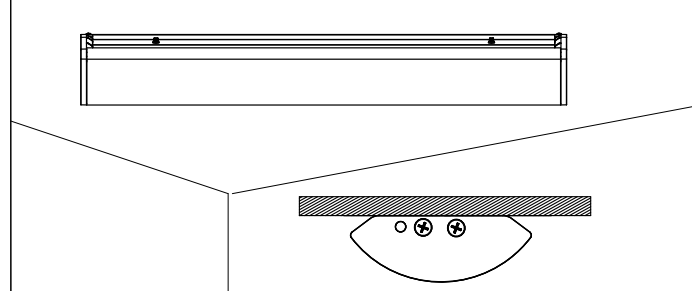
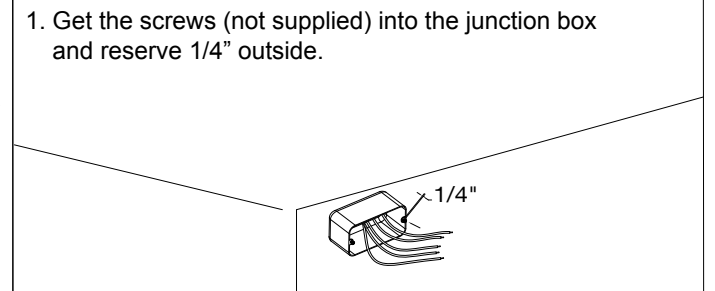
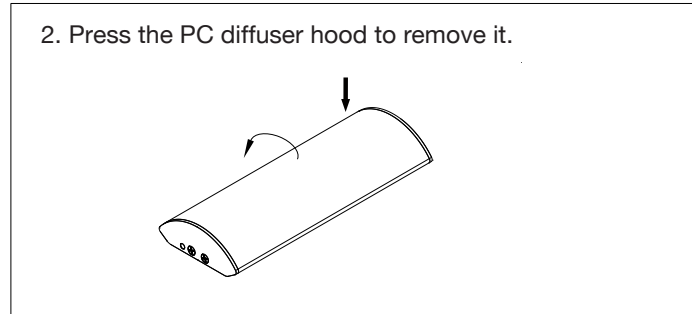
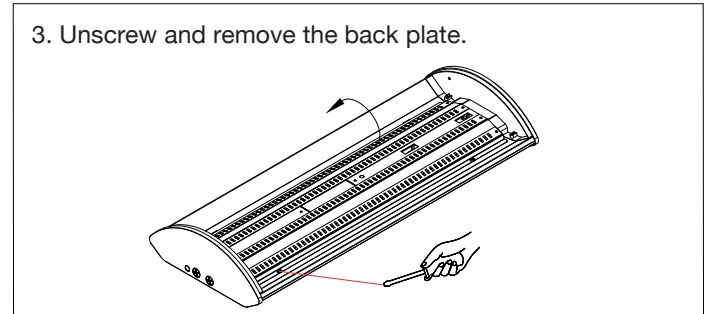
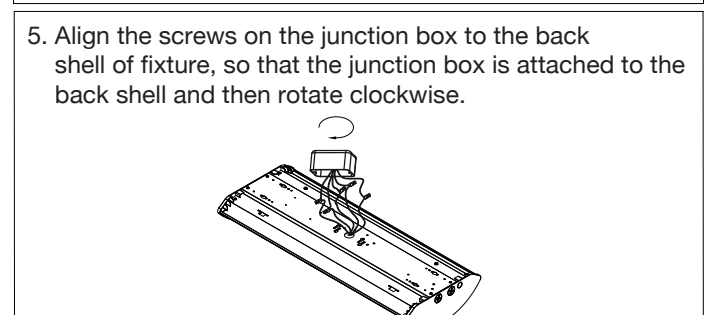
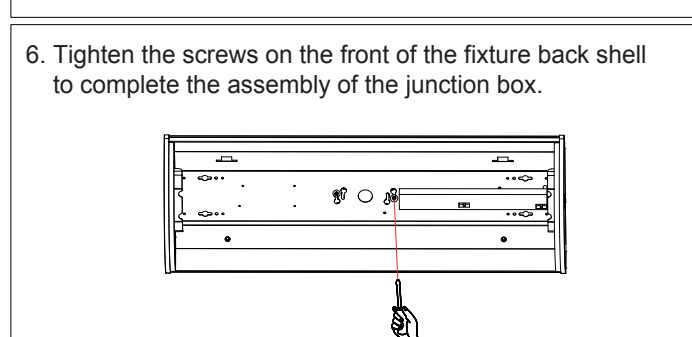
4. Turn off the power and wiring by using wire nuts.



5. Insert the conduit and conduit fitting into the lamp housing. Please find the suitable conduit and conduit fitting for branch circuit connection.



C. Junction-box Installation

	<p>1. Get the screws (not supplied) into the junction box and reserve 1/4" outside.</p> 
<p>2. Press the PC diffuser hood to remove it.</p> 	<p>3. Unscrew and remove the back plate.</p> 
<p>4. Make the wiring according to below figure and use the provided cable ties to organize the cables and put them into the junction box.</p>	<p>5. Align the screws on the junction box to the back shell of fixture, so that the junction box is attached to the back shell and then rotate clockwise.</p> 
<p>6. Tighten the screws on the front of the fixture back shell to complete the assembly of the junction box.</p> 	<p>7. Install the backplane and the PC diffuser cover to complete the installation.</p> 