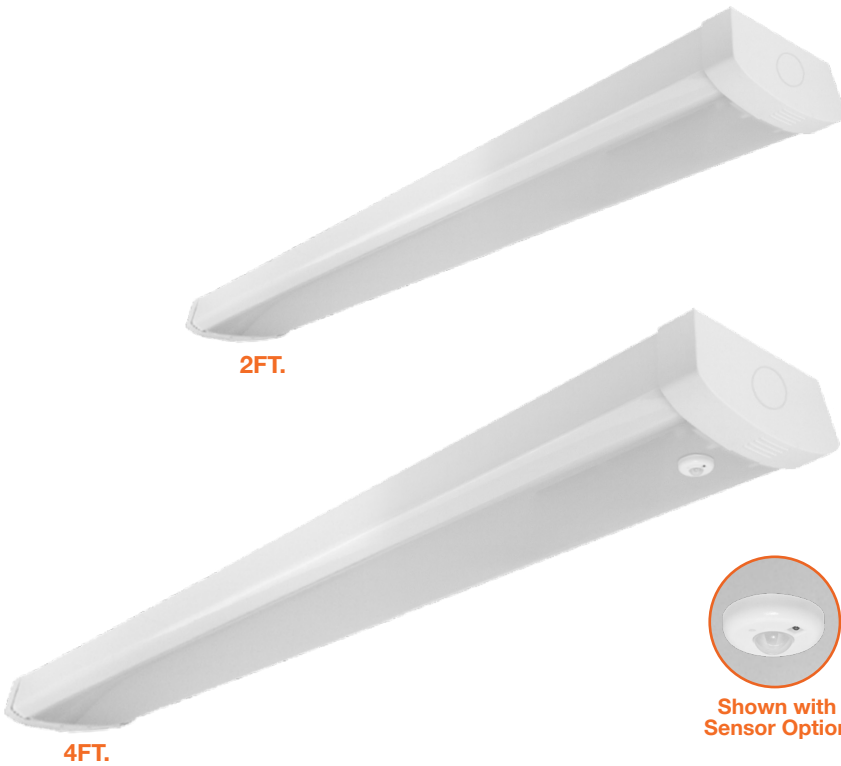


# 2' & 4' Frosted LED Wrap

## 6-CCT + 3-Power Selectable



Shown with Sensor Option

### Detail Specifications:

- Finish: White, Custom finishes available
- IP Rating: Damp Location (IP44)
- Beam Angle: 130°
- Chip: SMD 2835, R9 >50, CRI >80
- Operating Temperature: -40° - 122° F
- Lens: Frosted Lens
- Average life (L70) of 50,000 hours

### Applications:

- Stairwell & Hallways
- Utility & Storage
- Garage Structures
- Office and Meeting Rooms
- Shop Lighting
- Residential, Commercial and Industrial

### Product Information:

- Aluminum housing finished with corrosion free power coat
- Easy j-box access: snap on and off tool-less design
- Select-n-Switch Technology: 6-CCT + 3-Power Selectable
- 1/2" Knockout on both ends of the fixture
- Control Options:
  - Standard Sensors
  - SILVAIR Bluetooth Mesh
  - ENVISIONLS Bluetooth
  - [Click Here](#) for More Information

### Driver Options:

- UNV: 120-277V 0-10V Dimmable
- THD: <20% (+/-5% tolerance), PF >0.9, 50/60Hz
- Flicker Free

### Mounting & Installation:

- Surface mount into 30 or 40 j-box
- Optional 10' & 20' suspension kit available
- Optional 6' chain mount available

### Certifications:

- ETL Listed for USA and CA
- DLC Standard Listed
  - 2FT-3P24: S-53C8H8 / S-TCFCZ0
  - 4FT-3P48: S-JNZMD2 / S-PY0XJQ
- Approved for CA T24
- 5 Year Limited Warranty
- FCC CFR 47, GCC Part 15, Subpart B:2017

Series	Size/Power	CCT	Voltage	Sensor 1	Emergency	Finish 2
<b>LED-WRP-FR -</b>		<b>- 6CCT - UNV -</b>				
	<b>2FT-3P24</b> 16/20/24W	27/30/35 40/50/65K	120-277V	<b>(Blank)</b> No Sensor	<b>(Blank)</b> No Emergency	<b>(Blank)</b> White
	<b>4FT-3P48</b> 32/40/48W			<b>BMS</b> Microwave Bi-Level Motion + Daylight Sensor Remote Required: (S-LINE-R)	<b>EMB</b> Emergency Backup	<b>BL 2</b> Black <b>GRY 2</b> Gray <b>BRZ 2</b> Bronze <b>CS2</b> Custom Color
				<b>BMS-PIR</b> PIR Bi-Level Motion + Daylight Sensor		
				<b>BMS-BT</b> PIR ENVISIONLS Bluetooth Control		
				<b>BMS-SL</b> PIR SILVAIR Bluetooth Mesh		

1. Sensor Note:  
 Microwave: Detects motion through barriers such as walls, and doors. Ideal for applications where obstacles might obstruct the line of sight. Works effectively outdoors, in large open spaces, & parking lots. Do not use in areas of high vibrations or metal.  
 PIR: Ideal for indoor environments with clear lines of sight to the area of interest. Detects warm objects, like a person or animal. Good for high vibration, areas of metal.

2. Standard quick ship finish is white. Other colors are custom finishes.

### Optional Accessories (Order Separately)

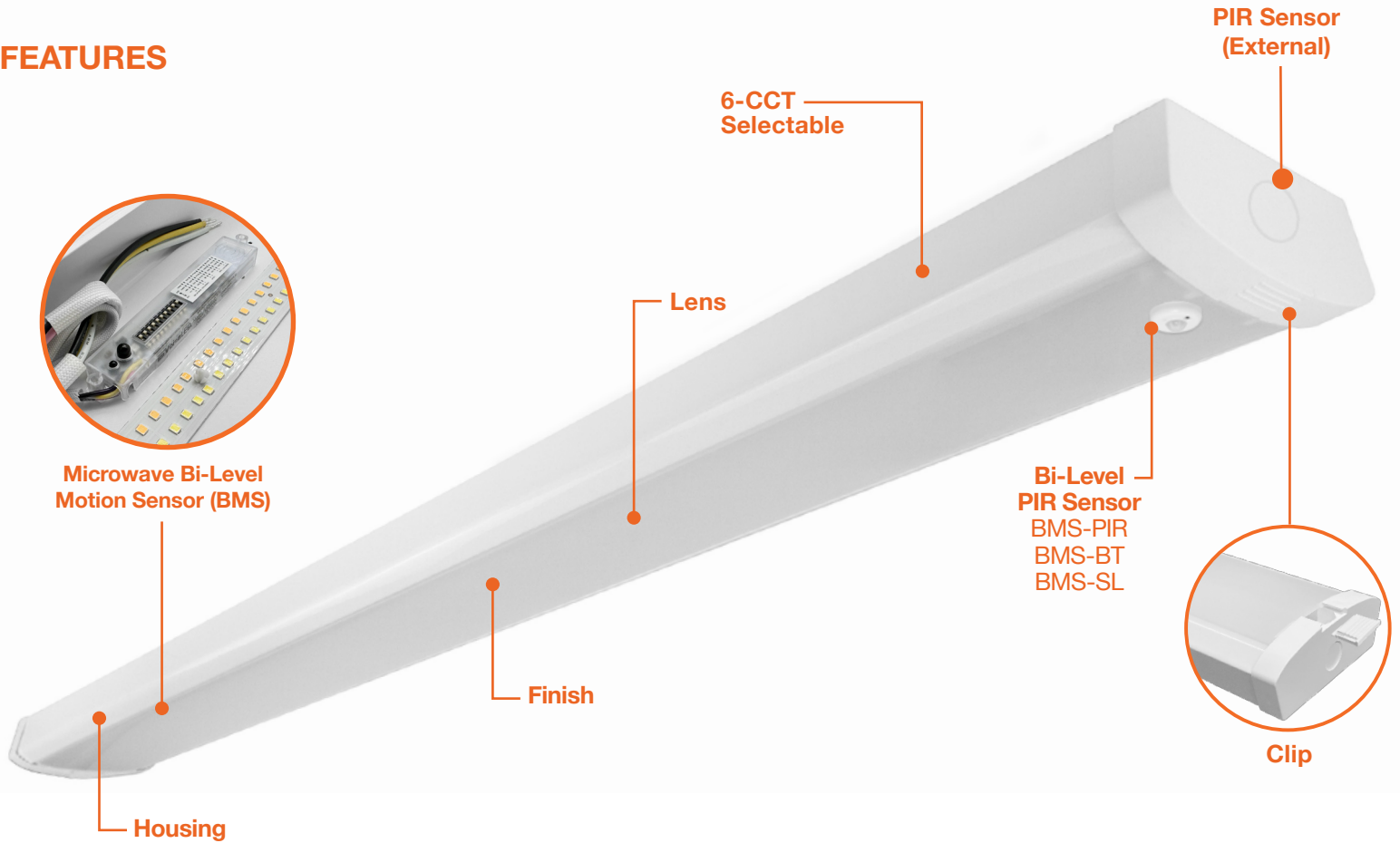
#### Accessories

- SK-10FT-Y-LC-PD**  
10' Y-Shape, Loop Top, Paddle Bottom (Adjustable Length)
- SK-20FT-Y-LC-PD**  
20' Y-Shape, Loop Top, Paddle Bottom (Adjustable Length)
- CK-6FT-V**  
6' Chain Hanging Kit

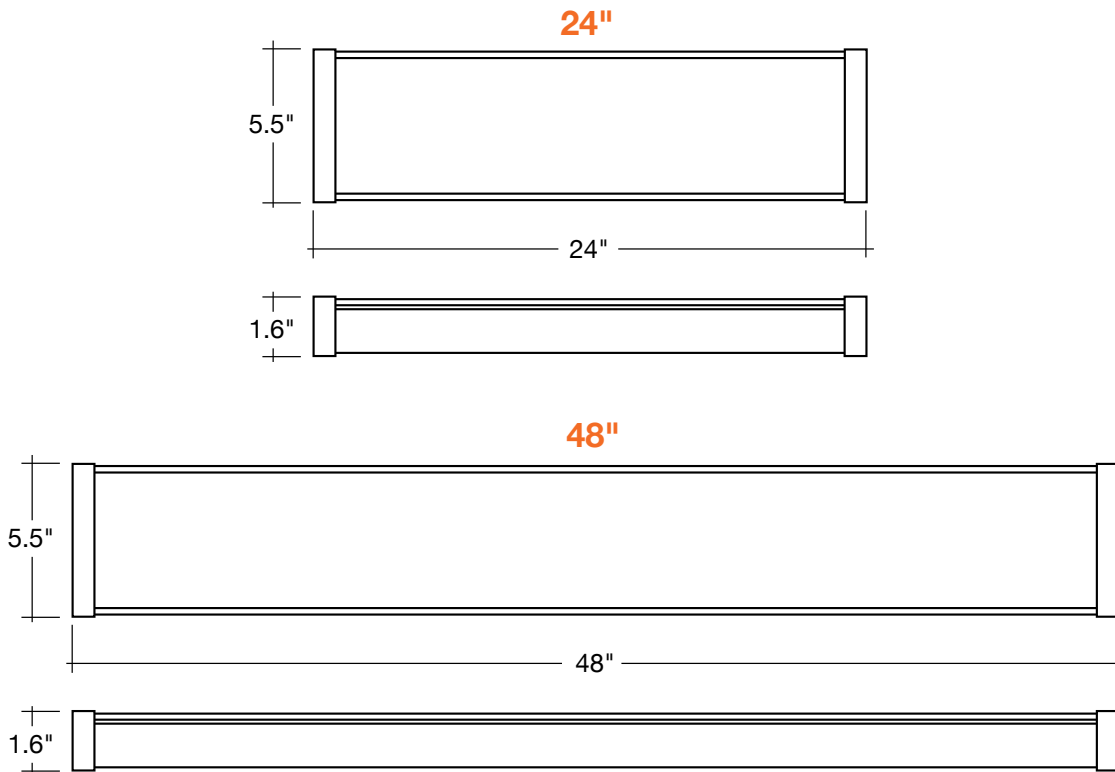
Specs and model numbers are subject to change with or without notice.

# 2' & 4' Frosted LED Wrap 6-CCT + 3-Power Selectable

## FEATURES



## DIMENSIONS



# 2' & 4' Frosted LED Wrap

## 6-CCT + 3-Power Selectable

### ACCESSORIES



**S-LINE-R**



**SK-10FT-Y-LC-PD**  
**SK-20FT-Y-LC-PD**



**CK-6FT-V**

### WRAP FIXTURE

Model	Voltage	Watts	Lumens	Color	CRI
LED-WRP-FR-2FT-3P24-6CCT-UNV	120-277V	24/15/16	2760/2300/1840	27/30/35/40/50/65k	>80
LED-WRP-FR-4FT-3P48-6CCT-UNV	120-277V	48/30/32	5520/4600/3680	27/30/35/40/50/65k	>80

### REMOTE CONTROL

Accessory Model	Description
S-LINE-R	Remote for S-LINE Series Sensors

### SENSORS

Pre-Installed Accessory Model	Description
Add: -BMSPIR to Model #	PIR Bi Level Motion + Daylight Sensor
Add '-BMS-BT' to model #	S-BMS-EXT-1-BT: Bi level motion + daylight sensor W/ bluetooth control (EnvisioLS App)
Add: -BMS-SL to Model #	SILVAIR Enable Bluetooth Control: PIR/Daylight/Zoning/Monitoring

### SUSPENSION KIT

Model	Description
SK-10FT-Y-LC-PD	Suspension Kit: 10' Y-Shape, Loop Top, Paddle Bottom (Adjustable Length)
SK-20FT-Y-LC-PD	Suspension Kit: 20' Y-Shape, Loop Top, Paddle Bottom (Adjustable Length)
CK-6FT-V	6' Chain Hanging Kit

# Control Options

EnVision LED offers 3 control systems compatible with our LED Fixtures for projects of all sizes and budgets.

	Basic Controls	EnVisionLS 	EnVisionLED.x SILVAIR 
<b>Description</b>	Standard Plug In Sensors	Basic Bluetooth Wireless Control	Advanced Bluetooth Wireless Control
<b>Recommended Quantity</b> (but not limited to)	N/A	>40-50 Nodes	>50 Nodes
<b>Maximum Zone Quantity</b>	N/A	100	3,000
<b>Commissioning Tool</b>	Remote Only	  ENVISIONLS App 	  SILVAIR App 
<b>Commissioning Process</b>	Individually Set via Remote	Wireless Must be done on site	Wireless- Initial linking must be done on site. Commissioning can be done via desktop remotely.
<b>Floor Plan Upload</b>	N/A	N/A	Yes Add a floor plan and mark luminaires & zones via desktop
<b>Gateway</b>	N/A	N/A	Required only for energy monitoring, advanced scheduling, automated demand response.
<b>Individual Luminaire Control</b>	Yes	Yes	Yes
<b>Luminaire Grouping Zoning</b>	N/A	Yes	Yes
<b>High End Power Low End Power</b>	Yes but limited (View Remote)	Yes	Yes
<b>Cost</b>	\$	\$\$	\$\$\$
<b>DLC NLC Listed</b>	N/A	Yes	Yes
<b>Energy Monitoring &amp; Data Reporting</b>	N/A	N/A	Monitor energy usage per individual zone & retrofit cost savings calculation + detailed reporting



# Compatible Products:

EnVision offers a variety of nodes, sensors, & gateways that are controlled via remote, ENVISIONLS Bluetooth Mesh & SILVAIR Bluetooth Mesh on all of our 0-10V dimmable fixtures.



## Individual Fixture Controls: PIR Sensor, Bi-Level Dimming, Daylight

Basic Note: **-1** • ENVISIONLS Models Note: **-BT** • SILVAIR Models Note: **-SL**

	MODEL #	DESIGN	RECOMMENDED FIXTURE	FEATURES
	<b>S-TWC-PIR-1</b> <b>S-TWC-PIR-BT</b> <b>S-TWC-PIR-SL</b>	Twist-C Control Sensor	Sensor Ready Fixtures: Area Lights, Canopies, Flood Lights, High Bays	All models are equipped with PIR occupancy sensing, high & low end bi-level dimming, & daylight sensing.
	<b>S-TWC-90 + S-TWC-PIR-1</b> <b>S-TWC-90 + S-TWC-PIR-BT</b> <b>S-TWC-90 + S-TWC-PIR-SL</b>	Twist-C Control Sensor + 90 Degree Arm	Cylinders, Strips, Wall Packs	
	<b>S-AUD-PIR-1</b> <b>S-AUD-PIR-BT</b> <b>S-AUD-PIR-SL</b>	2.5m Audio Jack	Panels & Troffers	
	<b>S-SN-PIR-1</b> <b>S-SN-PIR-BT</b> <b>S-SN-PIR-SL</b>	Snap In Sensor	Troffers & Wraps	

## Group Controls ENVISIONLS Models Note : **-BT** • SILVAIR Models Note: **-SL**

	MODEL #	DESIGN	VOLTAGE	FEATURES	RECOMMENDED FEATURES
	<b>S-CM-PIR-LV-BT</b> <b>S-CM-PIR-LV-SL</b>	Ceiling Mounted PIR Sensor	12-24V	PIR Sensor, Bi-Level Dimming, Daylight, 360° detection, 12' Max Mounting Height	Connects to 0-10V dimmable fixtures
	<b>S-WM-PIR-CUNV-BT</b> <b>S-WM-PIR-CUNV-SL</b>	Wall Mounted PIR Occupancy Sensor, Bi-Level Dimming, Daylight	120-277V	On/Off PIR occupancy sensor, 180° detection, 30' detection @ 4' Mounting Height	Connects to LED fixtures
	<b>S-WS-120V-USB-SL</b>		120V	Dimming Wall Socket, Two Sockets	Floor Lamps, Other Lamps

## Gateway (Silvair Only) 4.5–5.5 V DC, 2A Power over Ethernet 36–57 V DC

	MODEL #	DESIGN	VOLTAGE	FEATURES	RECOMMENDED FEATURES
	<b>SGW-102</b>	Wall or Ceiling Mounted	POE	Advanced Energy Monitoring Control	Connects to Silvair Controls. Gateway is not required.