

# Slim-Line: Linear High Bays

## 3-Power Selectable



### Detail Specifications

- Finish: White, Custom finishes available
- IP Rating: Damp Location
- Beam Angle: 110°
- Chip: SMD 2835, R9 >50, CRI >80
- 3 Step MacAdam Ellipses
- Operating Temperature: -4° - 122° F
- Lens: Clear Prismatic Ribbed
  - Low Glare
- Average life (L70) of 70,000 hours

### Applications:

- Warehouse/Distribution Facility
- Utility & Storage
- Garage Structures
- Commercial and Industrial

### Product Information:

- Aluminum housing finished with corrosion free power coat
- Replace existing fixtures or use in new construction
- Easy maintenance: driver access from front
- Instant-On to full brightness
- Twist-C Control: Control ready receptacle built into each fixture

### Driver Options:

- UNV: 120-277V 0-10V Dimmable
- HV: 347-480V 0-10V Dimmable
- THD: <15% (=/-5% tolerance), PF >0.9, 50/60Hz

### Mounting & Installation:

- 3.5' adjustable suspension kit included
- Optional 9' adjustable suspension kit available
- Optional 6' chain kit available
- Optional surface mount kit available
- Optional pendant mount kit available

### Certifications:

- UL Listed for USA and CA
- DLC Premium Listed
- ROHS Compliant
- Approved for CA T24
- 5 Year Limited Warranty

WATT	LUMENS
60	8,700
80	11,600
110	15,950
125	18,125
150	21,750
165	23,925
180	26,100
200	29,000
220	31,900
260	37,700
290	42,050
320	46,400

Series	CCT	Voltage <sup>1</sup>	Whip	Plug	Optic	EMB
LED-LHB-2FT-3P110-F	40K	UNV	(Blank) No Whip	(Blank) Hardwire	(Blank) 110°	(Blank) No
60/80/110W • 120-277V	4000K	120-	6	SB	Standard	Emergency
LED-LHB-2FT-3P165-F	50K	277V	6ft Whip	5-15P	30D	Back-Up
125/150/165W • 120-277V	5000K	HV <sup>1</sup>	3-Wire	Straight	30°	EMB
LED-LHB-4FT-3P220-F		347-	10	Blade		90 Min.
180/200/220W • 120-277V		480V	10ft Whip	Plug		Emergency
LED-LHB-4FT-3P320-F			3-Wire	TL		Back-up
260/290/320W • 120-277V			20	L5-15P		
			20ft Whip	Twist		
			3-Wire	Lock		
				Plug		

1. HV: High voltage is made to order.

2. 30D only available on 4ft models

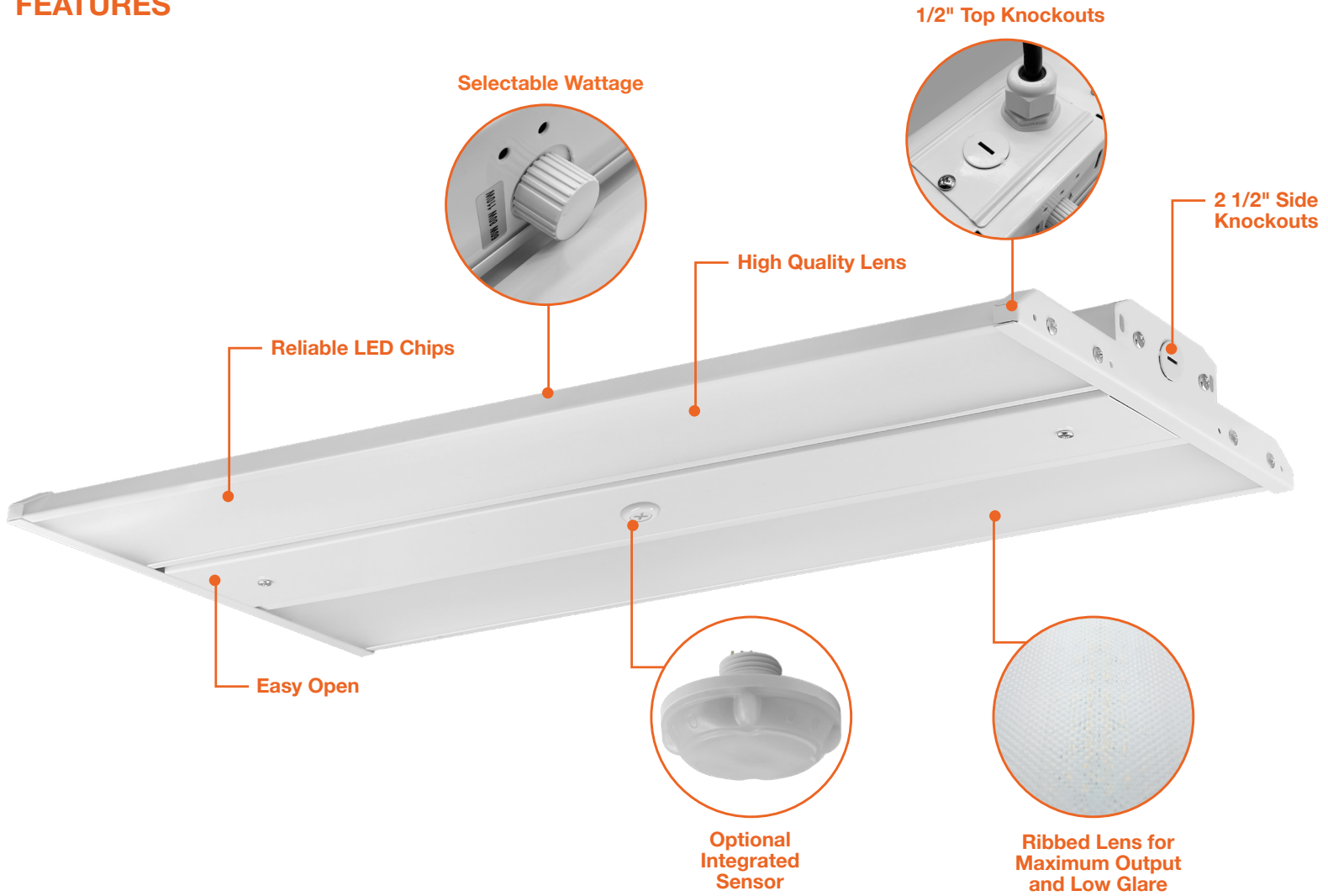
### Optional Accessories (Order Separately)

Suspension Kits	Mounting Kits	Wire Guards	Whips (Field Install)	Sensors	Sensor Remote
<b>SK-10FT-Y-LC-PD</b> 10' Y-Shape, Loop Top, Paddle Bottom (Adjustable Length)	<b>LHB-3P-PDM</b> 165W, 220W, 320W Pendant Mount Kit	<b>LHB-2FT-WG</b> 2ft 110 & 165W	<b>6'-WHIP-1/2KO</b> 6' Whip	<b>S-TWC-MW-1</b> Microwave	<b>S-LINE-R</b> Remote
<b>SK-20FT-Y-LC-PD</b> 20' Y-Shape, Loop Top, Paddle Bottom (Adjustable Length)	<b>LHB-3P-SM</b> 165W, 220W, 320W Surface Mount Kit	<b>LHB-3P-4FT-WG</b> 4ft 220 & 320W	<b>10'-WHIP-1/2KO</b> 10' Whip	+ Daylight Sensor (Remote Req'd)	for S-Line Sensor
<b>SK-10FT-Y-LC-CB</b> 10' Y-Shape, Loop Top, Carabiner Bottom (Adjustable Length)			Custom whips to size available	<b>S-TWC-PIR-1</b> PIR Bi-Level Motion	<b>ENVISION CONNECT</b> Bluetooth or Android smart app.
<b>SK-20FT-Y-LC-CB</b> 20' Y-Shape, Loop Top, Carabiner Bottom (Adjustable Length)			<b>20'-WHIP-1/2KO</b> 20' Whip	+ Daylight Sensor (Remote Req'd)	Download on Apple or Android app store.
<b>CK-6FT-V</b> 6' chain hanging kit			Custom whips to size available	<b>S-TWC-PIR-BT</b> PIR Microwave Bi-Level Motion	+ Daylight Sensor

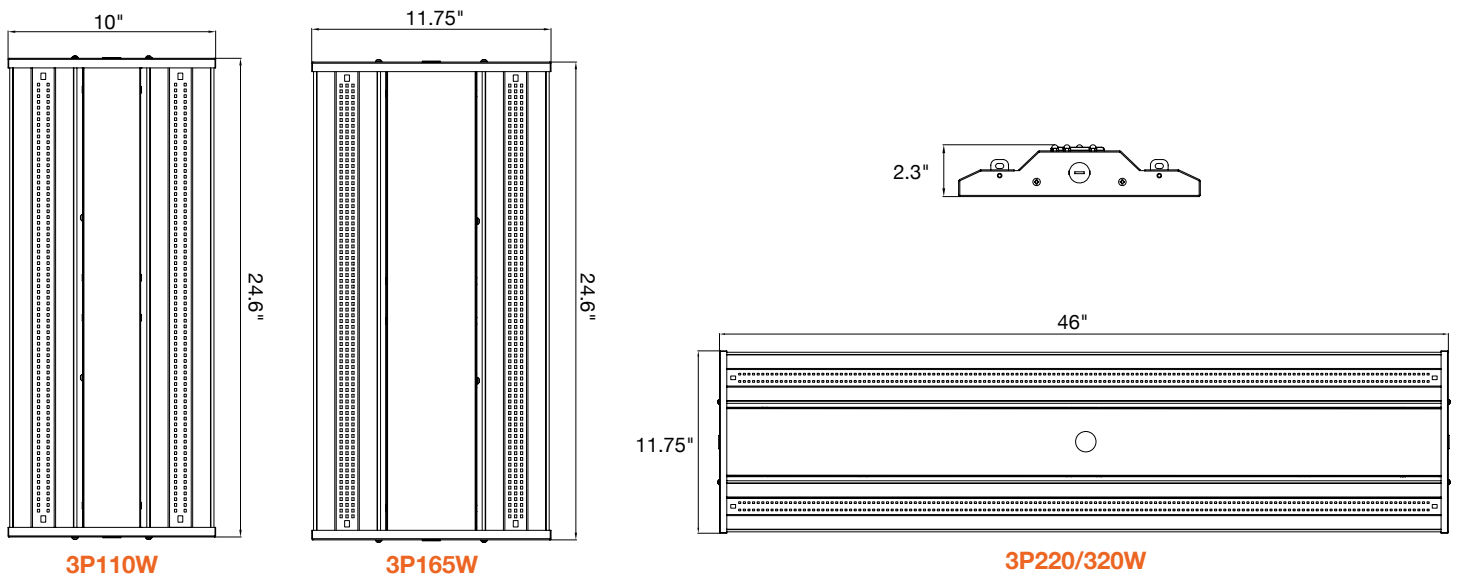
# Slim-Line: Linear High Bays

## 3-Power Selectable

### FEATURES



### DIMENSIONS



## ACCESSORIES



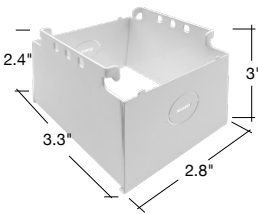
**SK-10FT-Y-LC-PD**  
**SK-20FT-Y-LC-PD**



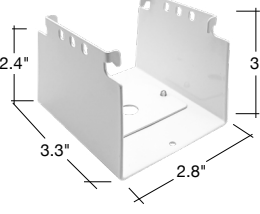
**SK-10FT-Y-LC-CB**  
**SK-20FT-Y-LC-CB**



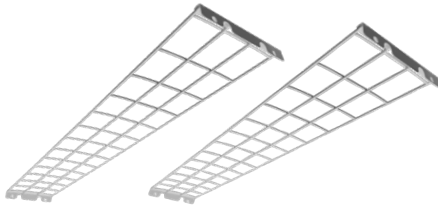
**CK-6FT-V**



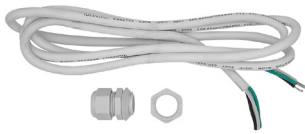
**Pendant Mount 2ft**  
**LHB-2FT-3P-PDM**  
Center Hole Size .85"



**Surface Mount 2ft**  
**(2 Pcs)**  
**LHB-2FT-3P-SM**  
Center Hole Size 1"  
Center Hole Size  
w/ Plate .43"



**LHB-2FT-WG**  
**LHB-3P-4FT-WG**



**6'-WHIP-1/2KO**  
**10'-WHIP-1/2KO**  
**20'-WHIP-1/2KO**



**S-TWC-MW-1**  
**S-TWC-MW-BT**



**S-TWC-PIR-1**  
**S-TWC-PIR-BT**



**S-LINE-R**  
Controller



**SB**  
5-15P Straight  
Blade Plug



**TL**  
L5-15P Twist  
Lock Plug

## HIGHBAY FIXTURE

Accessory Model	Description
LED-LHB-2FT-3P110-F-40K-UNV	Linear Highbay 2ft 3 Power Select w/ Twist-It Technology
LED-LHB-2FT-3P110-F-50K-UNV	Linear Highbay 2ft 3 Power Select w/ Twist-It Technology
LED-LHB-2FT-3P165-F-40K-UNV	Linear Highbay 2ft 3 Power Select w/ Twist-It Technology
LED-LHB-2FT-3P165-F-50K-UNV	Linear Highbay 2ft 3 Power Select w/ Twist-It Technology
LED-LHB-4FT-3P220W-F-40K-UNV	Linear Highbay 4ft 3 Power Select w/ Twist-It Technology
LED-LHB-4FT-3P220W-F-50K-UNV	Linear Highbay 4ft 3 Power Select w/ Twist-It Technology
LED-LHB-4FT-3P320W-F-40K-UNV	Linear Highbay 4ft 3 Power Select w/ Twist-It Technology
LED-LHB-4FT-3P320W-F-UNV-50K	Linear Highbay 4ft 3 Power Select w/ Twist-It Technology

## SUSPENSION KITS

Accessory	Description
SK-10FT-Y-LC-PD	10' Y-Shape, Loop Top, Paddle Bottom (Adjustable Length)
SK-20FT-Y-LC-PD	20' Y-Shape, Loop Top, Paddle Bottom (Adjustable Length)
SK-10FT-Y-LC-CB	10' Y-Shape, Loop Top, Carabiner Bottom (Adjustable Length)
SK-20FT-Y-LC-CB	20' Y-Shape, Loop Top, Carabiner Bottom (Adjustable Length)
CK-6FT-V	6' Chain Hanging Kit

## MOUNTING KITS

Accessory Model	Description
LHB-3P-PDM	LHB: Pendant mount bracket up to 320W
LHB-3P-SM	LHB: Surface mount bracket up to 320W

## WIRE GUARDS

Accessory Model	Description
LHB-2FT-WG	Linear Highbay Wire Guard 2ft
LHB-3P-4FT-WG	Linear Highbay Wire Guard 4ft

## WHIPS (FIELD INSTALL)

Accessory Model	Description
6'-WHIP-1/2KO	6' Whip
10'-WHIP-1/2KO	10' Whip
20'-WHIP-1/2KO	20' Whip

## SENSORS

Accessory Model	Description
S-TWC-MW-1	Microwave Bi-Level Motion + Daylight Sensor (Remote Req'd)
S-TWC-PIR-1	PIR Bi-Level Motion + Daylight Sensor (Remote Req'd)
S-TWC-MW-BT	Bluetooth Microwave Bi-Level Motion + Daylight Sensor
S-TWC-PIR-BT	PIR Microwave Bi-Level Motion + Daylight Sensor

## SENSOR REMOTE

Accessory Model	Description
S-LINE-R	Remote for S-Line Sensor
ENVISION CONNECT	Bluetooth smart app. Download on Apple and Android.

## PLUG

Accessory Model	Description
SB	5-15P Straight Blade Plug
TL	L5-15P Twist Lock Plug