

Slim-Line: Linear High Bays

3-Power Selectable



Detail Specifications

- Finish: White, Custom finishes available
- IP Rating: Damp Location
- Beam Angle: 110°
- Chip: SMD 2835, R9 >50, CRI >80
- 3 Step MacAdam Ellipses
- Operating Temperature: -4° - 122° F
- Lens: Clear Prismatic Ribbed
 - Low Glare
- Average life (L70) of 70,000 hours

Applications:

- Warehouse/Distribution Facility
- Utility & Storage
- Garage Structures
- Commercial and Industrial

Product Information:

- Aluminum housing finished with corrosion free power coat
- Replace existing fixtures or use in new construction
- Easy maintenance: driver access from front
- Instant-On to full brightness
- Twist-C Control: Control ready receptacle built into each fixture

Driver Options:

- UNV: 120-277V 0-10V Dimmable
- HV: 347-480V 0-10V Dimmable
- THD: <15% (=/-5% tolerance), PF >0.9, 50/60Hz

Mounting & Installation:

- 3.5' adjustable suspension kit included
- Optional 9' adjustable suspension kit available
- Optional 6' chain kit available
- Optional surface mount kit available
- Optional pendant mount kit available

Certifications:

- UL Listed for USA and CA
- DLC Premium Listed
- ROHS Compliant
- Approved for CA T24
- 5 Year Limited Warranty

WATT	LUMENS
60	8,700
80	11,600
110	15,950
125	18,125
150	21,750
165	23,925
180	26,100
200	29,000
220	31,900
260	37,700
290	42,050
320	46,400

Series	CCT	Voltage ¹	Whip	Plug	Optic	EMB
LED-LHB-2FT-3P110-F	40K	UNV	(Blank) No Whip	(Blank) Hardwire	(Blank) 110°	(Blank) No
60/80/110W • 120-277V	4000K	120-	6	SB	Standard	Emergency
LED-LHB-2FT-3P165-F	50K	277V	6ft Whip	5-15P	30D	Back-Up
125/150/165W • 120-277V	5000K	HV ¹	3-Wire	Straight	30°	EMB
LED-LHB-4FT-3P220-F		347-	10	Blade		90 Min.
180/200/220W • 120-277V		480V	10ft Whip	Plug		Emergency
LED-LHB-4FT-3P320-F			3-Wire	TL		Back-up
260/290/320W • 120-277V			20	L5-15P		
			20ft Whip	Twist		
			3-Wire	Lock		
				Plug		

1. HV: High voltage is made to order.

2. 30D only available on 4ft models

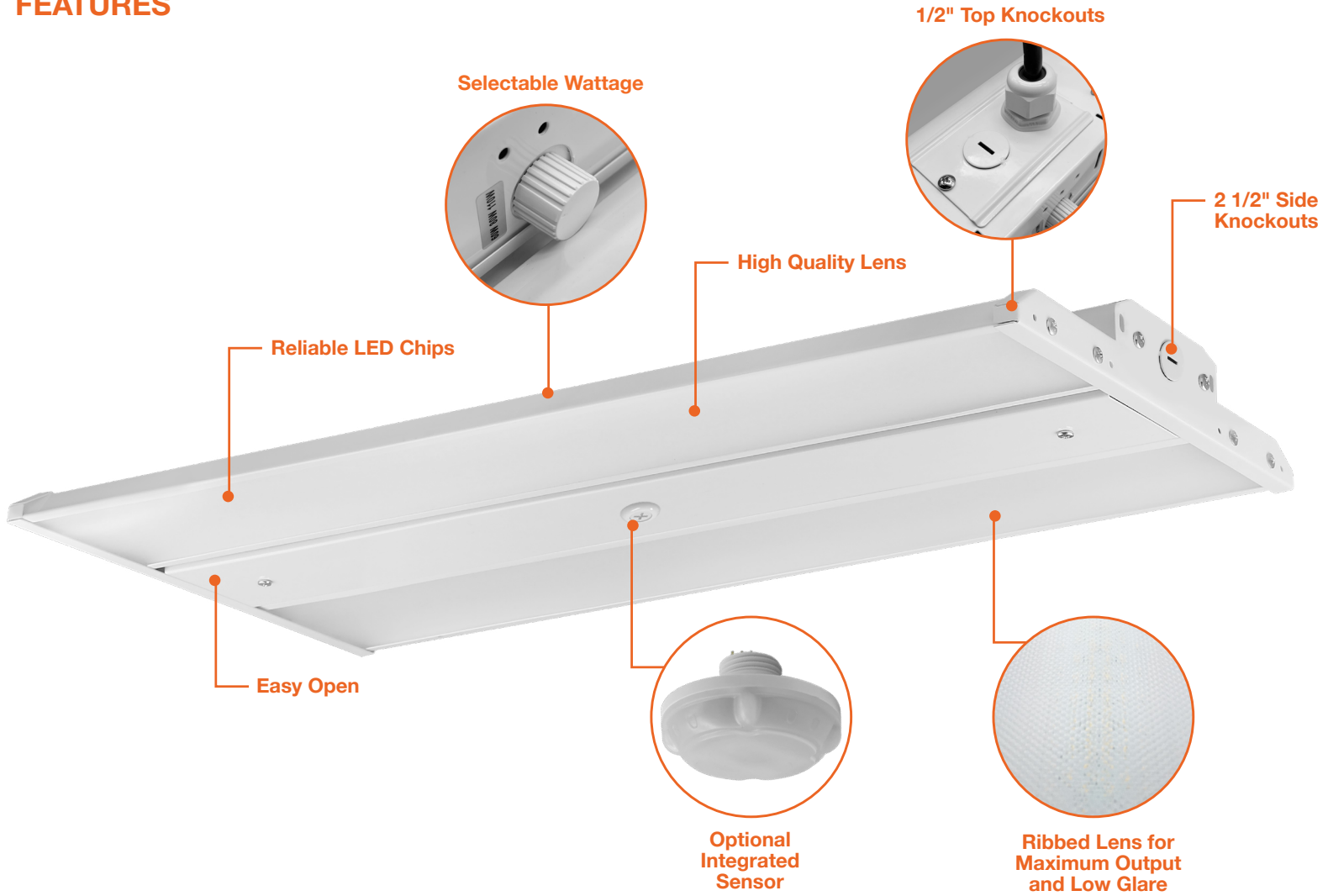
Optional Accessories (Order Separately)

Suspension Kits	Mounting Kits	Wire Guards	Whips (Field Install)	Sensors	Sensor Remote
SK-10FT-Y-LC-PD 10' Y-Shape, Loop Top, Paddle Bottom (Adjustable Length)	LHB-3P-PDM 165W, 220W, 320W Pendant Mount Kit	LHB-2FT-WG 2ft 110 & 165W	6'-WHIP-1/2KO 6' Whip	S-TWC-MW-1 Microwave	S-LINE-R Remote
SK-20FT-Y-LC-PD 20' Y-Shape, Loop Top, Paddle Bottom (Adjustable Length)	LHB-3P-SM 165W, 220W, 320W Surface Mount Kit	LHB-3P-4FT-WG 2ft 220 & 320W	10'-WHIP-1/2KO 10' Whip	+ Daylight Sensor (Remote Req'd)	for S-Line Sensor
SK-10FT-Y-LC-CB 10' Y-Shape, Loop Top, Carabiner Bottom (Adjustable Length)			Custom whips to size available	S-TWC-PIR-1 PIR Bi-Level Motion	ENVISION CONNECT Bluetooth or Android smart app.
SK-20FT-Y-LC-CB 20' Y-Shape, Loop Top, Carabiner Bottom (Adjustable Length)			20'-WHIP-1/2KO 20' Whip	+ Daylight Sensor (Remote Req'd)	Download on Apple or Android app store.
CK-6FT-V 6' chain hanging kit			Custom whips to size available	S-TWC-PIR-BT PIR Microwave Bi-Level Motion	+ Daylight Sensor

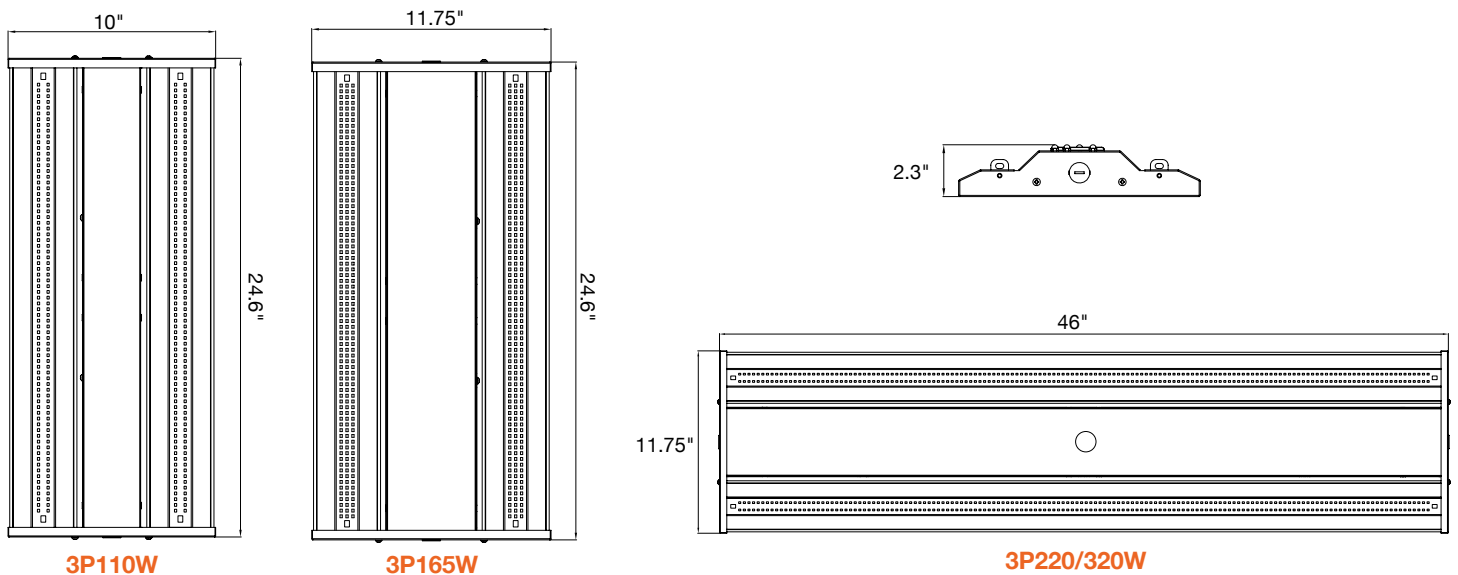
Slim-Line: Linear High Bays

3-Power Selectable

FEATURES



DIMENSIONS



ACCESSORIES



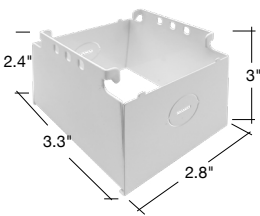
SK-10FT-Y-LC-PD
SK-20FT-Y-LC-PD



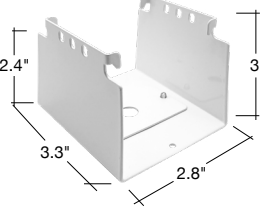
SK-10FT-Y-LC-CB
SK-20FT-Y-LC-CB



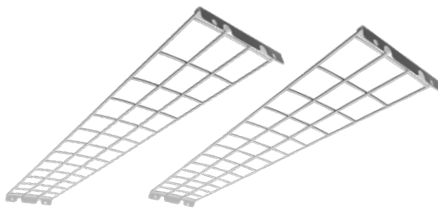
CK-6FT-V



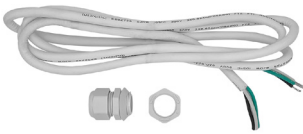
Pendant Mount 2ft
LHB-2FT-3P-PDM
Center Hole Size .85"



Surface Mount 2ft
(2 Pcs)
LHB-2FT-3P-SM
Center Hole Size 1"
Center Hole Size
w/ Plate .43"



LHB-2FT-WG
LHB-3P-4FT-WG



6'-WHIP-1/2KO
10'-WHIP-1/2KO
20'-WHIP-1/2KO



S-TWC-MW-1
S-TWC-MW-BT



S-TWC-PIR-1
S-TWC-PIR-BT



S-LINE-R
Controller



SB
5-15P Straight
Blade Plug



TL
L5-15P Twist
Lock Plug

HIGHBAY FIXTURE

Accessory Model	Description
LED-LHB-2FT-3P110-F-40K-UNV	Linear Highbay 2ft 3 Power Select w/ Twist-It Technology
LED-LHB-2FT-3P110-F-50K-UNV	Linear Highbay 2ft 3 Power Select w/ Twist-It Technology
LED-LHB-2FT-3P165-F-40K-UNV	Linear Highbay 2ft 3 Power Select w/ Twist-It Technology
LED-LHB-2FT-3P165-F-50K-UNV	Linear Highbay 2ft 3 Power Select w/ Twist-It Technology
LED-LHB-4FT-3P220W-F-40K-UNV	Linear Highbay 4ft 3 Power Select w/ Twist-It Technology
LED-LHB-4FT-3P220W-F-50K-UNV	Linear Highbay 4ft 3 Power Select w/ Twist-It Technology
LED-LHB-4FT-3P320W-F-40K-UNV	Linear Highbay 4ft 3 Power Select w/ Twist-It Technology
LED-LHB-4FT-3P320W-F-UNV-50K	Linear Highbay 4ft 3 Power Select w/ Twist-It Technology

SUSPENSION KITS

Accessory	Description
SK-10FT-Y-LC-PD	10' Y-Shape, Loop Top, Paddle Bottom (Adjustable Length)
SK-20FT-Y-LC-PD	20' Y-Shape, Loop Top, Paddle Bottom (Adjustable Length)
SK-10FT-Y-LC-CB	10' Y-Shape, Loop Top, Carabiner Bottom (Adjustable Length)
SK-20FT-Y-LC-CB	20' Y-Shape, Loop Top, Carabiner Bottom (Adjustable Length)
CK-6FT-V	6' Chain Hanging Kit

MOUNTING KITS

Accessory Model	Description
LHB-3P-PDM	LHB: Pendant mount bracket up to 320W
LHB-3P-SM	LHB: Surface mount bracket up to 320W

WIRE GUARDS

Accessory Model	Description
LHB-2FT-WG	Linear Highbay Wire Guard 2ft
LHB-3P-4FT-WG	Linear Highbay Wire Guard 4ft

WHIPS (FIELD INSTALL)

Accessory Model	Description
6'-WHIP-1/2KO	6' Whip
10'-WHIP-1/2KO	10' Whip
20'-WHIP-1/2KO	20' Whip

SENSORS

Accessory Model	Description
S-TWC-MW-1	Microwave Bi-Level Motion + Daylight Sensor (Remote Req'd)
S-TWC-PIR-1	PIR Bi-Level Motion + Daylight Sensor (Remote Req'd)
S-TWC-MW-BT	Bluetooth Microwave Bi-Level Motion + Daylight Sensor
S-TWC-PIR-BT	PIR Microwave Bi-Level Motion + Daylight Sensor

SENSOR REMOTE

Accessory Model	Description
S-LINE-R	Remote for S-Line Sensor
ENVISION CONNECT	Bluetooth smart app. Download on Apple and Android.

PLUG

Accessory Model	Description
SB	5-15P Straight Blade Plug
TL	L5-15P Twist Lock Plug