

1" Mini Low Voltage Downlight

Non-Adjustable Series



Detail Specification:

- Finish: White, Black, Bronze, Round, Square
- IP54 Wet Location Rated
- Beam Angle: 38° standard
- Wattage: 6W
- Lumens: 500
- CCT: 3000K
- Chip: COB Chip, R9 >50, CRI >90
- 3 Step MacAdam Ellipses
- Operating Temperature: -40° - 114° F
- Lens: Clear COB
- Average life (L70) of 50,000 hours

Applications:

- Accent Lighting
- Displays, Cabinets, Bars
- Residential & Multifamily

Product Information:

- Various sizes, finishes, and trims available
- Standard white round trim included: optional trims available
- Metal housing and trim for better heat dissipation
- Must use 12V low voltage driver
- SnapTrim Canless: Spring clips with remote j-box eliminates can

Driver Options:

- 12V electronic constant voltage Class 2 drivers required

Mounting & Installation:

- Cut Out Dimension: 2"
- Optional new construction plate available
- This fixture does not fit into a recessed can
- No housing needed in remodel applications, tension clips mount into 1/8" to 1.5" thick ceiling
- Can be removed from below the ceiling for service or replacement

Certifications:

- ETL Listed for USA and CA
- CA Title 24 JA8-2022 CEC Listed
- 5 Year Limited Warranty
- FCC CFR 47, GCC Part 15, Subpart B:2017
- IC Rated and ASTM-E283 Air-Tight

Series

LED-MDL-1-6W-30K-RD-WH-12V – Voltage Downlight – White Round Trim

Beam Angle

(Blank)
 38° Degree
24D
 24° Degree

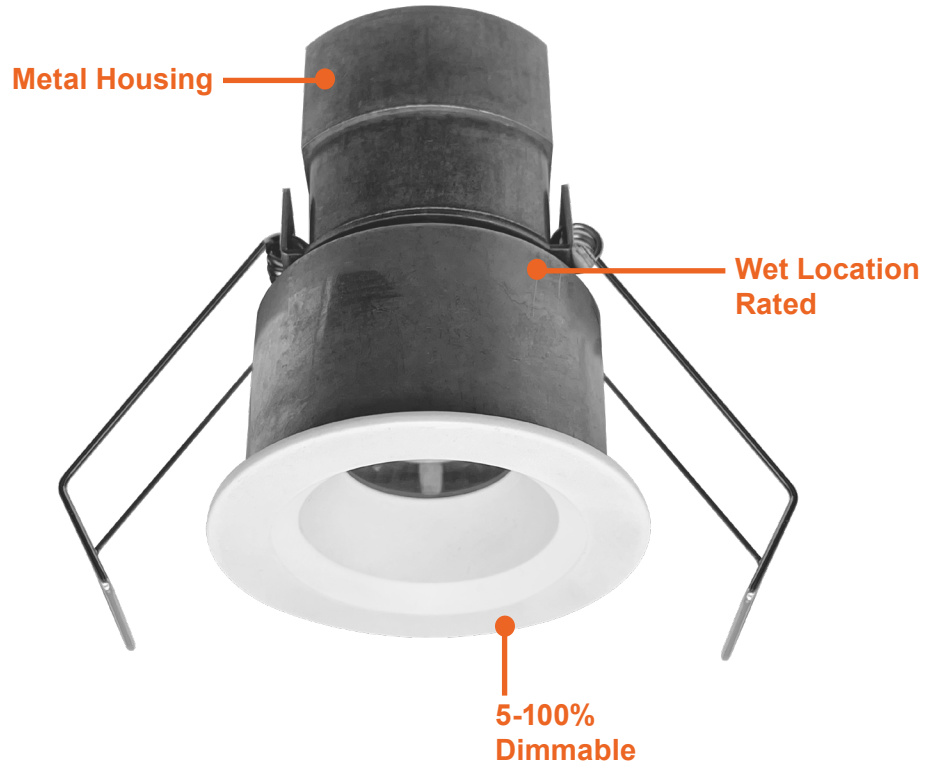
Optional Accessories (Order Separately)

Trim Options	New Construction Plates	Drivers	Optics
MDL-TRIM-RD-BLK Round Black	CUNV-NC-ICAT-7H 1, 2, 3, 3.5, 4, 5, 6" w/ hanging bars	CV-12V-DC-20W-DIM Connect up to 3 fixtures	MDL-24°-OPTIC Degree Field Installable
MDL-TRIM-RD-BZ Round Bronze		CV-12V-DC-60W-DIM Connect up to 9 fixtures	
MDL-TRIM-SQ-WH Square White		CV-12V-DC-150W-DIM Connect up to 20 fixtures	
MDL-TRIM-SQ-BLK Square Black			
MDL-TRIM-SQ-BZ Square Bronze			

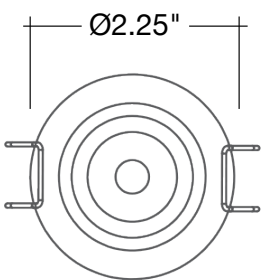
1" Mini Low Voltage Downlight

Non-Adjustable Series

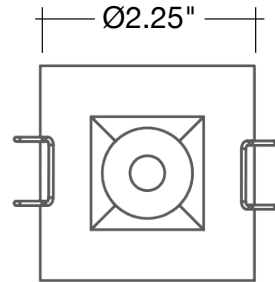
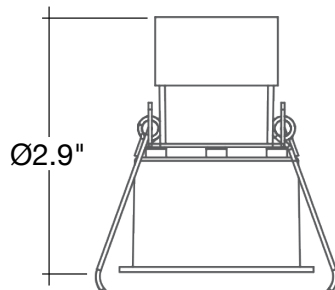
FEATURES



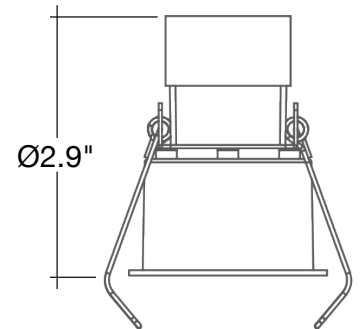
DIMENSIONS



1" Mini Round



1" Mini Square



ACCESSORIES



-BLK-R

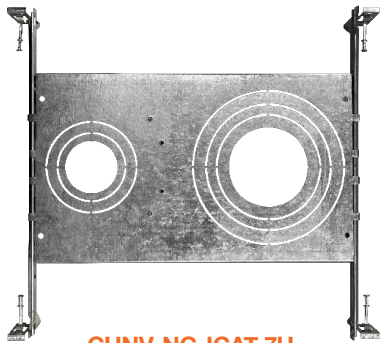
-BZ-R



-SQ-BZ

-SQ-BLK

-SQ-WH



CUNV-NC-ICAT-7H
Universal Pre-Mounting Plate
13 7/8" x 15 1/8"



CV-12V-DC-20W-DIM
CV-12V-DC-60W-DIM
CV-12V-DC-150W-DIM



MDL-24°

Fixture Model	Voltage	Watts	Lumens	Color	CRI
LED-MDL-1-6W-30K-RD-WH-12V	12V	6W	500	3000K	>90

TRIMS

Accessory Model	Description
MDL-TRIM-RD-BLK	1" Mini Downlight Round Black Trim
MDL-TRIM-RD-BZ	1" Mini Downlight Round Bronze Trim
MDL-TRIM-SQ-WH	1" Mini Downlight Square White Trim
MDL-TRIM-SQ-BLK	1" Mini Downlight Square Black Trim
MDL-TRIM-SQ-BZ	1" Mini Downlight Square Bronze Trim
MDL-24°-OPTIC	1" Mini Downlight Optic Lens 24°

CONSTRUCTION PLATES

Accessory	Description
CUNV-NC-ICAT-7H	1" 2"3" 3.5" 4" 5" 6" Universal Pre-Mounting New Construction Plate (Round fixtures only)

DRIVERS

Accessory	Description	Watts
CV-12V-DC-20W-DIM	Input: 120-277V Output: 12V DC	20w
CV-12V-DC-60W-DIM	Input: 120-277V Output: 12V DC	60w
CV-12V-DC-150W-DIM	Input: 120-277V Output: 12V DC	150w

OPTICS

Accessory	Description
MDL-24°	Field Installable 24 Degree Lens

TESTED COMPATIBLE DIMMERS

Other dimmers may be compatible but have not been tested. Please contact us for more information.
TRIAC/ELV Dimmers

Lutron	Leviton	Legrand	Cooper
AYCL-153P	6633	ADTP703TU	9540
DV-600PR	6674	H703PTW	DAL06P
DVCL-153P	6602		
MACL-153MH	IPL06		
MRF2-6CL			
D-600P			