

Project: _____ Part #: _____
Type: _____

Photocell



Electronic Twist-On Photocell

NEMA 3P



The EnvisionLED photocell is compatible with NEMA 3P receptacles (EnVision Model#: PC-TWL-RC).

Detail Specifications:

- Wet location IP65
- Operating Temperature: -40° - 158° F
- Max Load: 8A@120V/ 5A@208-277V
- Power Consumption: 3W
- Voltage: 120-277V
- RF: 50/60Hz

Applications:

- Outdoor lighting fixtures
- Retrofit onto existing fixtures

Product Information:

- On/Off photocell
- Turns the fixture on during night time
- Turns the fixture off during daylight
- Fail detection: photocell deactivates

Mounting & Installation:

- Includes silicone gasket for waterproofing

Certifications:

- UL Listed or USA & CA
- ANSI C136.10-2010

Series

PC-TWL-UNV

Specs and model numbers are subject to change with or without notice.

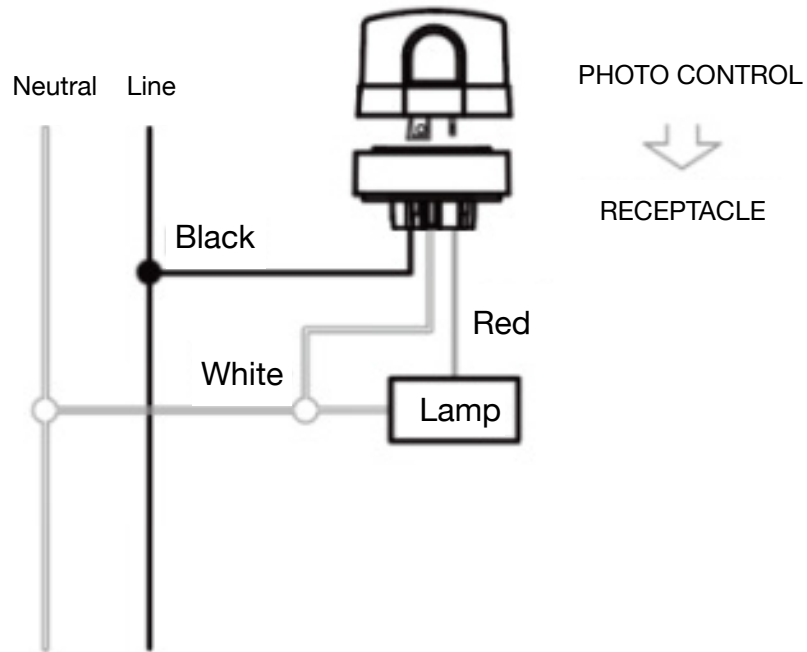
Rev. 05.24

Electronic Twist-On Photocell

NEMA 3P

INSTALLATION

Disconnect power, wire the receptacle according to the diagram below.



An arrow indicating NORTH on the top of the receptacle is used to assist correct direction. Adjust the receptacle position if possible, when the fixture is installed in field.

DIMENSIONS

