

# LED Commercial Growlight

## FULL SPECTRUM



### Detail Specifications

- Finish: Dark Gray
- IP Rating: IP65 Wet Location
- Beam Angle: 120°
- Chip: SMD, Full Spectrum
- Operating Temperature: -4° - 122° F
- Operating Humidity: 10-90%
- Lens: Clear with optics
- Average life (L70) of 50,000 hours

### Applications

- Growing Facility
- Horticulture
- Indoor without sun
- Greenhouse with daytime sun

### Product Information

- Aluminum housing
- Replace existing fixtures or use in new construction
- Foldable design for easy transportation
- Compact design for easier installation
- Select-n-Switch Technology: 5-Power Selectable
- Power selection: 100%/75%/50%/25%/ Manual Dimming Lumen Modes

### Driver Options

- UNV: 120-277V 0-10V Dimmable
- Compatible with horticultural ethernet control systems
- THD: <20% (+/-5% tolerance), PF >0.9, 50/60Hz

### Mounting & Installation

- 6' adjustable suspension kit included
- 10' power cord included
- Linkable connector to daisy chain multiple fixtures included

### Why QUBES FULL SPECTRUM for your next project?

- Works in both indoor or greenhouse applications
- Competitors grow lights are specific for certain applications
- QUBE grow lights work in both settings

### Certifications

- UL Listed for USA and CA
- Approved for CA T24
- 5 Year Limited Warranty
- FCC CFR 47, GCC Part 15, Subpart B:2017



**Foldable design for easy transportation**

#### Item

**QB-FSG-8B-7T660W**

1716  $\mu$ mol/s

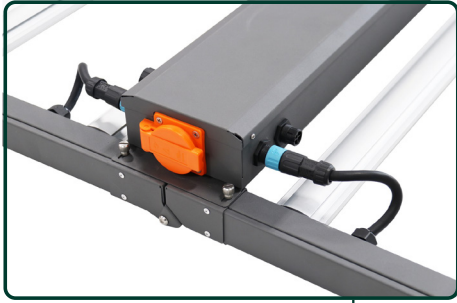
**QB-FSG-8B-7T960W**

2596  $\mu$ mol/s



# LED Commercial Growlight

Jumper cables allow for attached multiple fixtures together



Power control knob allows you to adjust the power for any stage of plant life



8 bar design allows for more power, even light distribution, better heat dissipation, and longevity



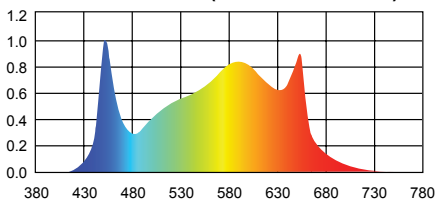
Full spectrum LED chips for cannabis use



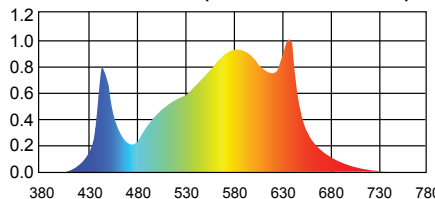
Foldable design for better handling

## SPECTRUM

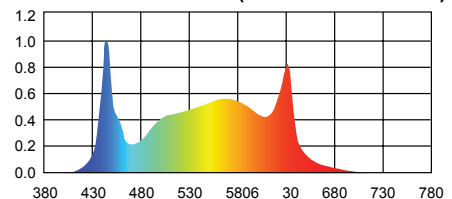
FULL SPECTRUM (QUBE GROW LIGHTS)



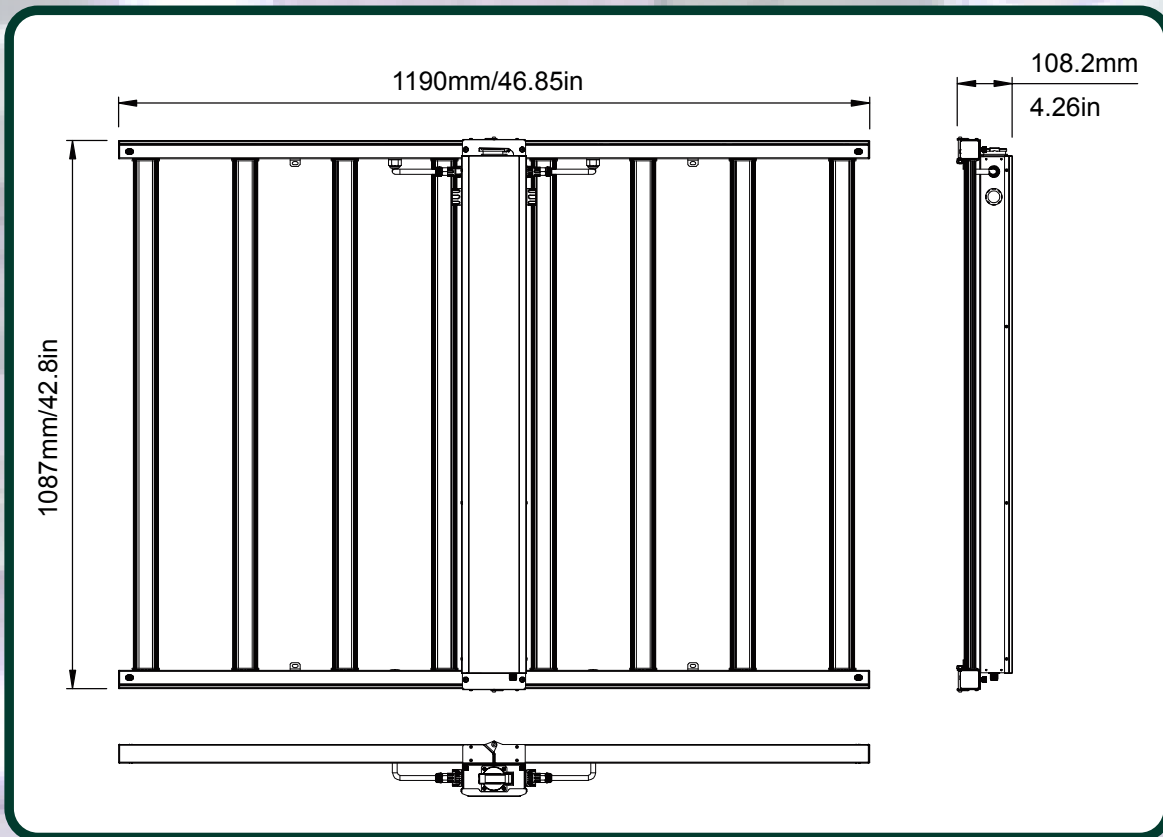
INDOOR SPECTRUM (COMPETITOR MODELS)



GREENHOUSE SPECTRUM (COMPETITOR MODELS)



# 660W



# 960W

