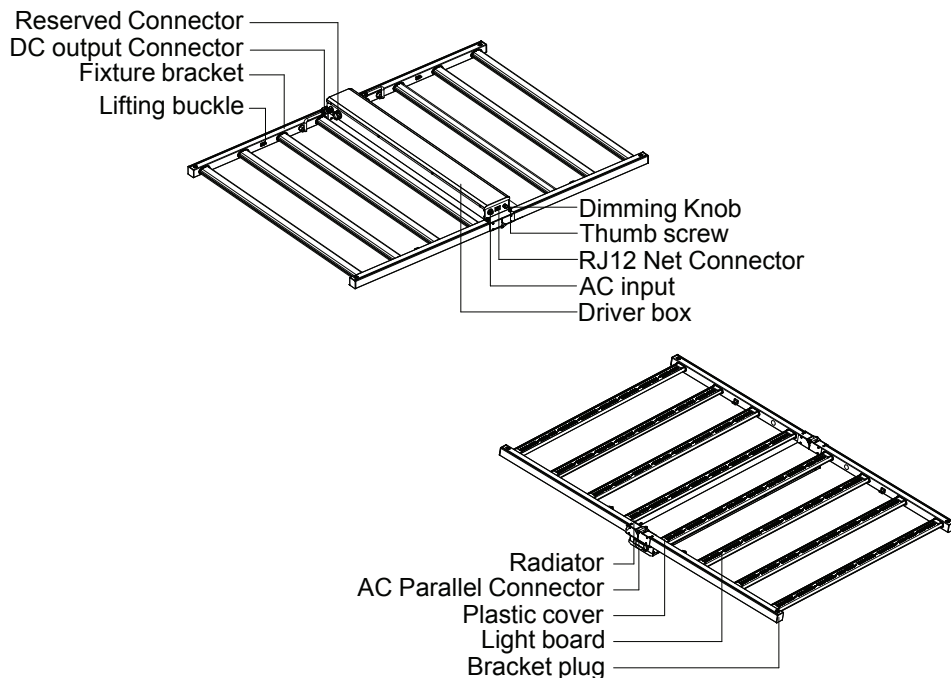


Qube LED Commercial Growlight Installation Instructions

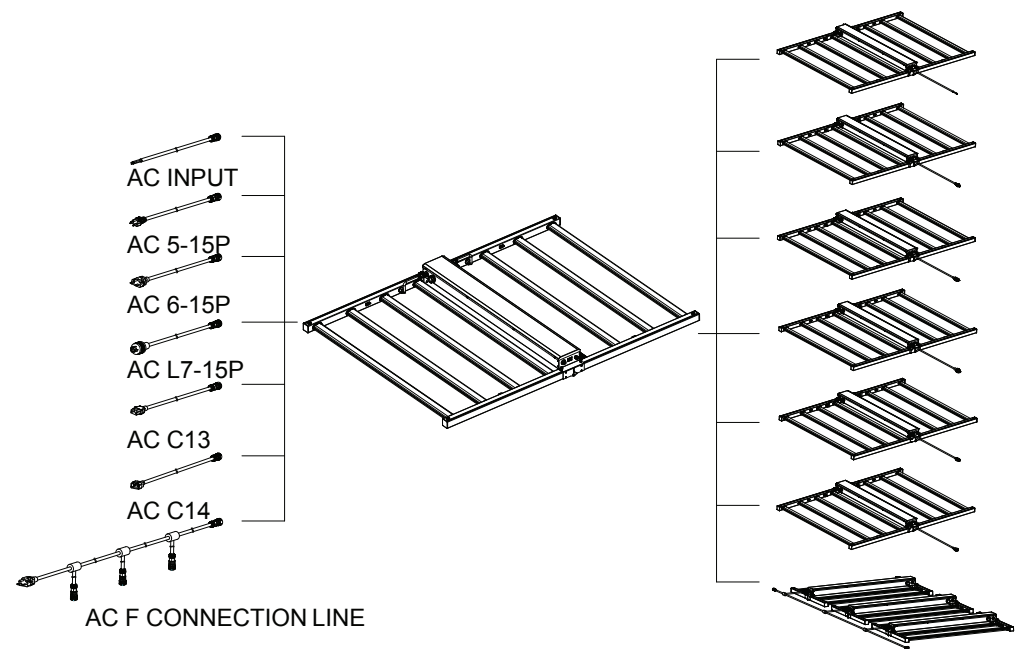
Caution:

1. Please do not view the lighted lamps with naked eyes directly.
2. Please do not disassemble, modify or repair this product by yourself.
3. Please do not knock or drop this product, repeated knocks may cause internal damage.
4. When installing this product, please do not operate with power on.
5. To prevent product failure and/or electric shock, this product must be properly grounded.
6. When installing the lamp, please comply with relevant national, regional and local laws and regulations.
7. When the lamps are connected in parallel, the max connection of 480W is 4 lamps, the max connection of 660W is 3 lamps, the max connection of 960W is 2 lamps
8. When the lamps are used for parallel dimming, up to 20 lamps can be connected, and the dimming knobs will be adjusted to the factory default EXT gear.



Optional AC input line and installation diagram:

The lamp has 7 kinds of AC input lines to choose from, the following is a schematic diagram or different input lines after installation.



Installation of wire sling:

1. Take the driver out of the box. (Figure 1)
2. Take the light out and unfold. (Figure 2)
3. Assemble the driver box to unfold fixture with thumb screw. (Figure 3)
4. Connect DC output connector to the corresponding interface of the driver box. (Figure 4)
5. Open the accessory package, find the wire sling, and hang it on the lifting buckle with the hook above. (Figure 5)
6. Hang the 1/8" lifting pulley sling hook on the fixed hook and adjust it to a suitable height through the lifting device. (Figure 6)
6. Hang the 1/8" lifting pulley sling hook on the fixed hook and adjust it to a suitable height through the lifting device. (Figure 6)
7. Hang the assembled light on the 1/8" lifting pulley sling hook. (Figure 7)
8. Power can be turned on after the installation is complete, then using the manual dimming knob to adjust to the required power. (Figure 8)
9. If the lamps need to be in parallel, please complete the above steps, then plug the AC input cord into the AC parallel socket (Figure 9)
10. If the parallel lights need dimming function, pls connect the network cable in the accessory to the RJ12 network cable connector of the driver box. (Figure 10)

Notice:

1. When connecting the DC output cable waterproof connector, please pay attention to the corresponding position of the connector.
2. When the expansion plan is not used, the reserved connector needs to be covered with a waterproof plug to prevent electric shock.

3. When using dimming in parallel, one end of the internet cable need to connect to output port of first fixture, and the other end needs to connect to the input port of second fixture. So do the rest fixtures.
4. All the dimming knobs need to be adjusted to the EXT position before shipment

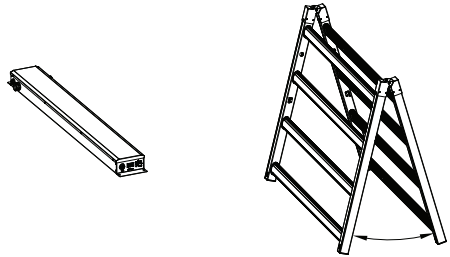


Figure 1

Figure 2

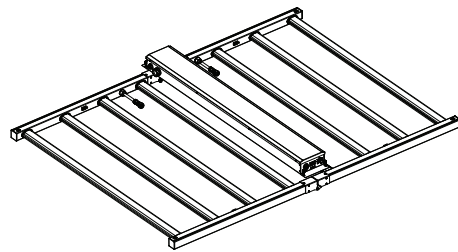


Figure 3

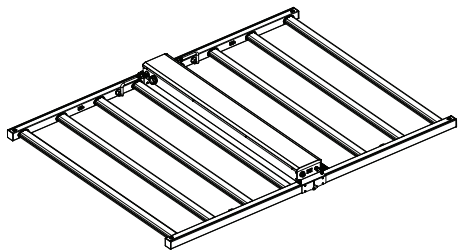


Figure 4

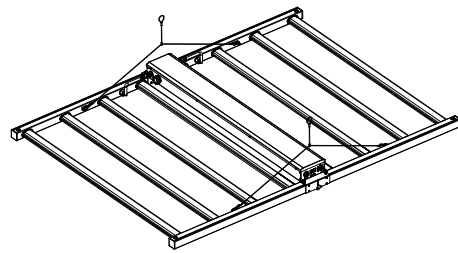


Figure 5

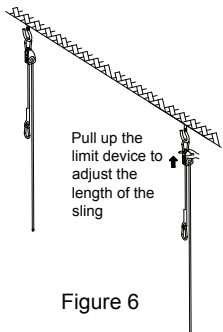


Figure 6

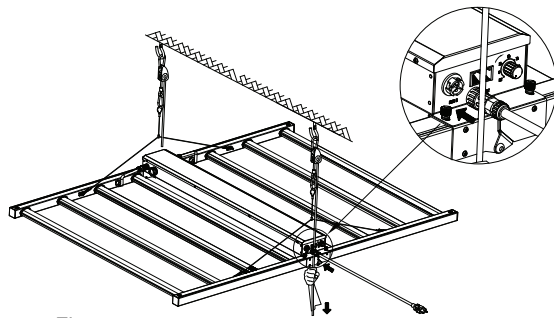
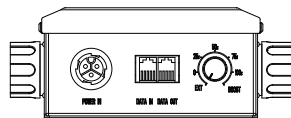


Figure 7



Driver box dimming side

The power list of each gear under the steady state of 120V

Gear Power	EXT	EXT	0	25%	50%	75%	100%	BOOST
480W	0-10V signal	500W	Manual dimming	120W	240W	360W	480W	500W
660W	0-10V signal	700W	Manual dimming	165W	330W	495W	660W	700W
960W	0-10V signal	1000W	Manual dimming	240W	480W	720W	960W	1000W

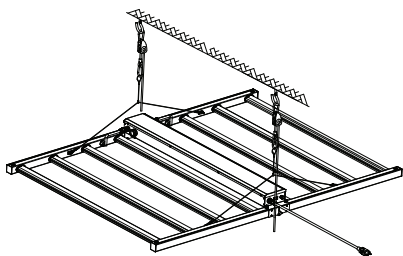


Figure 8

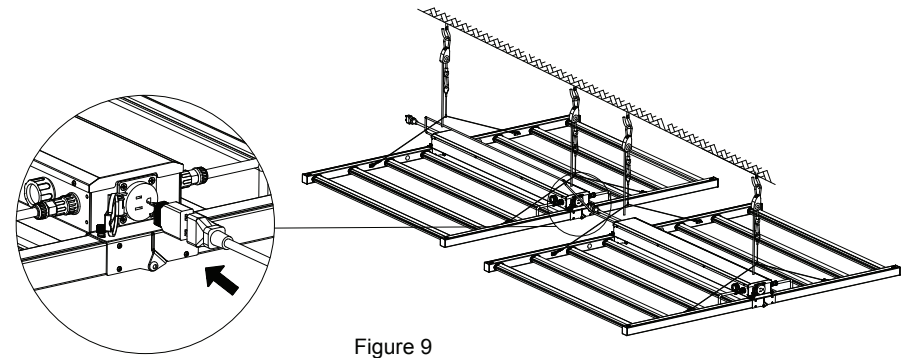


Figure 9

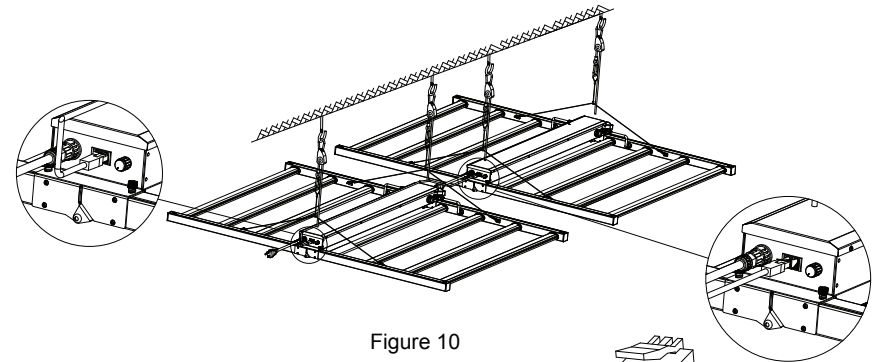


Figure 10

Pin Out (RJ12)



Warning/Avertissement

SUITABLE FOR DAMP LOCATIONS
 NOT FOR INTRA CANOPY USE
 SUITABLE FOR OPERATION IN AMBIENT NOT EXCEEDING 122°F
 CAUTION - RISK OF FIRE
 MIN 194°F SUPPLY CONDUCTORS