

LED Commercial Growlight

FULL SPECTRUM



Detail Specifications

- Finish: Dark Gray
- IP Rating: IP65 Wet Location
- Beam Angle: 120°
- Chip: SMD, Full Spectrum
- Operating Temperature: -4° - 122° F
- Operating Humidity: 10-90%
- Lens: Clear with optics
- Average life (L70) of 50,000 hours

Applications

- Growing Facility
- Horticulture
- Indoor without sun
- Greenhouse with daytime sun

Product Information

- Aluminum housing
- Replace existing fixtures or use in new construction
- Foldable design for easy transportation
- Compact design for easier installation
- Select-n-Switch Technology: 5-Power Selectable
- Power selection: 100%/75%/50%/25%/ Manual Dimming Lumen Modes

Driver Options

- UNV: 120-277V 0-10V Dimmable
- Compatible with horticultural ethernet control systems
- THD: <20% (+/-5% tolerance), PF >0.9, 50/60Hz

Mounting & Installation

- 6' adjustable suspension kit included
- 10' power cord included
- Linkable connector to daisy chain multiple fixtures included

Why QUBES FULL SPECTRUM for your next project?

- Works in both indoor or greenhouse applications
- Competitors grow lights are specific for certain applications
- QUBE grow lights work in both settings

Certifications

- UL Listed for USA and CA
- Approved for CA T24
- 5 Year Limited Warranty
- FCC CFR 47, GCC Part 15, Subpart B:2017



Foldable design for easy transportation

Item

QB-FSG-8B-7T660W

1716 μmols

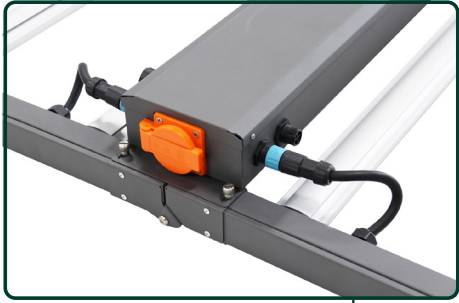
QB-FSG-8B-7T960W

2596 μmols



LED Commercial Growlight

Jumper cables allow for attached multiple fixtures together



Power control knob allows you to adjust the power for any stage of plant life



8 bar design allows for more power, even light distribution, better heat dissipation, and longevity



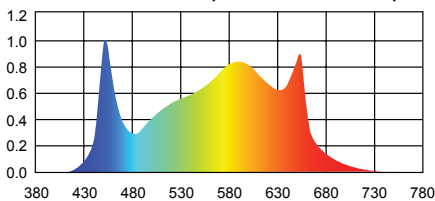
Full spectrum LED chips for cannabis use



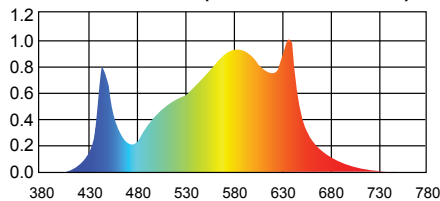
Foldable design for better handling

SPECTRUM

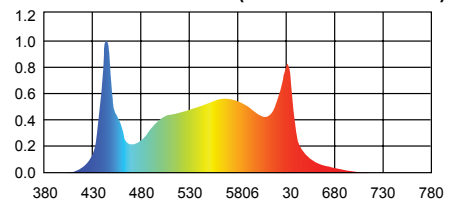
FULL SPECTRUM (QUBE GROW LIGHTS)



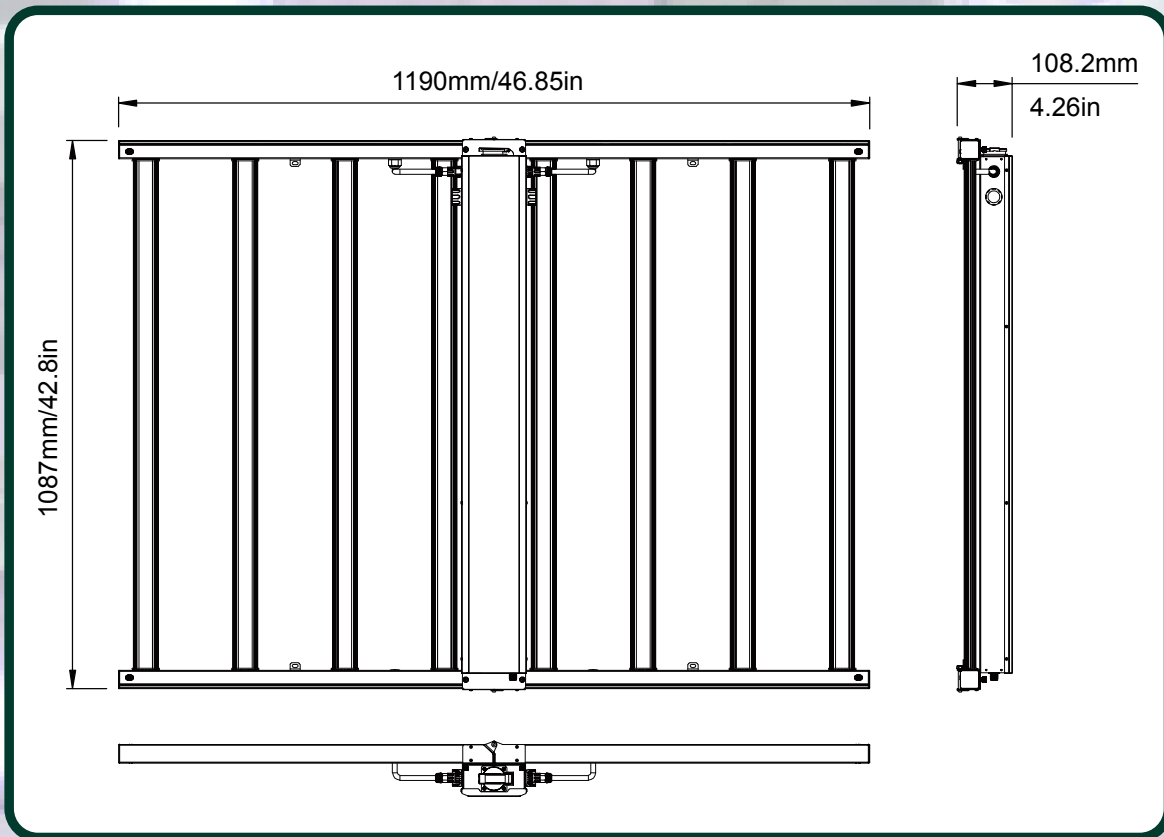
INDOOR SPECTRUM (COMPETITOR MODELS)



GREENHOUSE SPECTRUM (COMPETITOR MODELS)



660W



960W

