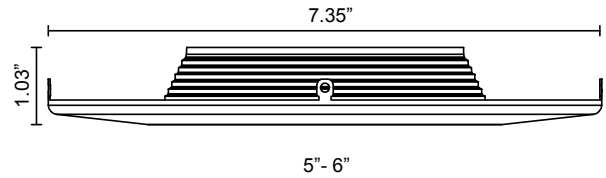
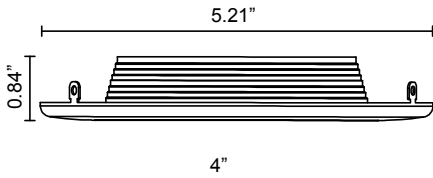


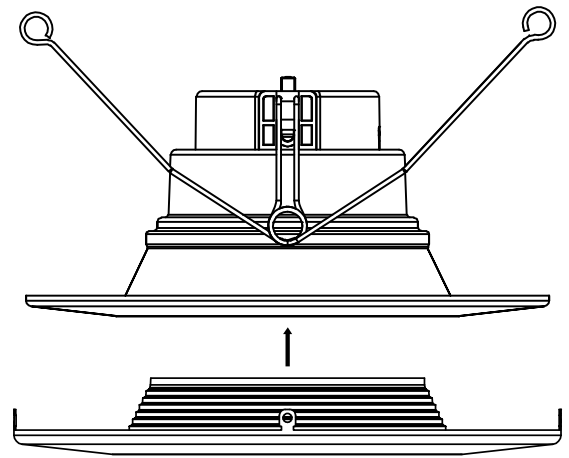
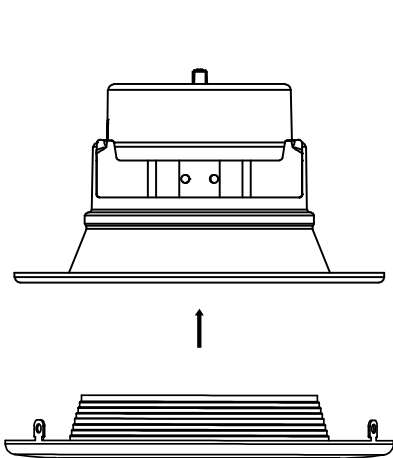
Recessed Trim Installation Instructions

Dimensions

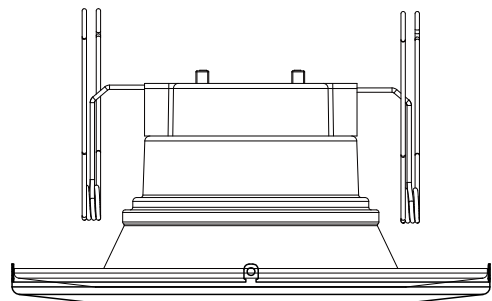
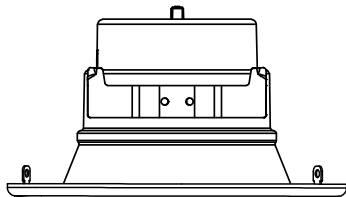


Easy Installation without tools

1. Choose the corresponding interchangeable trim according to the size of downlight.



2. Cover the interchangeable trim on the downlight.



3. Flatten each protruding part that fixed on the downlight.

