

Installation Instruction

Cautions:

1. Can not use the electric generator to test the LED lamp.
2. Please abide by related country, regional and local law and regulations when install this fixture.
3. Please turn off the power before installation or maintenance.
4. Proper earth grounding is required to ensure safety.
5. Dimming wire can not be used if sensor is connected.

Notice:

1. To avoid possibility of electrical shock or fire, the installation personnel must have professional electric knowledge.
2. Please wear gloves to avoid injury before installation.
3. If any smoke or spark of the wire happened, please turn off the power immediately and notify relevant personnel.

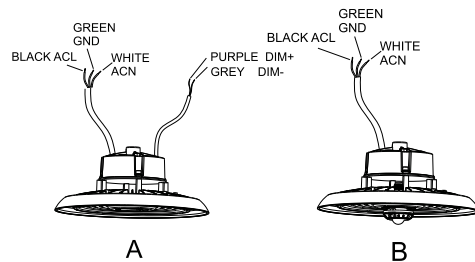
Attention:

1. Please check if there is any damage during shipping. If so, please contact manufacturer timely.
2. Please read the installation instruction carefully to check whether all the accessories are complete. After confirmation, then install the fixture according to installation steps.

Wiring Diagram & Instruction:

This led highbay light can be equipped with optional DC motion sensor, and is available with 0-10V dimming function, with following 3 dimming solutions:

1. 0-10V dimming,
2. Intelligent dimming with DC motion sensor,
3. Pre-install tool-free handling DC motion sensor dimming module, and choose dimming function freely.



Installation Methods: Hook Mount, Ceiling Mount, 1/2"NPT Mount. (Please choose the most suitable installation method for the purchased product as per your needs)

Hook Mount:

1. Screw the hook into the fixture, tighten and fix it. (figure 1)
2. Hang the fixture on the ceiling hook or chain. (figure 2)
3. After installation, connect the wire of the fixture to the mains according to local wiring rules, ensure the connection is stable and make good protection on the connection.

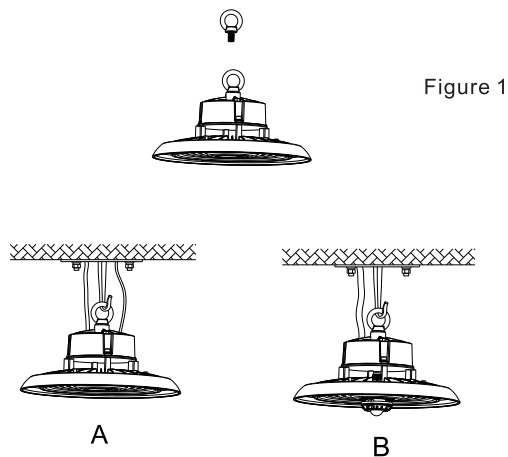
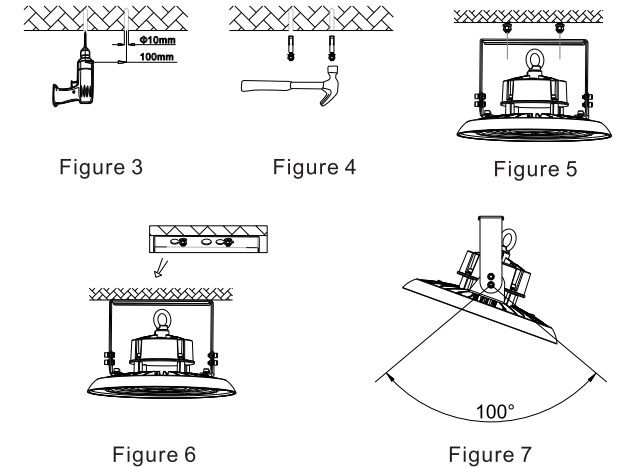


Figure 2

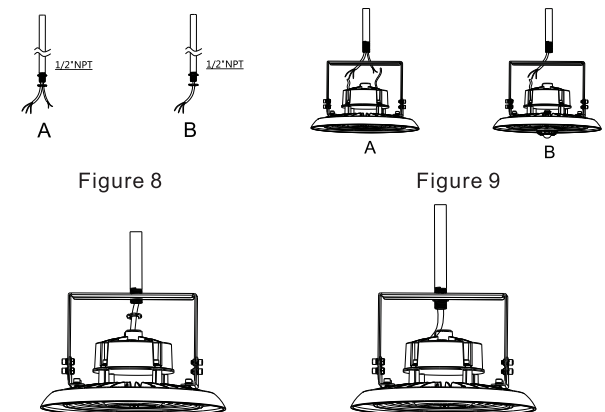
Ceiling Mount:

1. Mark with a mark pen or sharp tool on the mounting surface and drill. (figure 3)
2. Fix screws into the holes with a hammer. (figure 4)
3. Align the bracket hole with screw hole (figure 5), and push the fixture to one side (figure 6) and fix it.
4. After installation, connect the wire of the fixture to the mains according to local wiring rules, ensure the connection is stable and make good protection on the connection. By adjusting the brackets screws, users can adjust 50° to the left or right vertically. (figure 7)



1/2"NPT Mount

1. Unscrew the nuts on 1/2" NTP. (figure 8)
2. Insert 1/2" NTP stem into the bracket hole. (figure 9)
3. Re-screw the nuts. (figure 10)
4. After installation, connect the wire of the fixture to the mains according to local wiring rules, ensure the connection is stable and make good protection on the connection. By adjusting the brackets screws, users can adjust 50° to the left or right vertically. (figure 11)



Installation of DC motion sensor

The fixture has integrated function 3 Power selectable. The setting could be customized. Operation: Take away the water-proof gasket, adjust dip switch to choose Power as per sign. The original setting could be either as factory default or customized request (Figure 12-2).

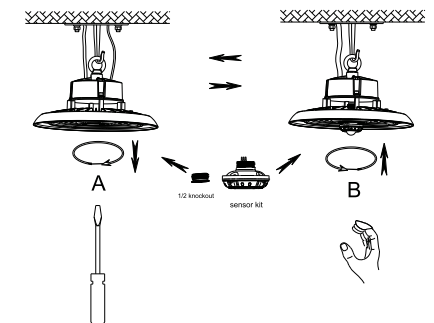


Figure 12-1