

RHB3 UFO High Bays

3-CCT + 3-Power Selectable



WATT	LUMENS
60	8,400
100	14,000
150	21,000
180	25,200
210	29,400
240	33,600

Detail Specifications:

- Finish: Black or White
- IP Rating: IP67 Wet Location
- Beam Angle: 110°
- Chip: SMD 2835, R9 >50, CRI >80
- 3 Step MacAdam Ellipses
- Operating Temperature: -40° - 113° F
- - With Sensor: -22° - 113° F
- Lens: Clear Acrylic
- Average life (L70) of 70,000 hours

Applications:

- Warehouse/Distribution Facility
- Utility & Storage
- Garage Structures
- Commercial and Industrial

Product Information:

- Sturdy die-cast aluminum housing finished with corrosion free powder coat
- Replace existing fixtures or use in new construction
- Instant-On to full brightness
- Select-n-Switch Technology: 3-CCT + 3-Power Selectable
- Twist-C Control: Control ready receptacle built into each fixture

Driver Options:

- UNV: 120-277V 0-10V Dimmable
- HV: 277-480V 0-10V Dimmable
- THD: <20% (+/-5% tolerance), PF >0.9, 50/60Hz
- Flicker Free

Mounting & Installations:

- 6' whip included
- Optional pendant mount for 1" pipe available
- Optional surface mount kits available

Certifications:

- UL Listed for USA and CA
- DLC Listed
- ROHS Compliant
- Approved for CA T24
- 5 Year Limited Warranty
- FCC CFR 47, GCC Part 15, Subpart B:2017

Series	Finish	Whip	Voltage 1	EMB	Surge Protector
LED-RHB3-3P150W-CTRI 60/100/150W 35/40/50K 120-277V	BL Black WH White	6 6' Whip (Incl.) CS Extend to Custom Length	(Blank) 120-277V HV 1 347-480V	(Blank) No Emergency Backup EMB 90 Minute Emergency Backup SEMB Surface Mount 90 min Emergency Backup	(Blank) 6KV Built In 20KV Surge Protector
LED-RHB3-3P240W-CTRI 180/210/240W 35/40/50K 120-277V					

1. HV requires assembly.

Optional Accessories (Order Separately)

Sensors	Remote for Sensors	Reflector	Reflector Bottom Cover	Wire Guards	Mounting Kits 1	Emergency 2 Backup
HB01DMS-A Bi-Level Motion + Daylight Sensor	HB03R Remote	RHB3-100/150-ALM-RF-90 Aluminum Reflector for 100 & 150W	RHB3-UNV-ACR-BC Acrylic Lens	RHB3-100/150-WG Wire Guard for 100 & 150W	RHB-100/150-SM Surface Mount Kit for 100 & 150W	LED-EMB-30W-HV-UFO Emergency Backup
		RHB3-240-ALM-RF-90 Aluminum Reflector for 240W		RHB3-240-WG Wire Guard for 240W	RHB-240-SM Surface Mount Kit for 240W	UFO-TEST-CTR Test Button Controller
		RHB3-100/150-ACR-RF 90° Acrylic Reflector for 100 & 150W			RHB-PDM-HK 1" Pip Pendant Mount	
		RHB3-240-ACR-RF 90° Acrylic Reflector for 240W				

1. Reflectors and wire guards can't be mixed together. i.e. if fixture uses a reflector, it won't work with a wire guard.
 2. Custom emergency backup option available in surface mount applications. Contact us for more information.

RHB3 UFO High Bays

3-CCT + 3-Power Selectable

FEATURES

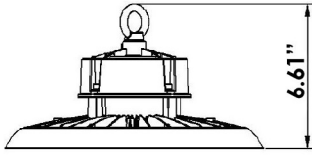


RHB3 UFO High Bays

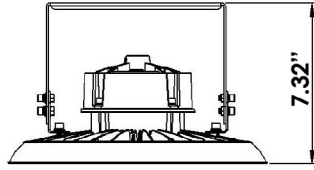
3-CCT + 3-Power Selectable

DIMENSIONS

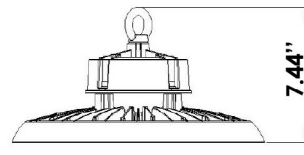
Pendant Mount



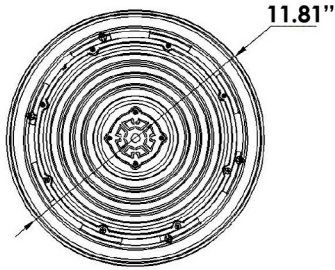
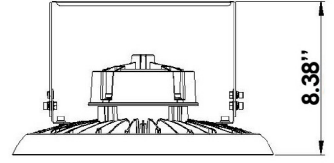
Surface Mount



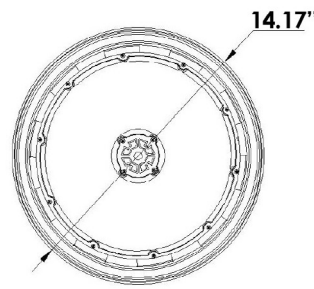
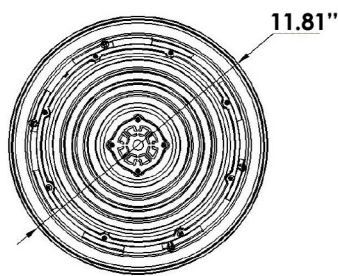
Pendant Mount



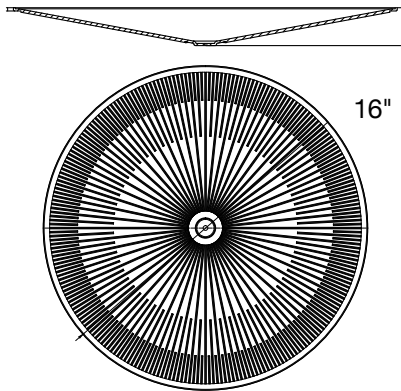
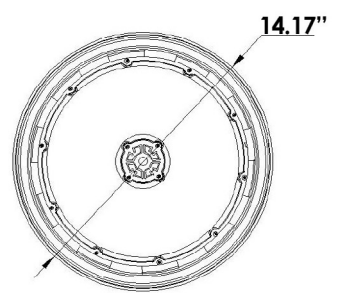
Surface Mount



3P150W



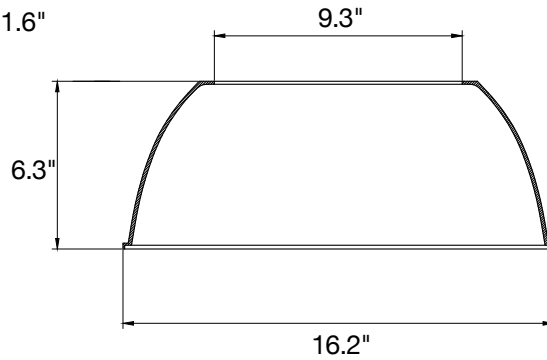
3P240W



Acrylic Bottom Cover (90°)

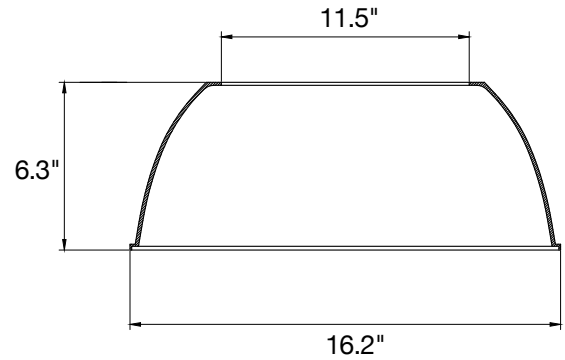
RHB3-UNV-ACR-BC

Only Compatible with ACR Reflectors



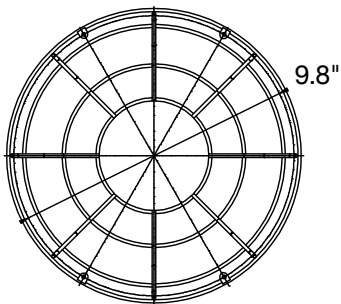
Acrylic Reflector (90°)

RHB3-100/150-ACR-RF



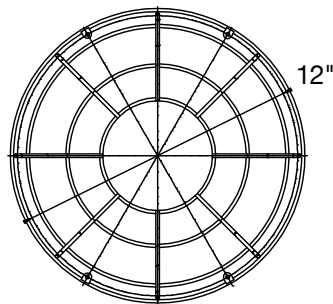
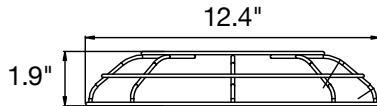
Acrylic Reflector (90°)

RHB3-240-ACR-RF



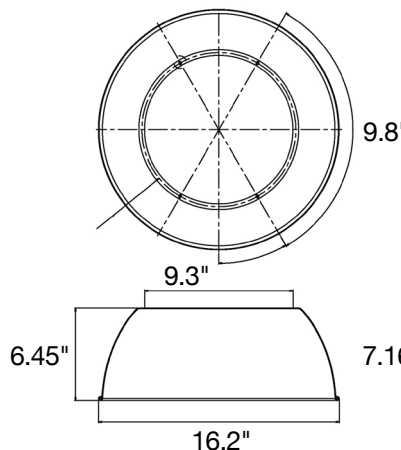
Wire Guard

RHB3-100/150-WG



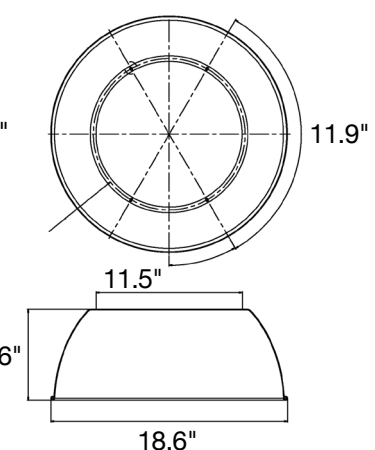
Wire Guard

RHB3-240-WG



Aluminum Reflector

RHB3-100/150-ALM-RF-90



Aluminum Reflector

RHB3-240-ALM-RF-90

RHB3 UFO High Bays

3-CCT + 3-Power Selectable



RHB30100/150-ALM-RF-90
RHB3-240-ALM-RF-90



RHB3-100/150-ACR-RF
RHB3-1240-ACR-RF



RHB3-UNV-ACR-BC



Acrylic Reflector
Bottom Cover & Sensor



RHB3-100/150-WG
RHB3-240-WG



RHB-PDM-HK



RHB-100/150-SM
RHB-240-SM



LED-EMB-30W-HV-UFO



UFO-TEST-CTR



HB03R



HB01DMS-A

Model	Voltage	Watts	Lumens	Color	CRI
LED-RHB3-3P150-CTRI-BL-6'	120-277V	60/100/150w	130lm/w	35/40/35k	>80
LED-RHB3-3P150-CTRI-WH-6'	120-277V	60/100/150w	130lm/w	35/40/35k	>80
LED-RHB3-3P240-CTRI-BL-6'	120-277V	180/210/240w	130lm/w	35/40/35k	>80
LED-RHB3-3P240-CTRI-WH-6'	120-277V	180/210/240w	130lm/w	35/40/35k	>80

REFLECTORS

Accessory Model	Description
RHB3-100/150-ALM-RF-90	90° Aluminum reflector for 100 & 150W
RHB3-240-ALM-RF-90	90° Aluminum reflector for 240W
RHB3-100/150-ACR-RF	90° Acrylic reflector for 100 & 150W
RHB3-240-ACR-RF	90° Acrylic reflector for 240W

REFLECTOR BOTTOM COVERS

Accessory Model	Description
RHB3-UNV-ACR-BC	Acrylic Bottom Cover 90°

WIRE GUARDS

Accessory Model	Description
RHB3-100/150-WG	Wire guard for 100 & 150W
RHB3-240-WG	Wire guard for 240W

MOUNTING KITS

Accessory Model	Description
RHB-PDM-HK	Pendant Mount Hook 1" Pipe
RHB-100/150-SM	100/150w Surface Mount
RHB-240-SM	240w Surface Mount

EMERGENCY BACKUP

Accessory Model	Description
LED-EMB-30W-HV-UFO	30W Pendant Emergency Backup
UFO-TEST-CTR	Test Button Controller

REMOTE CONTROL

Accessory Model	Description
HB03R	Remote for HB-Line Series

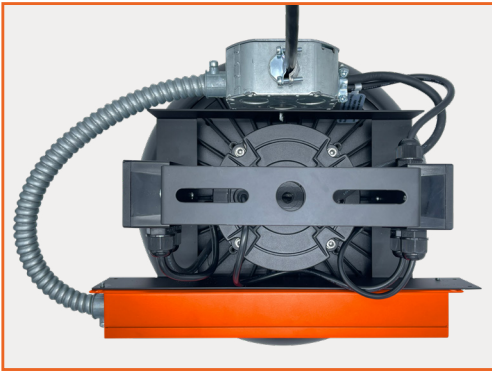
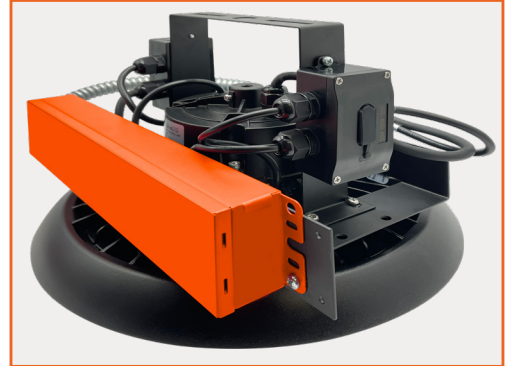
SENSOR

Accessory Model	Description
HB01DMS-A	A Default Setting • Brightness: 100% Hold Time: 1Min. • Stand-By Dimming Level: 20% • Stand-By Time: 1 Min. Sensitivity: 100% • Daylight: Disable

RHB3 UFO High Bays

3-CCT + 3-Power Selectable

SURFACE EMERGENCY BACK-UP (SEMB)



EMERGENCY BACK UP (EMB)

