

# RHB3 UFO High Bays

## 3-CCT + 3-Power Selectable



WATT	LUMENS
60	8,400
100	14,000
150	21,000
180	25,200
210	29,400
240	33,600

### Detail Specifications:

- Finish: Black or White
- IP Rating: IP67 Wet Location
- Beam Angle: 110°
- Chip: SMD 2835, R9 >50, CRI >80
- 3 Step MacAdam Ellipses
- Operating Temperature: -40° - 113° F
- - With Sensor: -22° - 113° F
- Lens: Clear Acrylic
- Average life (L70) of 70,000 hours

### Applications:

- Warehouse/Distribution Facility
- Utility & Storage
- Garage Structures
- Commercial and Industrial

### Product Information:

- Sturdy die-cast aluminum housing finished with corrosion free powder coat
- Replace existing fixtures or use in new construction
- Instant-On to full brightness
- Select-n-Switch Technology: 3-CCT + 3-Power Selectable
- Twist-C Control: Control ready receptacle built into each fixture

### Driver Options:

- UNV: 120-277V 0-10V Dimmable
- HV: 277-480V 0-10V Dimmable
- THD: <20% (+/-5% tolerance), PF >0.9, 50/60Hz
- Flicker Free

### Mounting & Installations:

- 6' whip included
- Optional pendant mount for 1" pipe available
- Optional surface mount kits available

### Certifications:

- UL Listed for USA and CA
- DLC Listed
- ROHS Compliant
- Approved for CA T24
- 5 Year Limited Warranty
- FCC CFR 47, GCC Part 15, Subpart B:2017

Series	Finish	Whip	Voltage 1	EMB	Surge Protector
<b>LED-RHB3-3P150W-CTRI</b>	<b>BL</b> Black	<b>6</b> 6' Whip (Incl.)	<b>(Blank)</b> 120-277V	<b>(Blank)</b> No Emergency Backup	<b>(Blank)</b> 6KV Built In <b>20KV</b> Surge Protector
60/100/150W 35/40/50K 120-277V	<b>WH</b> White	<b>CS</b> Extend to Custom Length	<b>HV 1</b> 347-480V	<b>EMB</b> 90 Minute Emergency Backup	
<b>LED-RHB3-3P240W-CTRI</b>				<b>SEMB</b> Surface Mount 90 min Emergency Backup	
180/210/240W 35/40/50K 120-277V					

1. HV requires assembly.

### Optional Accessories (Order Separately)

Sensors	Remote for Sensors	Reflector	Reflector Bottom Cover	Wire Guards	Mounting Kits 1	Emergency 2 Backup
<b>HB01DMS-A</b> Bi-Level Motion + Daylight Sensor	<b>HB03R</b> Remote	<b>RHB3-100/150-ALM-RF-90</b> Aluminum Reflector for 100 & 150W	<b>RHB3-UNV-ACR-BC</b> Acrylic Lens	<b>RHB3-100/150-WG</b> Wire Guard for 100 & 150W	<b>RHB-100/150-SM</b> Surface Mount Kit for 100 & 150W	<b>LED-EMB-30W-HV-UFO</b> Emergency Backup
		<b>RHB3-240-ALM-RF-90</b> Aluminum Reflector for 240W		<b>RHB3-240-WG</b> Wire Guard for 240W	<b>RHB-240-SM</b> Surface Mount Kit for 240W	<b>UFO-TEST-CTR</b> Test Button Controller
		<b>RHB3-100/150-ACR-RF</b> 90° Acrylic Reflector for 100 & 150W			<b>RHB-PDM-HK</b> 1" Pip Pendant Mount	
		<b>RHB3-240-ACR-RF</b> 90° Acrylic Reflector for 240W				

1. Reflectors and wire guards can't be mixed together. i.e. if fixture uses a reflector, it won't work with a wire guard.  
 2. Custom emergency backup option available in surface mount applications. Contact us for more information.

# RHB3 UFO High Bays

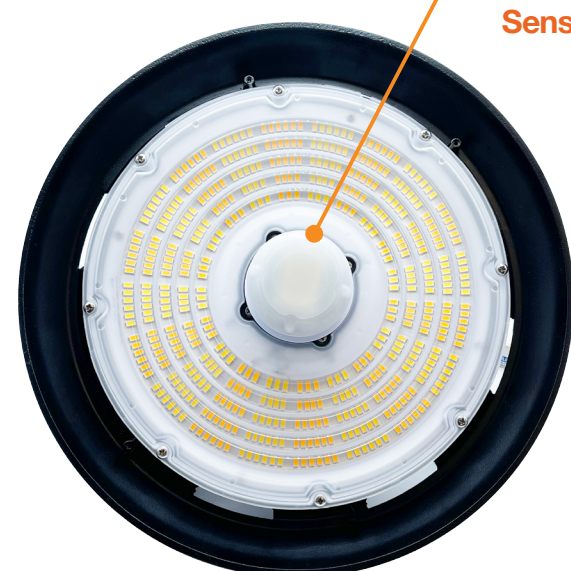
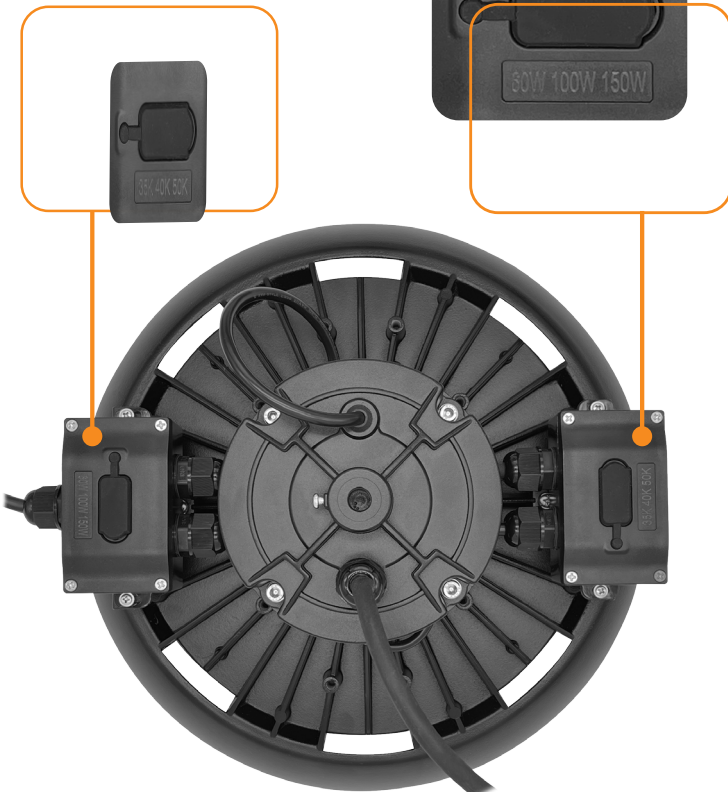
3-CCT + 3-Power Selectable

## FEATURES



## 3-Power Selectable

## 3-CCT Selectable

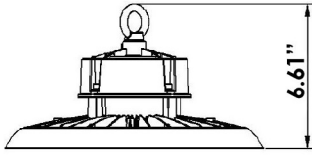


# RHB3 UFO High Bays

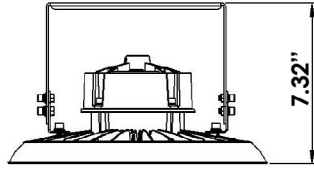
## 3-CCT + 3-Power Selectable

### DIMENSIONS

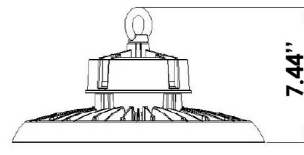
**Pendant Mount**



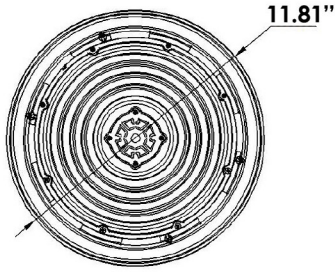
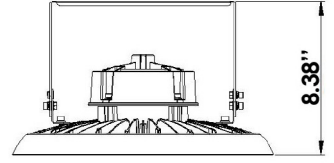
**Surface Mount**



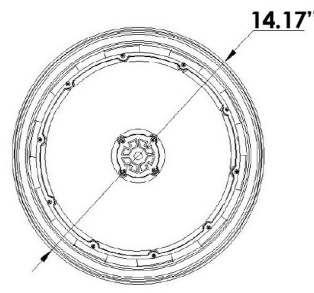
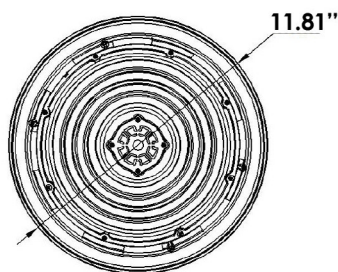
**Pendant Mount**



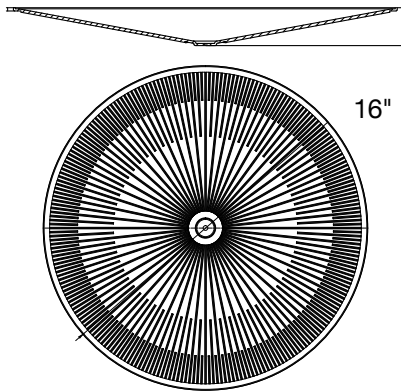
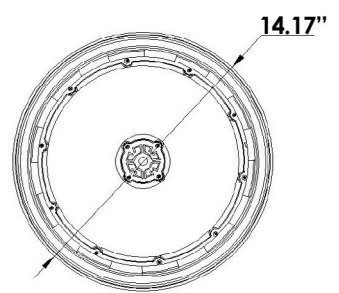
**Surface Mount**



**3P150W**



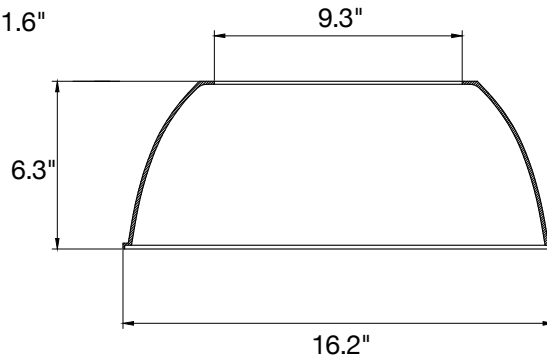
**3P240W**



**Acrylic Bottom Cover (90°)**

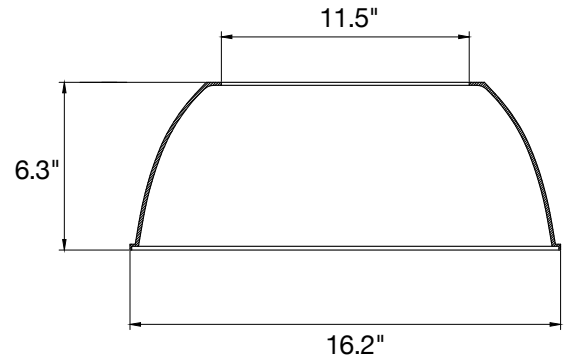
RHB3-UNV-ACR-BC

Only Compatible with ACR Reflectors



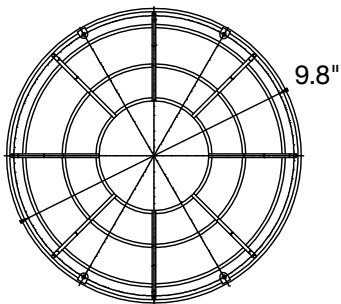
**Acrylic Reflector (90°)**

RHB3-100/150-ACR-RF



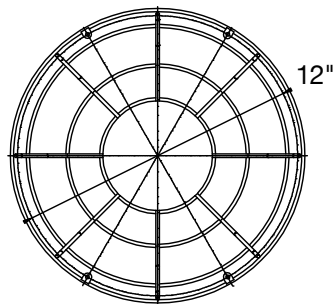
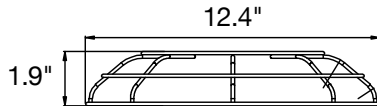
**Acrylic Reflector (90°)**

RHB3-240-ACR-RF



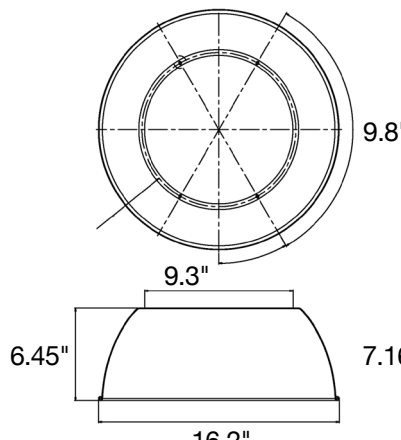
**Wire Guard**

RHB3-100/150-WG



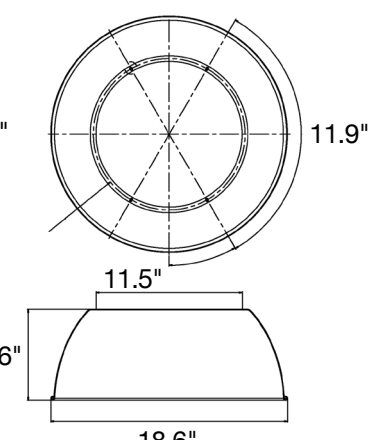
**Wire Guard**

RHB3-240-WG



**Aluminum Reflector**

RHB3-100/150-ALM-RF-90



**Aluminum Reflector**

RHB3-240-ALM-RF-90

# RHB3 UFO High Bays

## 3-CCT + 3-Power Selectable



RHB30100/150-ALM-RF-90  
RHB3-240-ALM-RF-90



RHB3-100/150-ACR-RF  
RHB3-1240-ACR-RF



RHB3-UNV-ACR-BC



Acrylic Reflector  
Bottom Cover & Sensor



RHB3-100/150-WG  
RHB3-240-WG



RHB-PDM-HK



RHB-100/150-SM  
RHB-240-SM



LED-EMB-30W-HV-UFO



UFO-TEST-CTR



HB03R



HB01DMS-A

Model	Voltage	Watts	Lumens	Color	CRI
LED-RHB3-3P150-CTRI-BL-6'	120-277V	60/100/150w	130lm/w	35/40/35k	>80
LED-RHB3-3P150-CTRI-WH-6'	120-277V	60/100/150w	130lm/w	35/40/35k	>80
LED-RHB3-3P240-CTRI-BL-6'	120-277V	180/210/240w	130lm/w	35/40/35k	>80
LED-RHB3-3P240-CTRI-WH-6'	120-277V	180/210/240w	130lm/w	35/40/35k	>80

### REFLECTORS

Accessory Model	Description
RHB3-100/150-ALM-RF-90	90° Aluminum reflector for 100 & 150W
RHB3-240-ALM-RF-90	90° Aluminum reflector for 240W
RHB3-100/150-ACR-RF	90° Acrylic reflector for 100 & 150W
RHB3-240-ACR-RF	90° Acrylic reflector for 240W

### REFLECTOR BOTTOM COVERS

Accessory Model	Description
RHB3-UNV-ACR-BC	Acrylic Bottom Cover 90°

### WIRE GUARDS

Accessory Model	Description
RHB3-100/150-WG	Wire guard for 100 & 150W
RHB3-240-WG	Wire guard for 240W

### MOUNTING KITS

Accessory Model	Description
RHB-PDM-HK	Pendant Mount Hook 1" Pipe
RHB-100/150-SM	100/150w Surface Mount
RHB-240-SM	240w Surface Mount

### EMERGENCY BACKUP

Accessory Model	Description
LED-EMB-30W-HV-UFO	30W Pendant Emergency Backup
UFO-TEST-CTR	Test Button Controller

### REMOTE CONTROL

Accessory Model	Description
HB03R	Remote for HB-Line Series

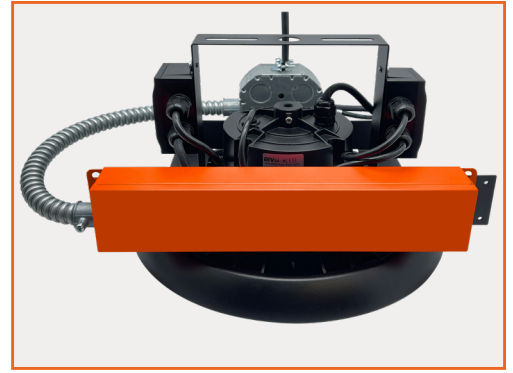
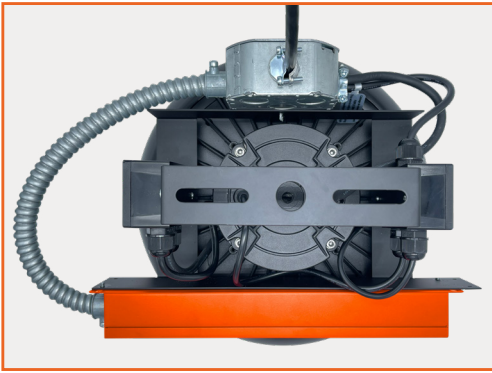
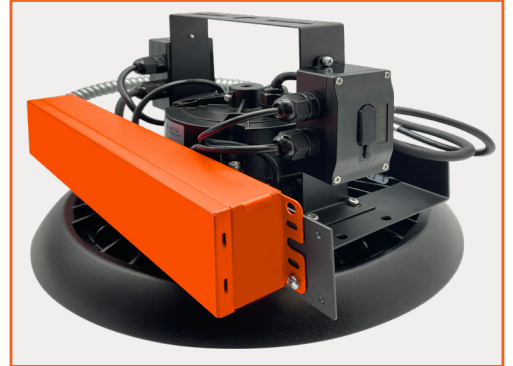
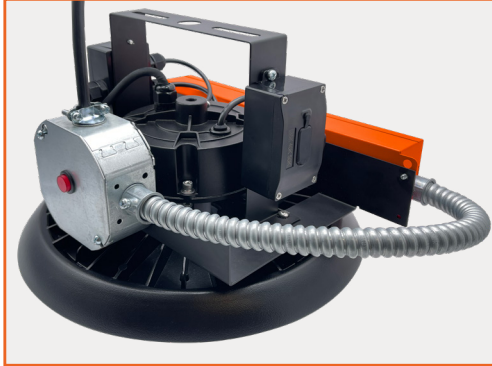
### SENSOR

Accessory Model	Description
HB01DMS-A	A Default Setting • Brightness: 100% Hold Time: 1Min. • Stand-By Dimming Level: 20% • Stand-By Time: 1 Min. Sensitivity: 100% • Daylight: Disable

# RHB3 UFO High Bays

3-CCT + 3-Power Selectable

## SURFACE EMERGENCY BACK-UP (SEMB)



## EMERGENCY BACK UP (EMB)

