



S-Line: Dimmable Power Pack

Dim any 0-10V Fixture (Remote or Smart App)



The EnvisionLED Bluetooth dimmable power pack provides automated individual and group control of lighting fixtures using Bluetooth. The S-PP-BT is ideal for use with indoor lighting fixtures.

Features:

- Damp location rated
- Operating Temperature: -40° - 158° F
- Max Load: 5A, 600W Max LED Driver
- Control Output: 2-Channel 0-10V Output
- RF: 2.4GHz +/- 75MHz
- Voltage: 120-277V, 50/60Hz
- Wireless Technology: Bluetooth Enabled 4.2MESH IEEE 802.15.1
- Programming: EnVision SMART App (Android and IOS Apple)
- Security: UL1376
- Encryption: AES 128-bit
- MESH Range:
 - 100ft node-to-node
 - 50ft node-to-device

Applications:

- Indoor lighting fixtures
- Retrofit onto existing fixtures

Product Information:

- Easy commissioning with the EnVision SMART App
- Compatible with S-LINE-DIM-BT remote control and wall dimmer
- Time clock scheduling for individual lights, groupings, and scenes
- Multi-level dimming: Manual or automatic on/off
- Only compatible with 0-10V dimmable fixtures

Mounting & Installation:

- 1/2" Knockout
- Must mount outside of the fixture junction box

Certifications:

- UL Listed for USA and CA
- DLC NLC Listed
- CA Title 24 Approved
- FCC CFR 47, GCC Part 15, Subpart B:2017
- UL1376

Series

S-PP-BT
 Bluetooth Power Pack

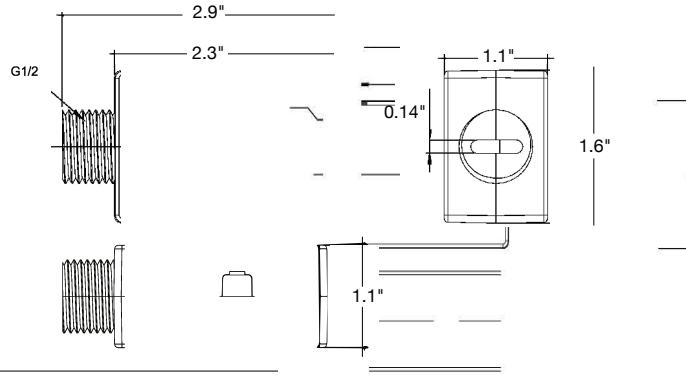
Optional Accessories
 (Order Separately)
 Remote

S-LINE-DIM-BT
 Works as a remote control or wall dimmer

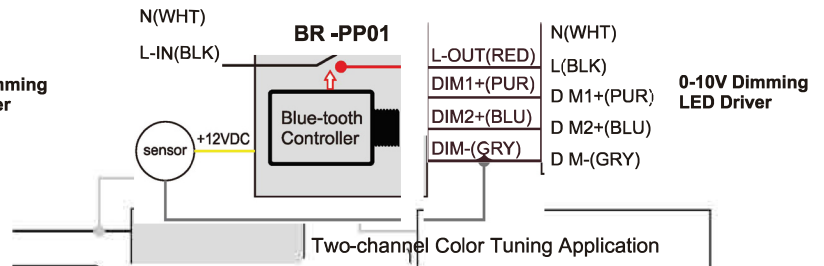
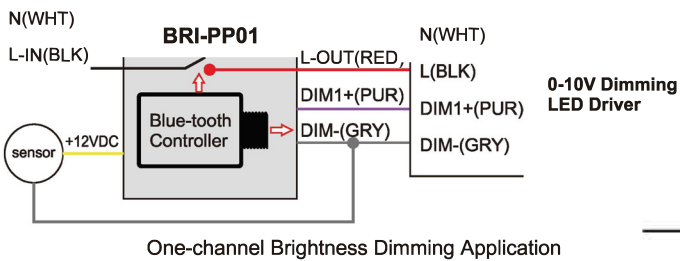
S-Line: Dimmable Power Pack

Dim any 0-10V Fixture (Remote or Smart App)

DIMENSIONS

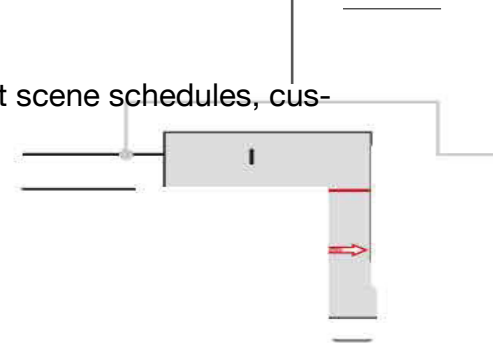


WIRING DIAGRAMS



APPLICATION

Envision LED mobile APP makes it easy to pair devices, create groups, set scene schedules, customize dimming levels and adjust high trim based on application needs.



ACCESSORIES



S-LINE-DIM-BT

| Model | Item Description | Voltage | Watts |
|---------|---|---------|-------|
| S-PP-BT | S-Line: Dimmable power pack. Dim any 0-10V fixture (Remote or ENVISION SMART APP) | 12V | <1w |

DIMMER

| Model | Item Description | Voltage | Watts |
|---------------|--|---------|-------|
| S-LINE-DIM-BT | Dimmer for S-LINE Series Bluetooth Sensors | | <1w |