

# Wall Mounted x SILVAIR Enabled



S-WS-120V-USB-SL allows for automatic lighting control for a variety of indoor applications. It utilizes a Bluetooth® Low Energy (BLE) mesh network. Commissioning can be set through the SILVAIR mobile app or desktop site.

**Detail Specifications:**

- Input Voltage: 120V
- Operating Temperature: -4-131F°
- Finish: White
- Max Bluetooth Range: 100' line of sight
  - Highly dependent on surrounding environment
  - Bluetooth test recommended for range accuracy
- IP Rating: IP20 Dry Location

**Applications:**

- Commercial & Industrial
- 0-10V Dimmable Fixtures

**Product Information:**

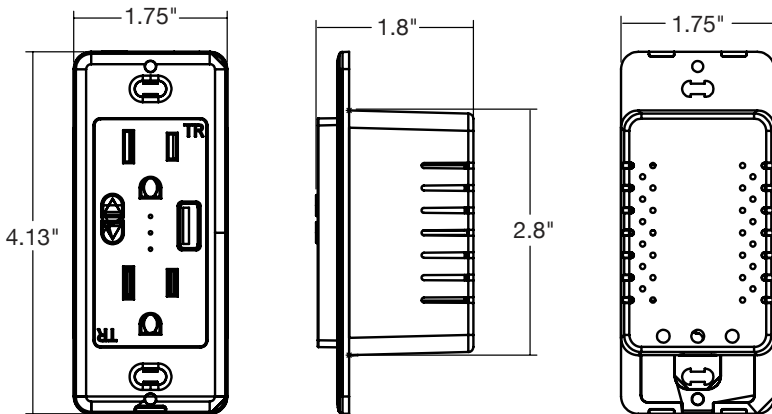
- Two sockets and one usb port
  - One is always on
  - One is controlled by SILVAIR
- Magnetic Reset: touch the top part of the sensor for 5 seconds
- Include parameter profiles, dimming control, real-time sensor feedback
  - View our SILVAIR guide for full features

**Mounting & Installation:**

- Single-gang wall box
- 30ft @ 4ft mounting height
- Connect up to 3,000 devices on a zone

**Certifications:**

- UL Listed for USA and CA
- DLC NLC Listed ID NSLVR23CNTRL
- Bluetooth
- Approved for CA T24
- 5 Year Limited Warranty
- FCC CFR 47, GCC Part 15, Subpart B:2017



Item  
**S-WS-120V-USB-SL**