

Stadium lamp installation instructions

Rev:A0

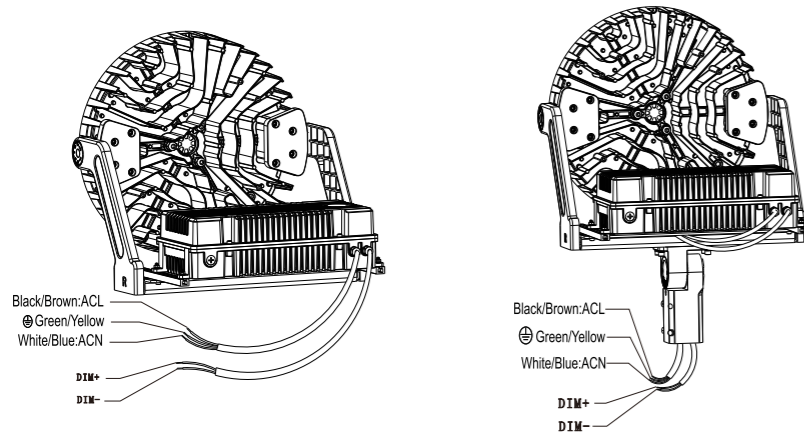
Applications:

For stadiums and large squares lighting, can also be used for shipyards, airports, docks and other high pole installation application; can be used for long-distance small-angle projection and large architectural outline lighting.

Cautions:

1. The product should be installed, inspected and maintained by a qualified electrician in accordance with local national electrical safety regulations;
2. Please turn off the power before checking, installing or removing;
3. Ensure that the voltage used is the voltage within the product identification range;
4. Use wires that comply with UL (or other local standards) for wiring. The voltage AC100-277V should be wired with not less than 14 AWG, and the voltage AC277-480V should be wire with not less than 16AWG;
5. Do not install in a hazardous environment. The ambient temperature must not exceed the rated operating temperature of the product;
6. Do not install the product when it rains. Avoid the danger of lightning strikes and avoid accidents;
7. Please use with listed waterproof strain relief bushing when connecting the power supply cord to outlet box.
8. Can not use the electric generator to test the LED lamp.
9. External 0-10V only passive dimmers are supported.

Wiring diagram:



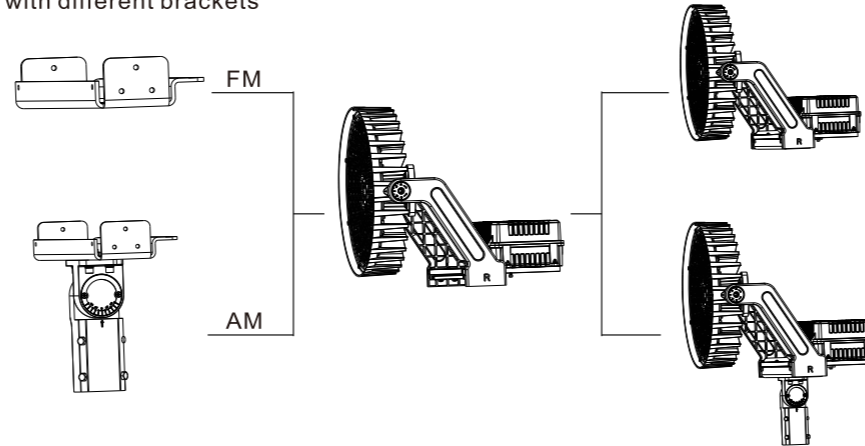
Notice: Please use the dimming+, dimming- (DC10V) marking leads to connect to outside dimmer.

Class 1 Wiring Only.

Please assure a cumulative leakage current of less than 3.5mA on the control circuit. The AUX control wire with shrinkable tubing shall not be damaged (no connection).

Optional brackets and installation instructions

There are 2 optional brackets for this fixture, the following is sport light fixtures with different brackets



Power box installation instructions:

Use a tool to loosen the four M6 nuts that fix the power supply box, slide the power supply box along the guide rail, and move it to a suitable position, tighten the four M6 nuts to fix the power supply box. (Figure 1)

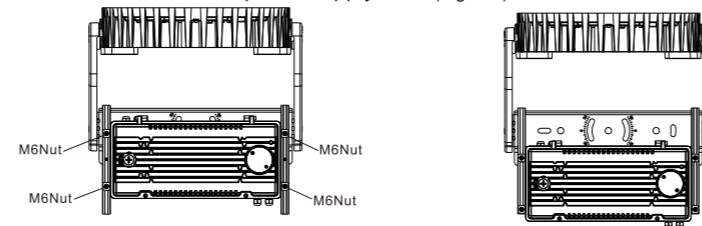


Figure 1

Installation of LED Lamps:

Installation Method One (Pole Mounting):

1. Mark the hole distance S1 or S2 shown in the product to be installed(Figure 2)
2. Drill two holes of distance S1 or S2 on the mounting bar (Figure 3)

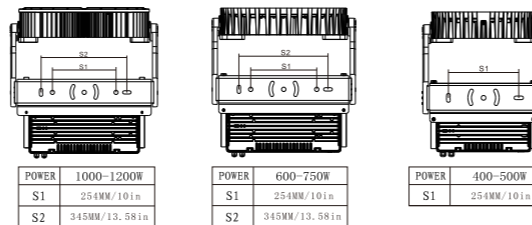


Figure 2

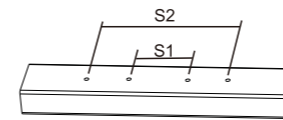


Figure 3

3. Install the luminaire on the crossbar and secure it with nuts, spring washers and flat washers (Figure 4);
4. Use hex wrench to loosen the adjustment screw used to adjust the angle (Figure 5);

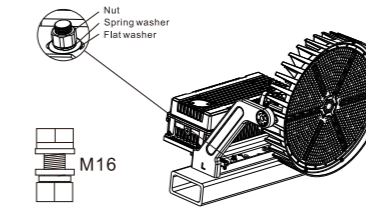


Figure 4

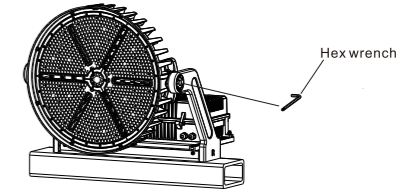


Figure 5

5. According to the need, adjust the projection angle, angle adjustment range (Figure 6);
6. Complete the projection angle adjustment and lock the adjustment screw;
7. According to the previous wiring diagram and select one desired method for wiring.

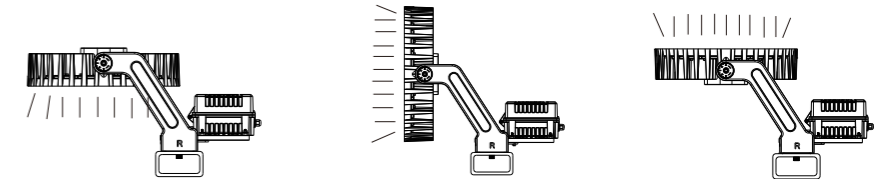


Figure 6

Installation method II (disc holder installation):

1. According to the need to adjust the lighting direction, can be 360 degrees rotation adjustment, tightened with screws when the adjustment is completed (Figure 7);
2. Use hex wrench to loosen the adjusting screw for adjusting the angle (Figure 8);

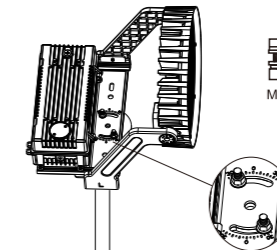


Figure 7

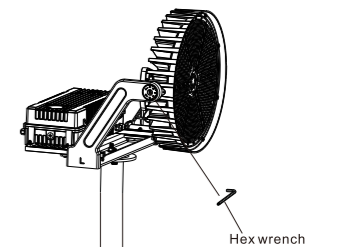


Figure 8

3. According to the need, carry out the projection angle adjustment, angle adjustment range (Figure 9);
4. Complete the projection angle adjustment and lock the adjustment screw;

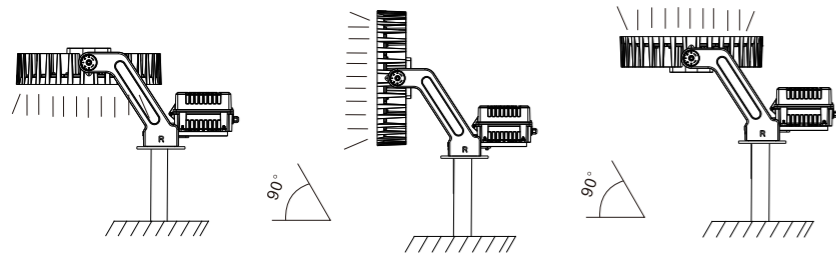


Figure 9

ADJUSTABLE FITTER MOUNTING(AM)

- 1: Loosen the four bolts on AM bracker,connect the wires correctly,and pull the wires into the poles. (Figure 10)
- 2: Place the bracket into the pole and lock the four bolts. (Figure 11)

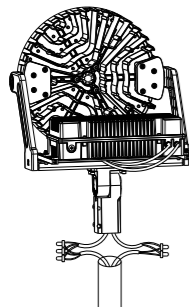


Figure 10

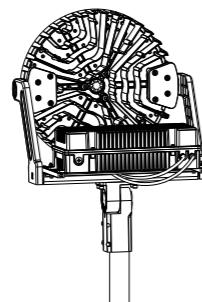


Figure 11

3. Use an open-end wrench and hex wrench to loosen the adjusting screw for adjusting the angle (Figure 12)
- Notice: Adjustable angle is 0-90°.

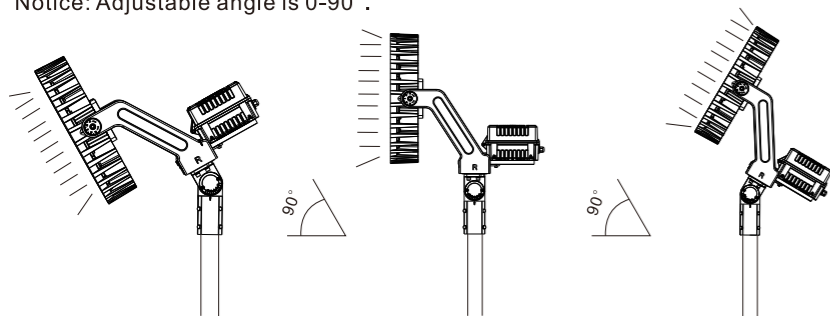


Figure 12

Instructions for light shield

When the light shield function is required, fix the light barrier to the luminaire with a screwdriver as required. (Figure 13)

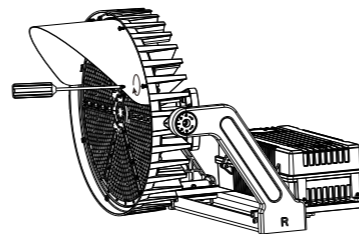


Figure 13

Instructions for Photocell

When the photocell function is required, photocell should be installed on the back of lamp; When it's not required, shorting cap should be installed on the back of lamp. (Figure 14)

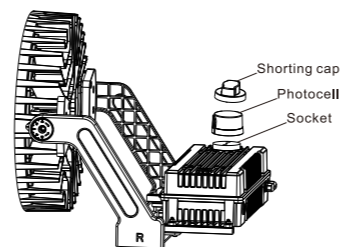


Figure 14

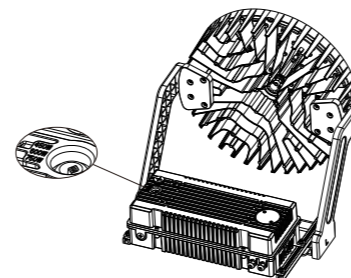


Figure 15

The explanation for wattage selection :

The light fixture with watt adjustable function, tear off the plug, switch it to the tap position you need. (Figure 15)

500W model: 300W, 400W, 500W, Factory setting: "500W"

750W model: 450W, 600W, 750W, Factory setting: "750W"

1200W model: 800W, 1000W, 1200W, Factory setting: "1200W"

Note: All adjustable power wattages can be customized by customers

MIN 90 °C SUPPLY CONDUCTORS

THIS PRODUCT MUST BE INSTALLED IN ACCORDANCE WITH THE APPLICABLE INSTALLATION CODE BY A PERSON FAMILIAR WITH THE CONSTRUCTION AND OPERATION OF THE PRODUCT AND THE HAZARDS INVOLVED.
ALL COMPONENTS IN THE LUMINAIRE SHALL NOT BE REPLACED OR SERVICED.
LES FILS D'ALIMENTATION 90 °C
CE PRODUIT DOIT TRE INSTALL SELON LE CODE D'INSTALLATION PERTINENT, PAR UNE PERSONNE QUI CONNA T BIEN LE PRODUIT ET SON FONCTIONNEMENT AINSI QUE LES RISQUES INH RENTS.