



MAGNA-Line: Sports Light Fixtures

3-Power Selectable & Remote Capable



600W



1200W

| WATT | LUMENS |
|------|---------|
| 300 | 39,000 |
| 450 | 58,500 |
| 600 | 78,000 |
| 800 | 124,000 |
| 1000 | 130,000 |
| 1200 | 156,000 |

Detail Specifications

- Finish: Black (made to order colors available)
- IP Rating: Wet Location
- Beam Angle: 20° NEMA 3 standard (Wider custom optics available)
- CCT: 5000K
- Chip: SMD 3030, R9 >50, CRI >80
- Operating Temperature: -40° - 114° F
- Lens: PC Lens: Clear acrylic with optics
- EPA:
 - 3P600: 3.0FT²
 - 3P1200: 3.4FT²
- Average life (L70) of 70,000 hours

Applications:

- Sports Arenas and Recreational Fields
- Yard, Barn, Agriculture lighting
- High mast
- Outdoor Lighting

Product Information:

- Sturdy die-cast aluminum housing finished with corrosion free powder coat
- 5 beam angle options available
- Shield is included with every fixture
- Select-n-Switch Technology : 3-Power Selectable
- Instant-On to full brightness
- 3' power cord standard on all fixtures

Driver Options:

- UNV: 120-277V 0-10V Dimmable
- HV: 220-480V 0-10V Dimmable
- Built in 10Kv Surge Protector
- DMX512 dimming standard for theatrical effects
- Compatible with Synapse Wireless & AVI-ON controls
- THD: <20% (+/-5% tolerance), PF >0.9, 50/60Hz

Mounting & Installation:

- Standard yoke mount included
- Optional slip fitter available
- Head tilts up and down 90°
- Remote capable driver up to 40 feet away from the fixture
- See installation guide for more details

Certifications:

- UL Listed for USA and CA
- DLC Premium Listed
- ROHS Compliant
- IESNA LM-79 & LM-80 tests available
- Approved for CA T24
- ANSI 3G Vibration Rated
- FCC CFR 47, GCC Part 15, Subpart B:2017
- 5 Year Limited Warranty

| Series | Voltage ¹ | Finish ² | Optic | Photocell | Optional Accessories (Order Separately) | |
|---|------------------------|---------------------------------------|--|-------------------------------------|---|---------------------------------------|
| | | | | | Mounts | Laser Aiming Device |
| LED-SPL-3P600W-50K-YK 300/450/600W • 120-277V Yoke Mount | UNV 120-277V | BLK (Standard) | (Blank) 20° | (Blank) No Photocell | SPL-SF2 Field Installable | SPL-LSR Laser Aiming Device |
| LED-SPL-3P1200W-50K-YK 800/1,000/1,2005W • 120-277V Yoke Mount | HV 220-480V | CS² Custom Color | 30D 30° 60D 60° | PC Dusk to Dawn Photocell | Slip Fitter | Device |

1. Standard quick ship is UNV. HV is made to order locally.
 2. Standard quick ship is black. Other colors are custom finishes available at the factory level.

MAGNA-Line: Sports Light Fixtures

3-Power Selectable & Remote Capable

FEATURES



Shield Included (Separately)

Optics on each chip for the perfect beam angle

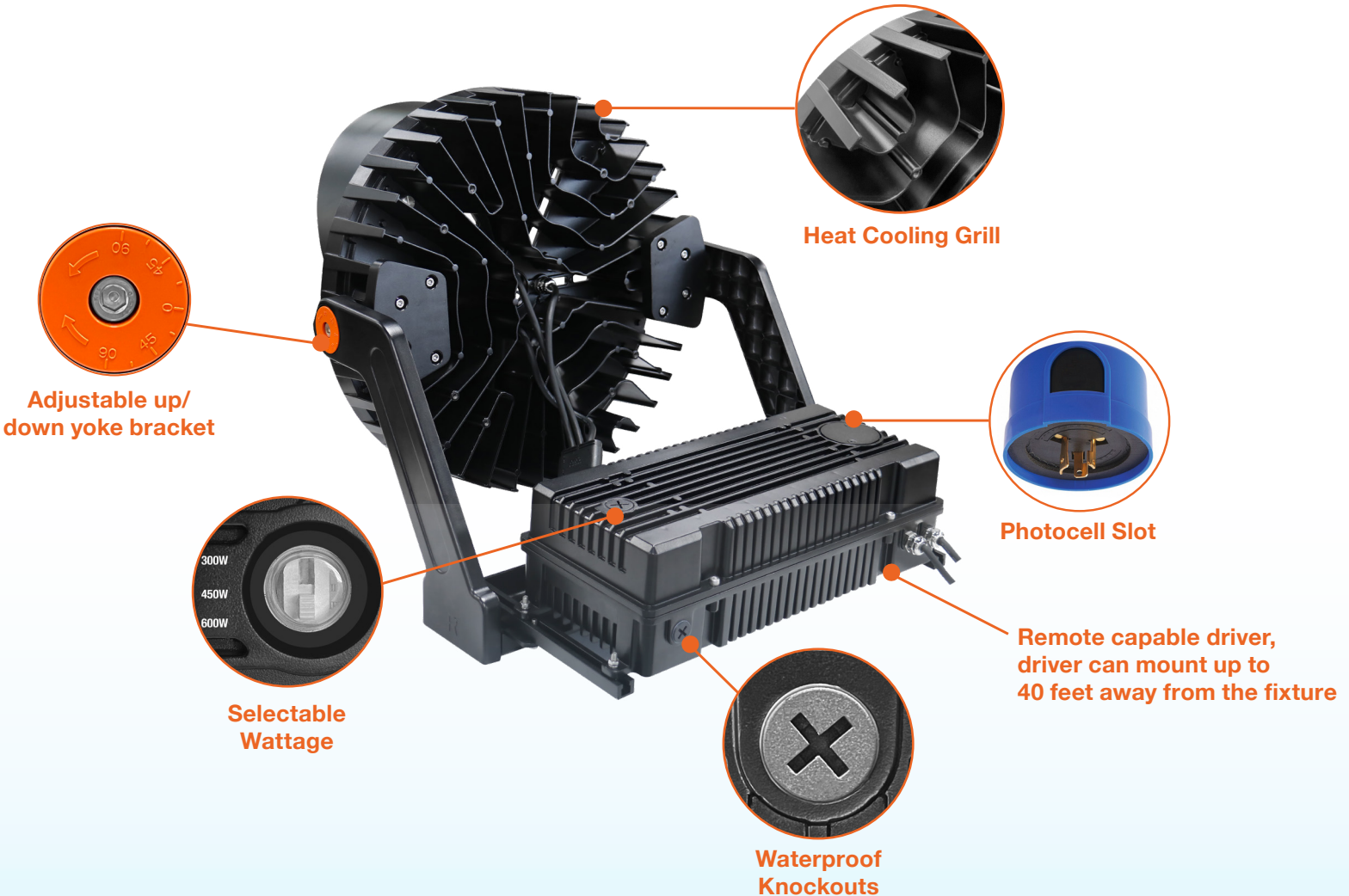


SPL-LSR

Laser beam pointer available



Front



Heat Cooling Grill

Adjustable up/
down yoke bracket

Photocell Slot

Selectable
Wattage

Remote capable driver,
driver can mount up to
40 feet away from the fixture

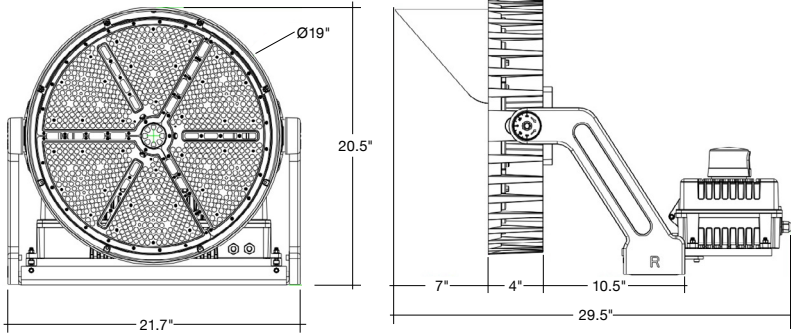
Waterproof
Knockouts

MAGNA-Line: Sports Light Fixtures

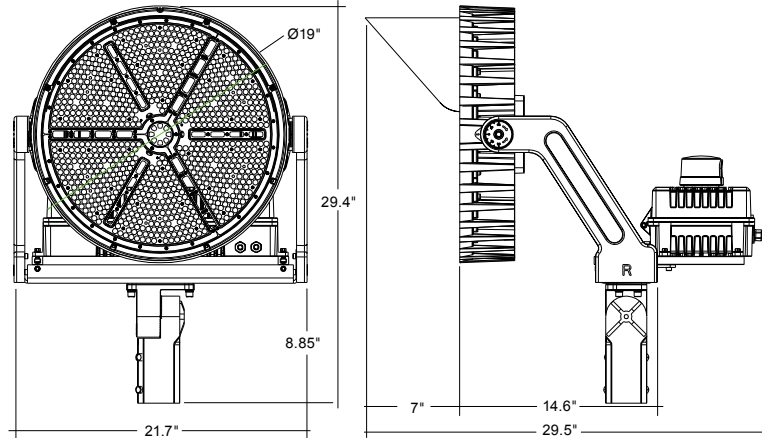
3-Power Selectable & Remote Capable

DIMENSIONS

600W

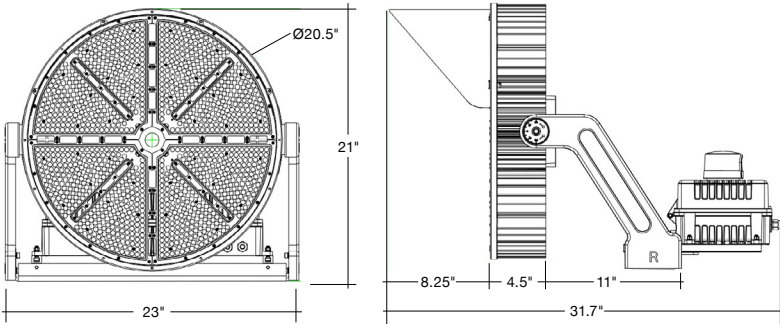


Yoke Mount

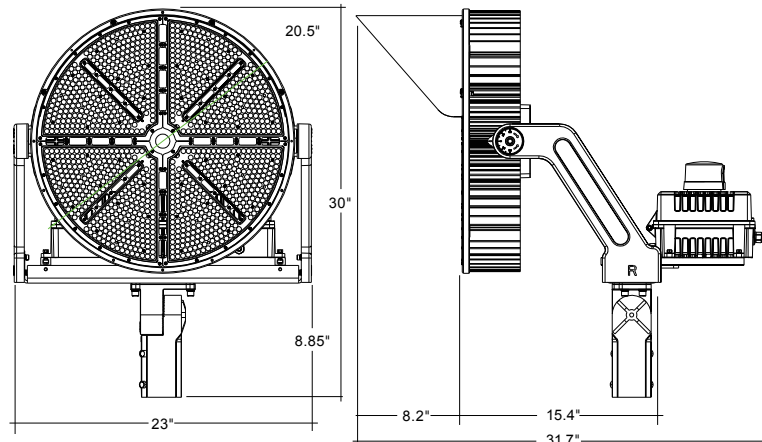


Slip Fitter

1200W



Yoke Mount

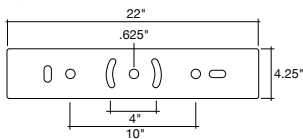


Slip Fitter

Slip Fitter



SPL-SF



SPL-LSR

HIGHBAY FIXTURE

| Model | Voltage | Watts | Lumens | Color | CRI |
|--------------------------------|----------|----------------|---------|-------|-----|
| LED-SPL-3P600W-50K-YK-UNV-BLK | 120-277V | 300/450/600w | 130lm/w | 5000k | >80 |
| LED-SPL-3P1200W-50K-YK-UNV-BLK | 120-277V | 800/1000/1200w | 130lm/w | 5000k | >80 |

ACCESSORIES

| Model | Description |
|---------|-------------------------------|
| SPL-SF | Field Installable Slip Fitter |
| SPL-LSR | Laser Aiming Device |

EPA RATING & GROSS WEIGHT

| Model | Weight | EPA Rating | Bug |
|-----------------|---------|--------------------|----------|
| LED-SPL-3P600W | 47 LBS. | 3.0FT ² | B5-UO-G5 |
| LED-SPL-3P1200W | 78 LBS. | 3.4FT ² | B5-UO-G5 |