

STD-480-277-465A-FLX

Step Down Transformer Fixtures Up To 350W



FC IP65

DESCRIPTION

INPUT VOLTAGE: 480Vac $\pm 10\%$ / 347Vac $\pm 10\%$ / 277Vac $\pm 10\%$

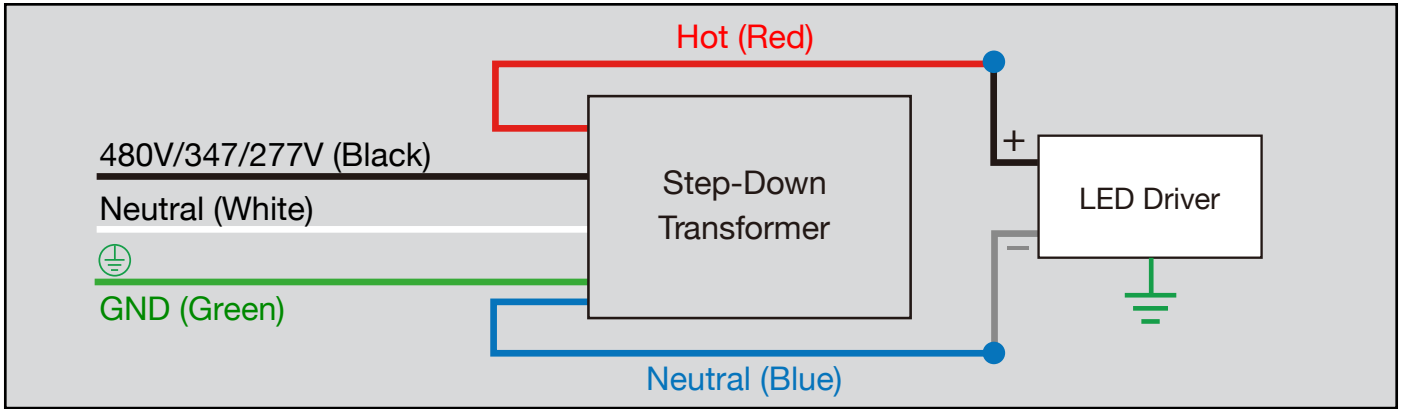
SAFETY STANDARD: UL 5085-3 listed, for feild installation

WARRANTY: 5 years warranty

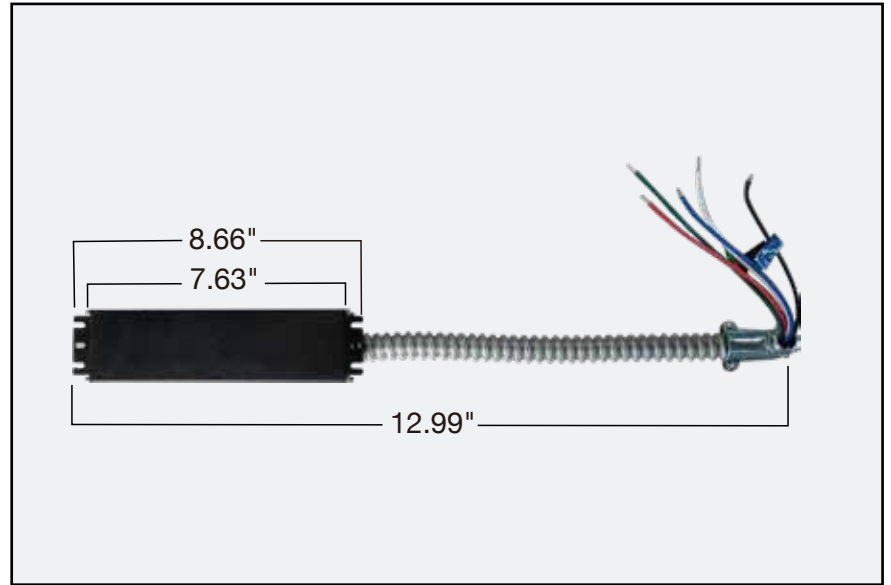
MODEL SELECTION

PRODUCT	PICTURE	OUTPUT WATTAGE	DESCRIPTION
STD-480-277-465A-FLX		375W MAX.	Input 480V@60HZ Output 208V@60HZ Max Load 465VA (375W) Input 347V@60HZ Output 150V@60HZ Max Load 320VA (270W) Input 277V@60HZ Output 120V@60HZ Max Load 258VA (215W)
		260W MAX.	Input 480V@60HZ Output 208V@60HZ Max Load 325VA (260W) Input 347V@60HZ Output 150V@60HZ Max Load 240VA (188W) Input 277V@60HZ Output 120V@60HZ Max Load 185VA (150W)
		160W MAX.	Input 480V@60HZ Output 208V@60HZ Max Load 200VA (160W) Input 347V@60HZ Output 150V@60HZ Max Load 140VA (118W) Input 277V@60HZ Output 120V@60HZ Max Load 115VA (90W)

WIRING DIAGRAM

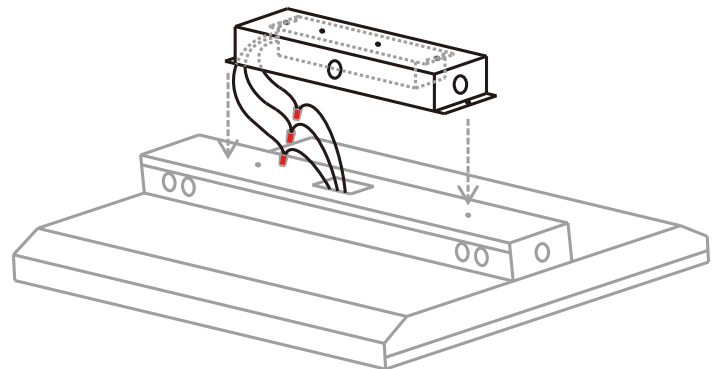


DIMENSIONS



TRANSFORMER COVER BOX

- Attach transformer to cover box
- Make wiring connections
- Attach transformer cover box assembly to luminaire driver enclosure



TRANSFORMER BRACKET FOR PANELS

- Attach transformer to bracket
- Attach transformer bracket to panel
- Make wiring connections

