

Stake Cover Accessory

Solid Brass – Architectural Models



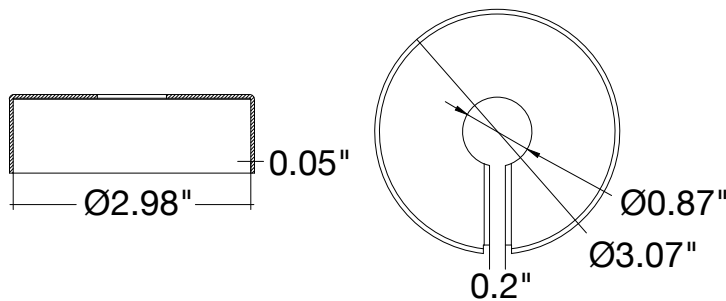
STKC-1/2-BR-ORB



STKC-1/2-BR-MBL

Detail Specifications:

- Used to provide an architectural finish on fixtures and to protect the stake from external forces
- Finish: Oil Rubbed Bronze or Matte Black
- Housing: Brass
- Lifetime corrosion free warranty



Oil Rubbed Bronze Models

STKC-1/2-BR-ORB

Oil Rubbed Bronze

STKC-1/2-BR-MBL

Matte Black

Specs and model numbers are subject to change with or without notice. Customization of product is available.