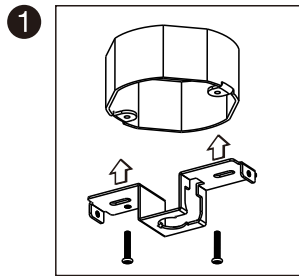


Installation Instructions

This assembly is an accessory for the installation of a ceiling lamp. It is suitable for the installation of lamps when installed on a flat or inclined plane. **WARNING:** Risk of fire supply conductors (power wires) connecting the fixture must be rated minimum 194°F if uncertain, consult an electrician. Risk of electric shock disconnect power at fuse or circuit breaker before installing or servicing. Risk of fire/electric shock. If not qualified, consult an electrician.

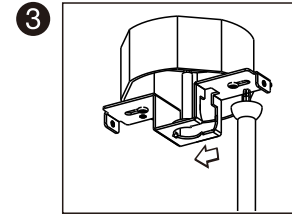
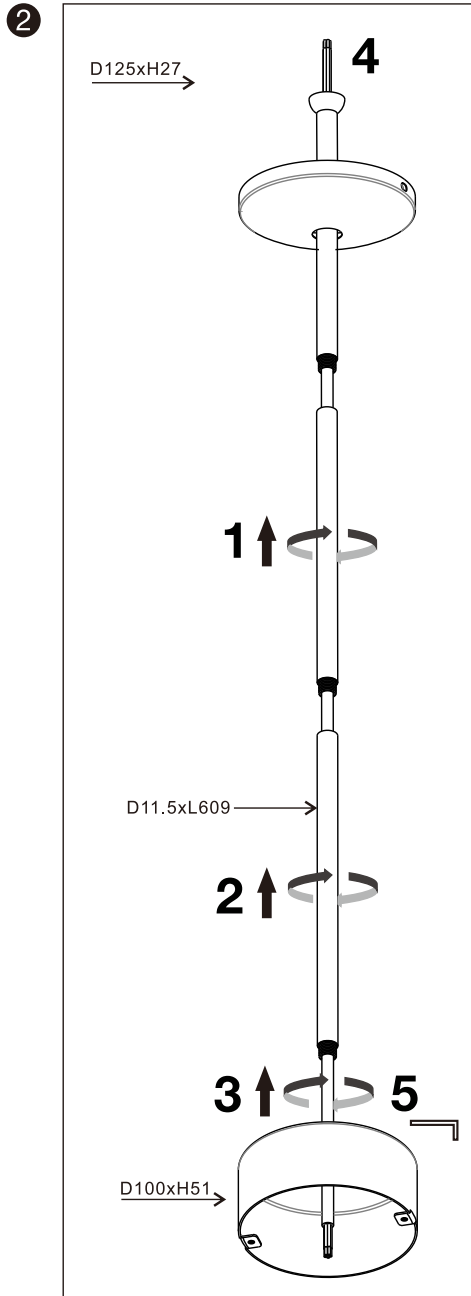


STEP 1

Prior to installation, please install two screws (furnished) pass through the T-shaped mounting plate into the J-box. Drive the screws completely to the end of the J-box.

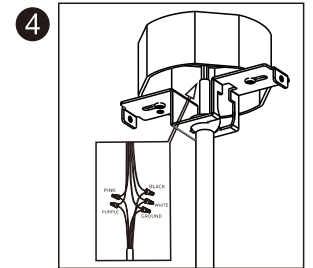
STEP 2

The length of the straight pipe is based on the needs of use, and the wire is inserted into the straight tube., then suction into top plate before installation. Turn the straight pipe to the right in turn to tighten. Then power cord is straightened. Screw must be tightened with the plate handle.



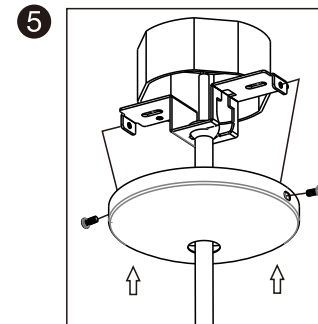
STEP 3

Hang the swinging iron pipe assembly into the bracket slot, align the hemisphere groove with the convex point of the round surface and lay it flat on the round hole.



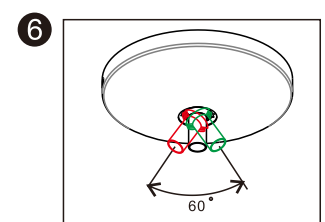
STEP 4

Connect supply wires to wires in fixture wiring box with proper size wire nuts or push wires into "push-in" connector. Connect the white to white, black to black and green or bare copper wire to bare copper wire.



STEP 5

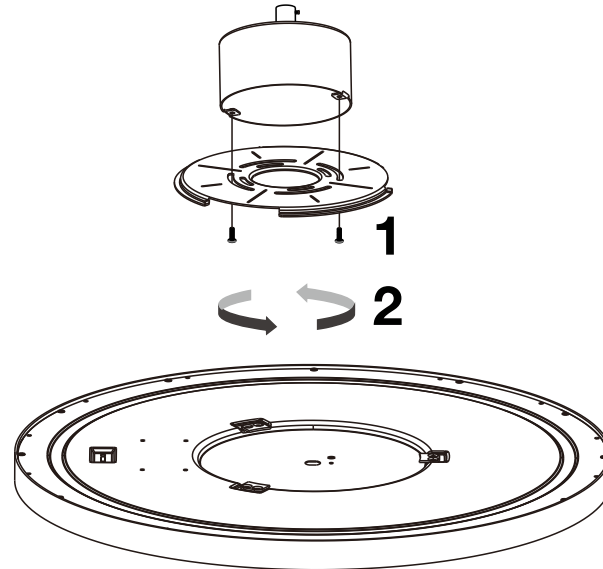
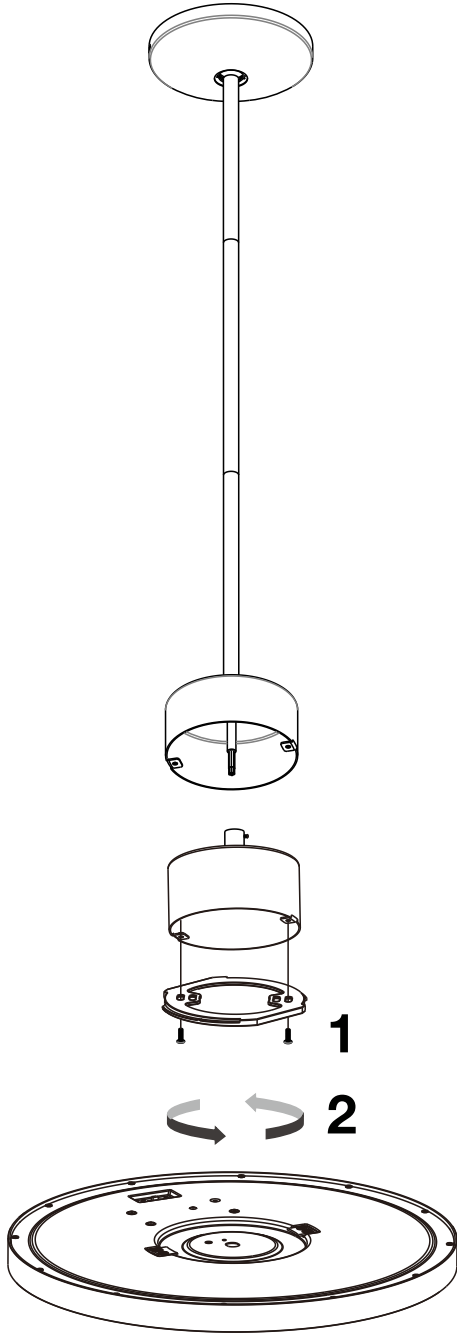
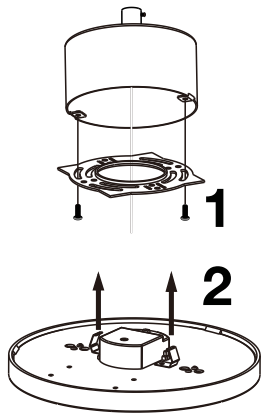
Put the top plate along the iron pipe to cover the support, align it with the lock holes on both sides, and place screws.



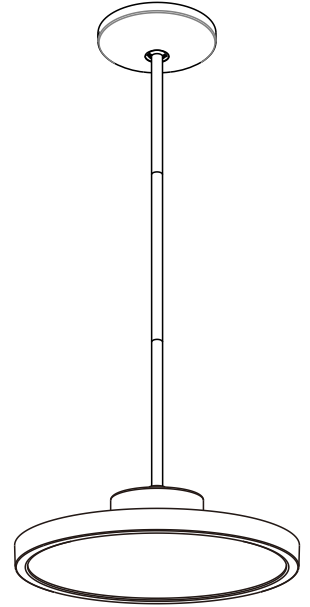
STEP 6

Finish the installation of the top piece, the movable straight pipe can be moved freely in the range of 60° degrees.

Lighting installation:
Install the light fixture
on the assembly tray.



Flat Mounted



Slope Mounted

