

# 2'/4'/6' Pendant Stem Mount

## Adjustable Length



30° ANGLE



### Detail Specifications:

- Finishes:
  - White or Black Standard
  - Custom options available
- Angle Adjustable Stem
- Housing: Die-cast

### Applications:

- General Recessed Lighting
- Residential & Multifamily
- Office and Meeting Rooms
- Education, Healthcare, Retail, Hospitality

### Product Information:

- Installs onto fixtures that are compatible with 40 J-box
- Compatible with EMB canopy and empty body canopy
- Ideal for remodel and new construction use
- Slim and sleek design
- Dimming function of the fixture will not be affected
- 6.5' cord included
  - White finish: white cord
  - Black finish: black cord
  - Custom finish: black cord
- Quantity of 3; 2' cord stem covers included in each box.
- Swivel base for slope ceiling applications

### Mounting & Installation:

- 30/40 Junction Box (including pancake j-box)
- Using the cord covers is highly recommended
- Field cuttable: cord can be cut to length
- Maximum mounting height not to exceed 6'

#### Series

**STM-JBX-6-WH**  
 White Finish  
**STM-JBX-6-BLK**  
 Black Finish

#### Compatible Fixtures (Order Separately)

#### Fixtures

**LED-SLDSKR**  
**LED-SLDSKSQ**  
**LED-TSM**  
**SLDSKR**

# 2' / 4' / 6' Pendant Stem Mount

Adjustable Length

## FEATURES



30° ANGLE

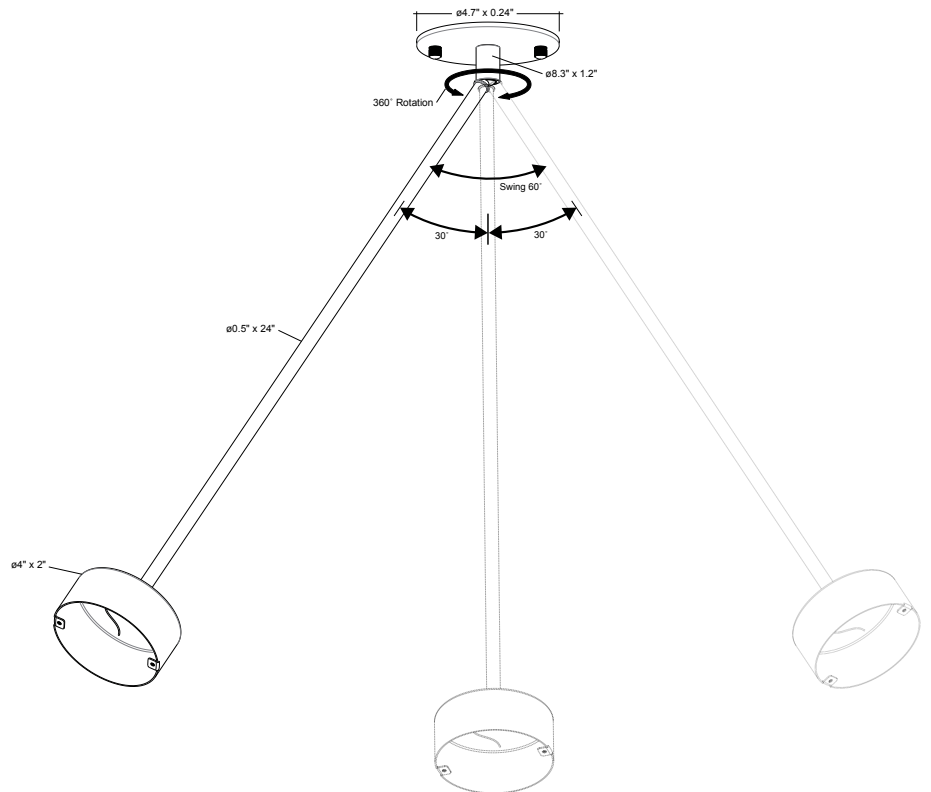
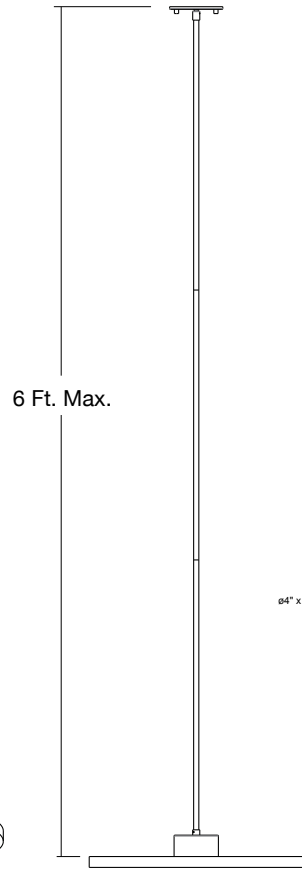
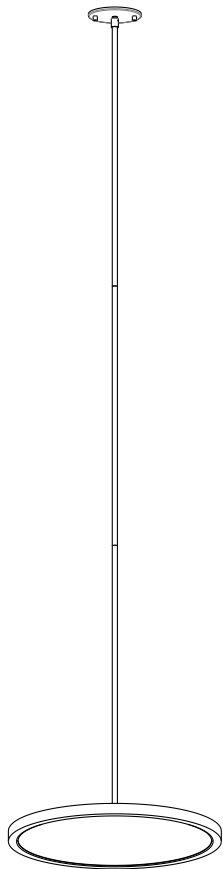


TOP



BOTTOM

## DIMENSIONS

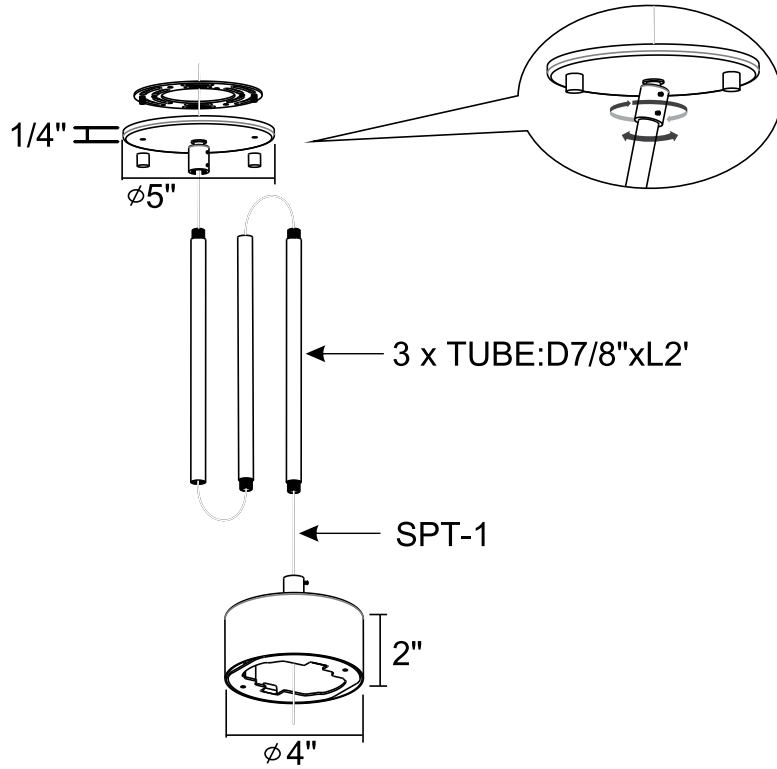


- 15" Round
- 12" Round
- 9" Round
- 7" Round

# 2'4'6' Pendant Stem Mount

Adjustable Length

## COMPONENTS & STRUCTURE



ADJUSTABLE DIRECTION  
AND ANGLE

## ASSEMBLY

