

Project: _____
 Part#: _____
 Type: _____

Area Barn Dusk to Dawn Flood Lights

3CCT Selectable w/ Photocell



Introducing EnVision LED's new Area Barn dusk to dawn flood lights, with three selectable color changing technology. With the flip of a switch on the back of this fixture, easily select between 3000K, 4000K, and 5000K color temps. Suitable for use in wet locations with an IP65 rating and airtight rated fixture, use these eco-friendly instant start and energy saving lights anywhere. Available in a silver or bronze finish with an aluminum housing which is light and soft.

Detail Specifications:

- IP65 Wet Location Rated
- CRI 80 SMD Lumiled LED Chips
- 100-277V Driver, 50/60Hz
- 10KV Surge Protector
- 150° Beam Angle/Type VS Distribution
- THD: 15%
- Operating Temperature: -4°F ~ +124°F
- Storing Temperature: -40°F ~ +185°F
- PF >0.9/Input: .85A/Output: 36-66V DC
- 0-10V Dimmable

Applications:

- Building Perimeters
- Outdoor Area Lighting
- Yard and Dock Areas
- Security Light

Certifications:

- cUL Listed
- DLC Premium: Outdoor Full-Cutoff Area Luminaire
- FCC CFR 47, FCC Part 15, Subpart B: 2017
- 5 Year EnVision LED Limited Warranty

Product Information:

- 3CCT Selectable: 30/40/50K
- Dusk to Dawn photocell included
- Di-cast aluminum housing with pc lens
- No UV emission, no flicker, instant start, no humming
- Average life L70 @ 70,000 hours lumen maintenance



1	Product	2	Wattage	3	Color	4	Finish	5	Accessories	6	Warranty
LED-BDD	Area Dusk to Dawn Barn Flood Light	40W 60W	40W (6,200lm) 60W (9,300lm)	TRI	3CCT Selectable: 30K / 40K / 50K	SLV BZ CS	Silver Bronze Custom	(Blank) BDD-JBX-SLV BDD-JBX-BZ BDD-L-POLE	None Silver J-Box Installation Cover Bronze J-Box Installation Cover Pole Installation Tenon Bracket	(Blank) 10YR	5 Year (incl.) 10 Year

*A 7 day lead time will be required for a custom finish

Specs and model numbers are subject to change with or without notice



Area Barn Dusk to Dawn Flood Lights

3CCT Selectable w/ Photocell

FEATURES

Photocell Included

Sensor turns light off and on when changing from dusk to dawn

Aluminium Housing

Robust die-cast aluminum housing includes corrosion resistant primer and powder coat finish

3CCT Selectable

Choose between 3 different color temps in one single fixture

**Selectable color temps:
3000K/4000K/5000K**

Instant Start

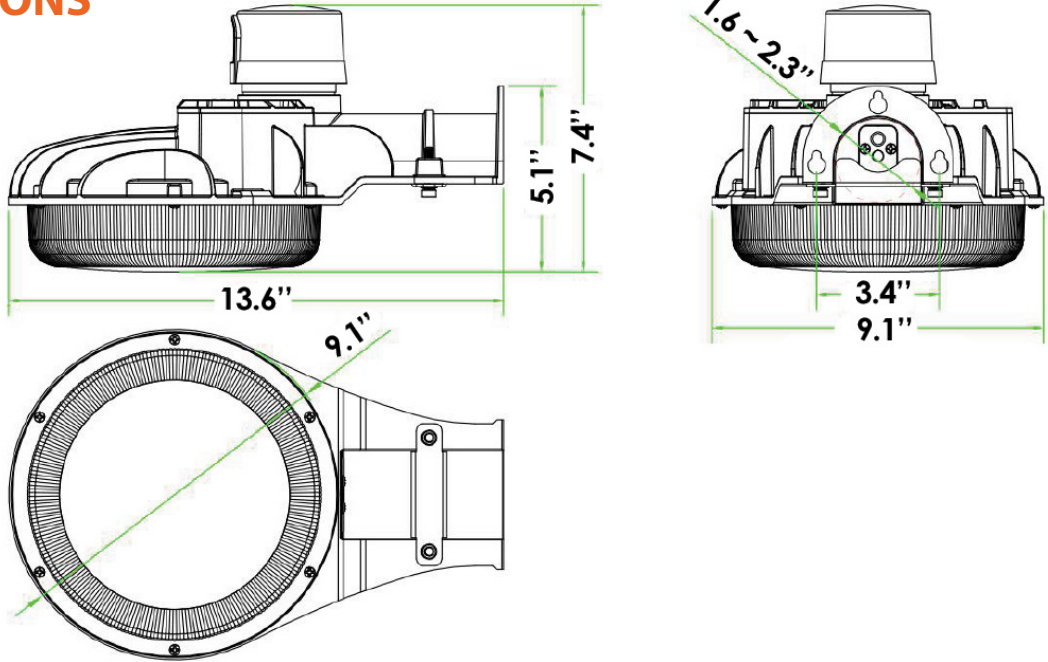
No flickering or humming. Light is soft and uniform while being easy on the eyes



Area Barn Dusk to Dawn Flood Lights

3CCT Selectable w/ Photocell

DIMENSIONS

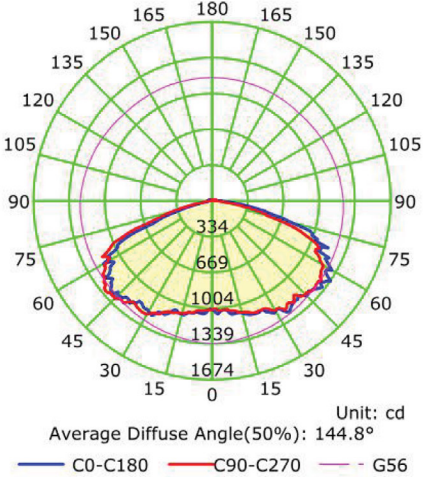


Mounting:

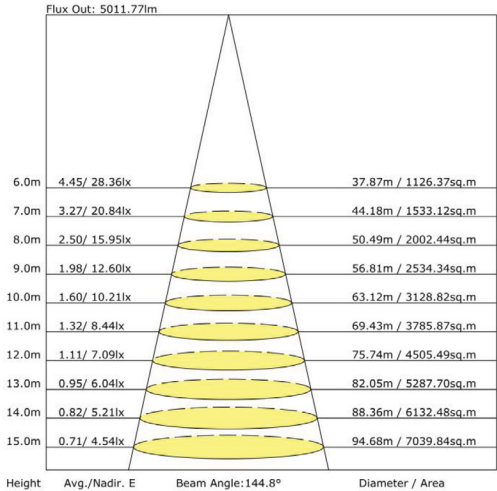
- Easy wall mount with optional J-Box cover
- Easy wall mount with optional tenon pole
- 3 Foot power cord with 0-10V wires

PHOTOMETRICS

Luminous Intensity Distribution Curve

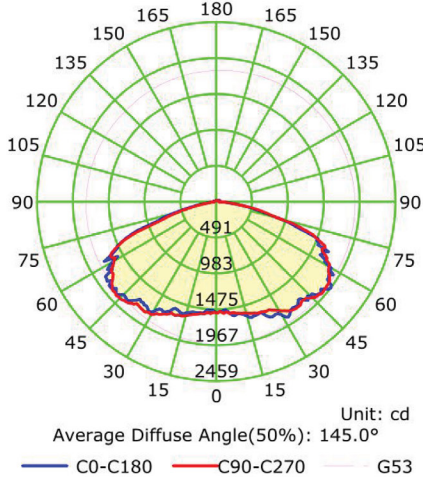


The Average Illuminance Effective Figure

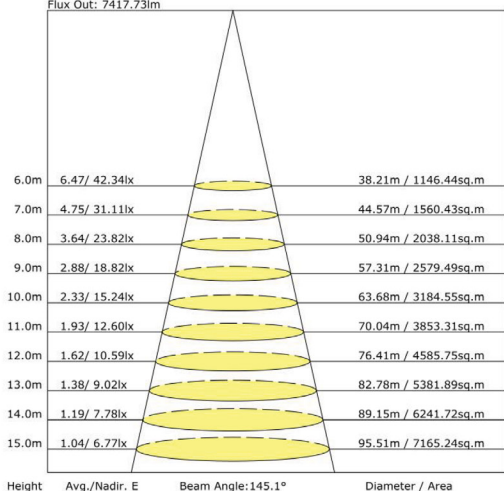


40W

Luminous Intensity Distribution Curve



The Average Illuminance Effective Figure



60W

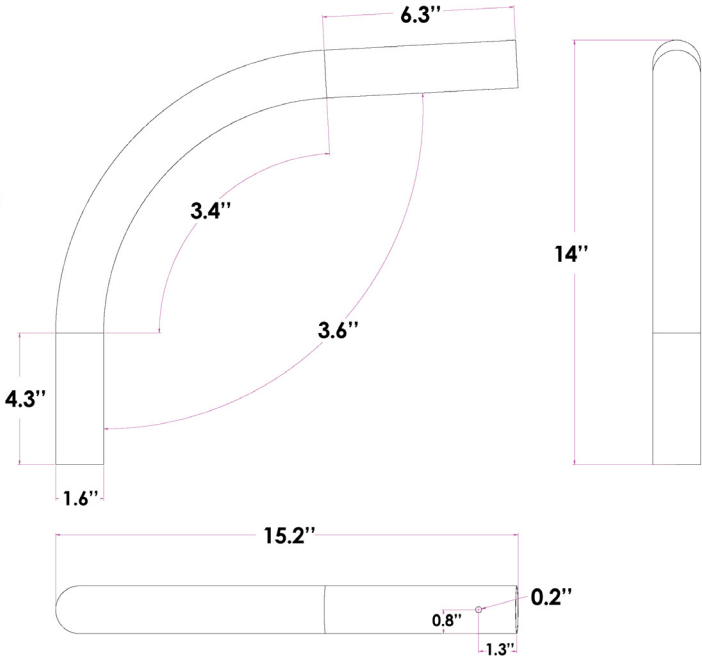
Area Barn Dusk to Dawn Flood Lights

3CCT Selectable w/ Photocell

ACCESSORIES



J-Box Installation Cover
Available in Silver and Bronze



Tenon Bracket Dimensions

Accessory Model	Accessory Description
BDD-JBX-SLV	Silver J-Box Installation Cover
BDD-JBX-BZ	Bronze J-Box Installation Cover
BDD-L-POLE	Pole Installation Tenon Bracket

