

Track & Live End Installation Instructions

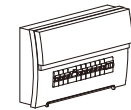
When installing or using this track product, basic safety precautions should always be followed, including the following:

1. Read all instructions
2. Do not cut any track sections.
3. For indoor use only. Do not install this track in damp or wet locations.
4. Do not install any part of a track system less than 5 feet above the floor.
5. Do not install any luminaire assembly closer than 6 inches from any curtain, or similar combustible material.
6. Turn off power before installation or before doing any maintenance work.
7. Do not exceed the nominal supply voltage or amperage ratings.
8. Do not attempt to energize anything other than lighting track luminaires on the track. To reduce the risk of fire and electric shock, do not attempt anything other than lighting track luminaires on the track. To reduce the risk of fire and electric shock, do not attempt to connect power tools, extension cords, appliances and the light to the track.
9. Do not connect a track to more than one branch circuit unless the track is constructed so that it can be used with more than one branch circuit. Check with qualified electrician. Although the track lighting system may seem to operate acceptably.
10. Wear rubber soled shoes and work on a sturdy wooded or non-conductive ladder.
11. Product must be mounted in location and at height in a manner consistent with its intended use and in compliance with National Electrical Code and local building codes.

Installation

WARNING

1. Switch off before installation.
2. Switch on only after complete installation and examination of the circuit.
3. Professional electrician for installation and maintenance only.

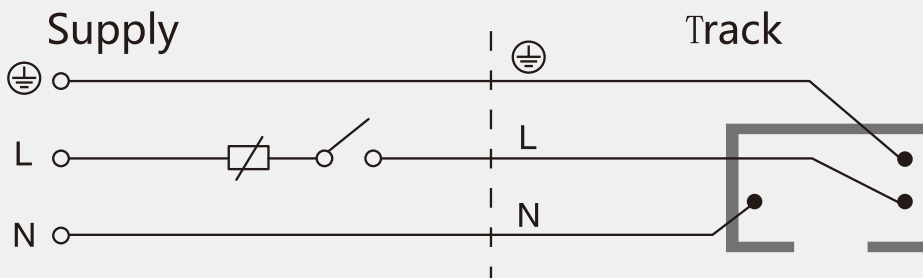


Turn Off
Power Supply

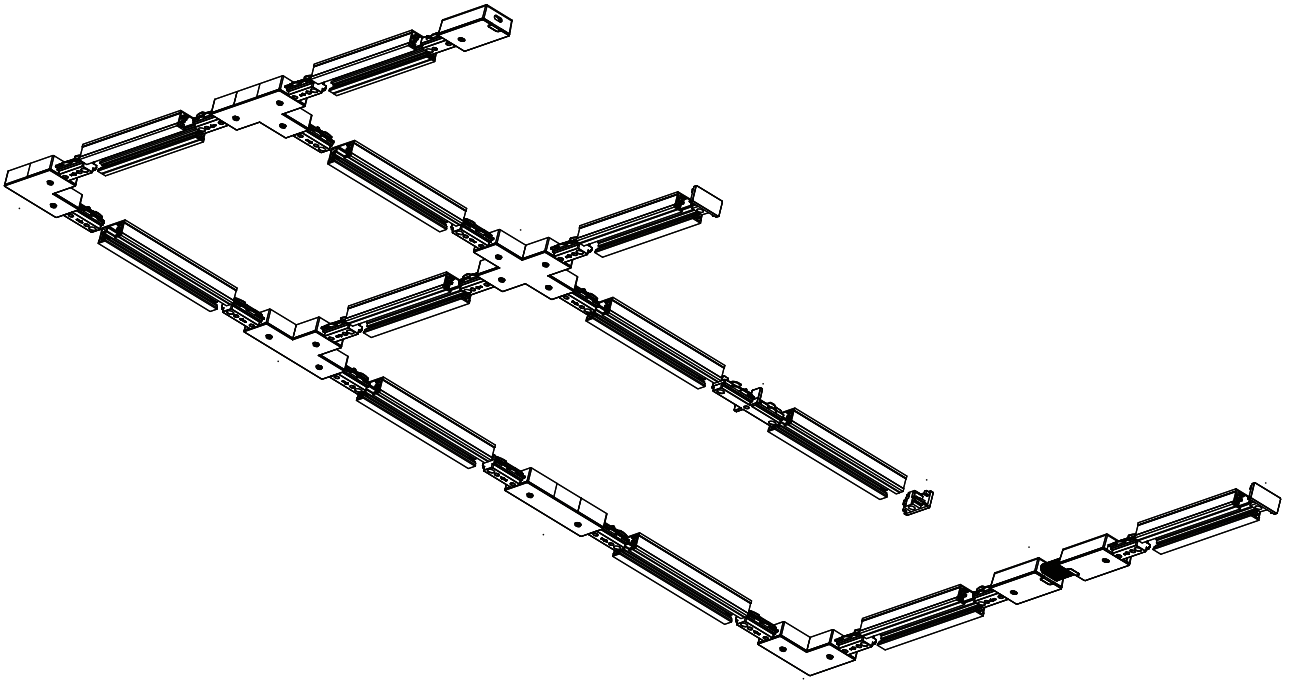


Wiring Diagram

3-wires, 1-circuit



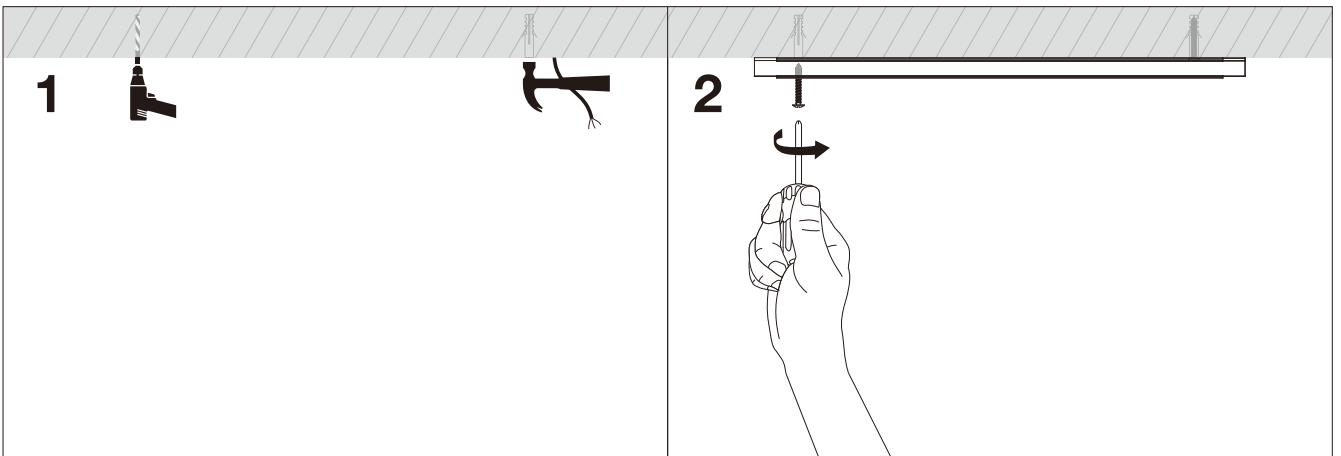
1-phase, 1-circuit, 120V AC, 20A, 3.7kVA



NOTE

Do not install in the place near heat source, or in corrosive gas environment.

Installation for Track





Read and understand these instructions completely before installing this fitting.

If you are unfamiliar with electrical wiring, have a qualified licensed electrician install this fitting for you. It is advisable to keep these instructions in a safe place for future reference. If these fittings are installed by a contractor, the contractor should ensure that the customer has a copy of these instructions.

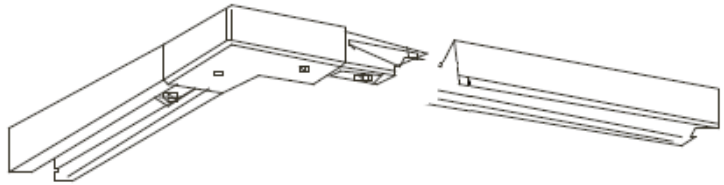
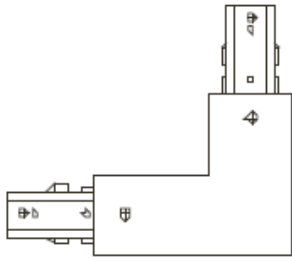
Shut off electrical power at the fuse or circuit breaker panel.

Important Note: Install the connector by inserting it into the track in a specific direction.

Usually make sure that the connector direction matches the tracks 3 wire contracts.

If it does not push in flip the connector, DO NOT FORCE IT IN.

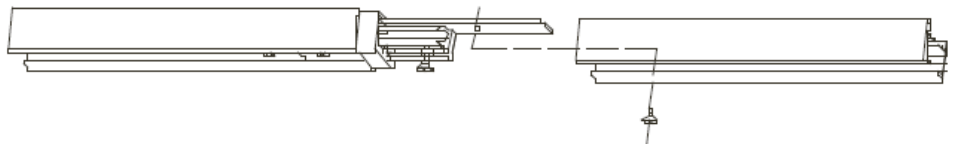
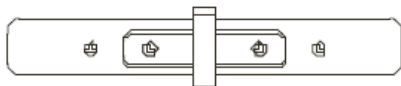
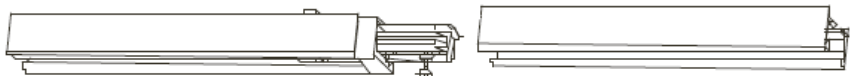
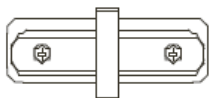
Installation for “L” Connector



- To connect two track sections into a “L” configuration
- Push track sections into a “L” connector
- Assemble the LIVE wire to “L” position
- Assemble the NEUTRAL wire to “N” connector

Installation for “I” Connector

For use with “H” Track Systems Only



Grounding Screw

- A low profile connector to cleanly and crisply join two straight track sections end to end.
- Remove the grounding screws
- Push track sections into a “L” connector
- Screw in the grounding and dimensions into the track sections

NOTE: Specifications and dimensions subject to change without notice.

Installation Instructions for Live End Connector

PREPARATIONS

- Read and understand these instructions completely before installing this fitting. If you are unfamiliar with electrical wiring, have a qualified licensed electrician install this fitting for you. It is advisable to keep these instructions in a safe place for future reference. If these fittings are installed by a contractor, the contractor should ensure that the customer has a copy of these instructions.
- Shut off electrical power at the fuse or circuit breaker panel.

1. Remove plastic and metal cover from junction box by losing cover screw as in figure 1.
2. Connect the black power cord with live terminal (L).
3. Connect the white power cord with neutral terminal (N).
4. Connect the yellow / green earth wire as in figure 2.

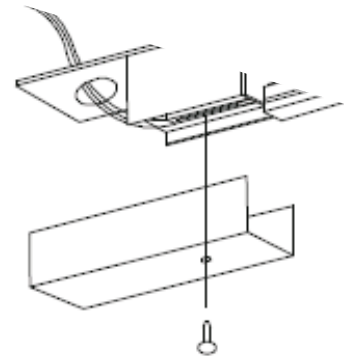


Fig. 1

Note: Since the conduit opening has a sharp edge, all the wiring connected to the feed should be through the conduit.

- 5) Replace plastic and metal covers. Connect the power feed with the track as in figure 3.
- 6) Connect live terminal "L" power cord to "L" connector.
- 7) Connect neutral terminal "N" power cord to "N" connector

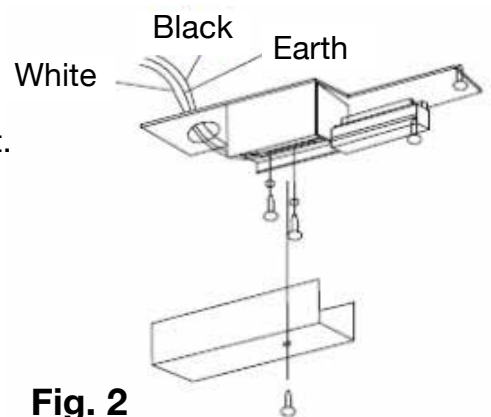


Fig. 2

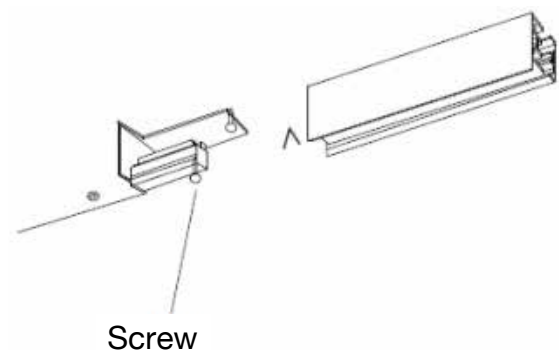


Fig. 3

Important Note: Install the connector by inserting it into the track in a specific direction. Usually make sure that the connector direction matches the tracks 3 wire contracts. If it does not push in flip the connector, DO NOT FORCE IT IN. Specification and dimmensions subject to change with notice.

Circuit Floating Canopy

INSTRUCTIONS:

1. Fasten mounting strap to outlet box. Connect ground wire.
2. Locate track below outlet box in desired position:
 - a- Rotate ground clip to accept track and push track into clip
 - b- Fasten track to ceiling following instructions supplied with the track section
 - c- Track ends must be terminated with either a dead end or a connector,
3. Insert electrical adapter into track, rotate 90° to locked position too make electrical contact.

NOTE:

- a- Polarity side of electrical adaptor (The side of grounding tab or marked "N") must point to track debossed polarity line.
 - b- Center line of electrical adaptor must be set on center line of outlet box.
4. Pull positive (Black) wire from outlet box and attach to brass screw terminal marked "P". Pull neutral (White) wire, on opposite of track, and attach to nickle-plated screw terminal marked "N". Push excess wire back into outlet box-wire must hug track side. Install cover and secure with screw.

