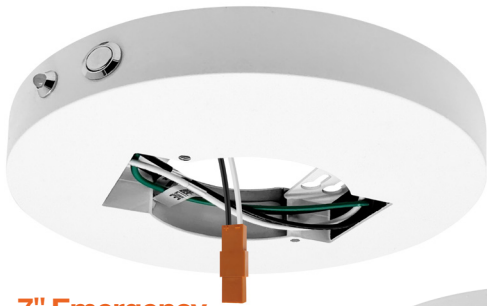
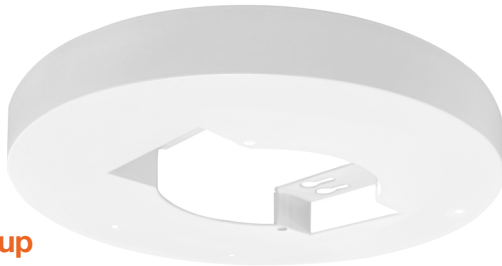


# 7" & 9" Trimless Surface Mounts

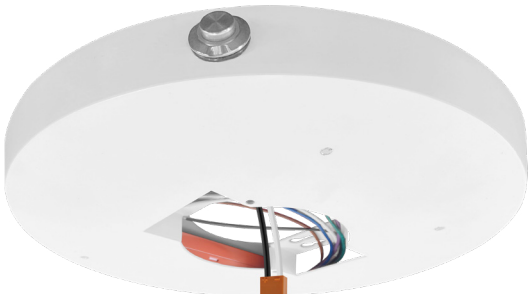
## Emergency Backup Modules



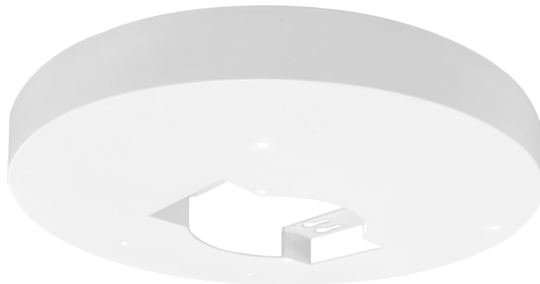
7" Emergency Backup



7" Empty Backup Module



9" Emergency Backup



9" Empty Backup Module

### Detail Specifications:

- Finishes: White
- IP Rating: Wet Location
- Full brightness backup power
- Lithium-ion battery
- 90 minute emergency mode
- Operating Temperature: -40° - 114° F
- Lens: Frosted Acrylic, non-yellowing
- Average life (L70) of 50,000 hours

### Applications:

- General Recessed Lighting
- Residential & Multifamily
- Office and Meeting Rooms
- Education, Healthcare, Retail, Hospitality

### Product Information:

- Available in 2 different sizes
- Empty module version available
- Standard white round trim included: optional trims available

### Driver Options:

- 120V Triac dimmable down to 5%
- THD: <20% (+/-5% tolerance), PF >0.9, 50/60Hz
- Flicker Free

### Mounting & Installation:

- 30/40 Junction Box (including pancake j-box)
- Surface mount bracket included
- 4" & 6" Recessed can converter available
- Compatible with correlating 7" & 9" fixture sizes

### Certifications:

- ETL Listed for USA and CA
- CA Title 24 JA8-2022 CEC Listed
- 5 Year Limited Warranty
- FCC CFR 47, GCC Part 15, Subpart B:2017
- IC Rated and ASTM-E283 Air-Tight
- Complies with UL 263, ASTM E119, CAN ULC S101

#### Series

**TSM-7R-EMB-UNV**

White Finish

**TSM-7R-EMB-UNV-EMPTY**

White Finish

**TSM-9R-EMB-UNV**

White Finish

**TSM-9R-EMB-UNV-EMPTY**

White Finish

#### Finish<sup>1</sup>

**(blank)**

White Finish

**Black**

Black Finish

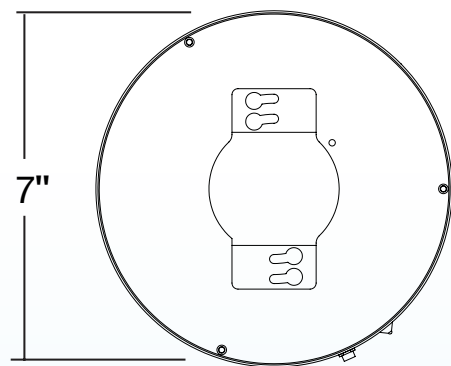
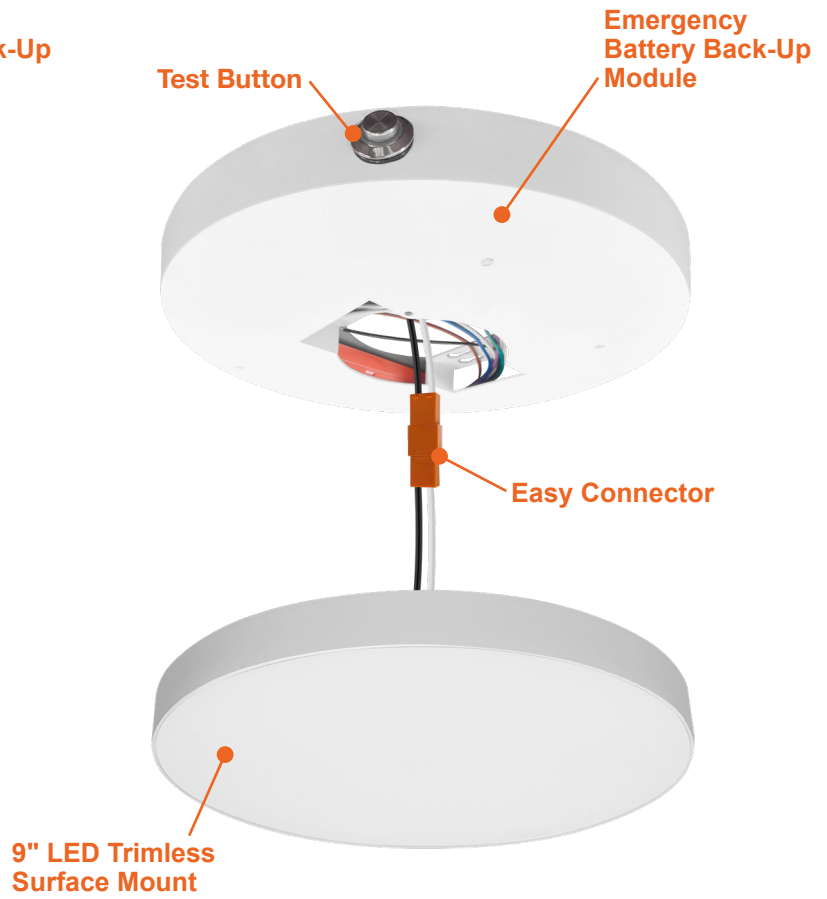
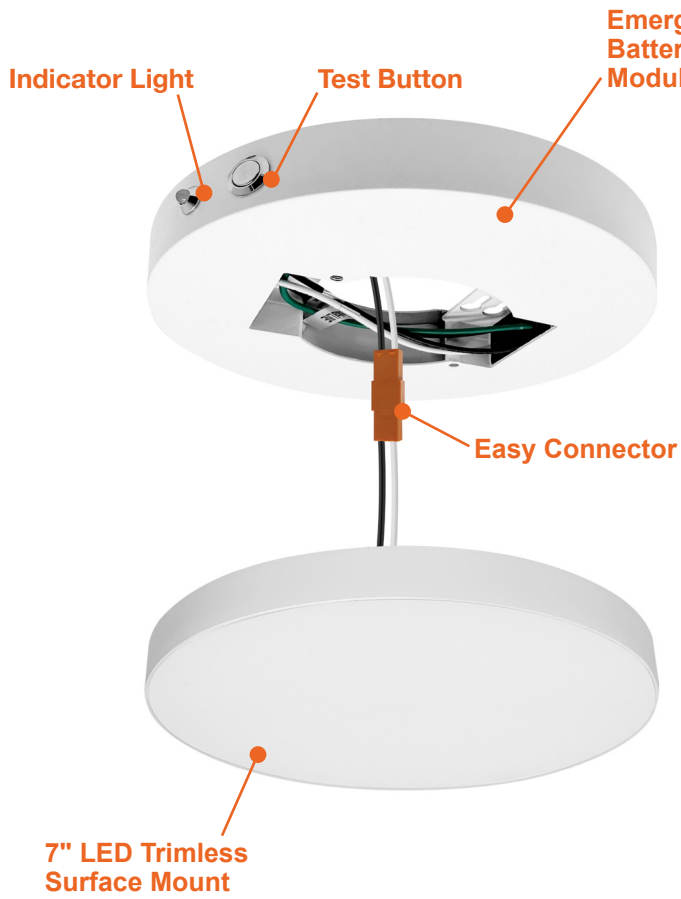
1. Standard quickship finish is white. Other colors are custom finishes.

Specs and model numbers are subject to change with or without notice.

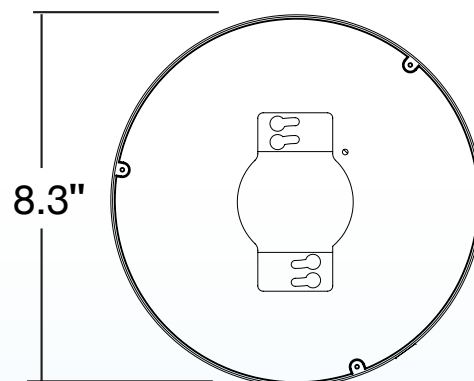
# 7" & 9" Trimless Surface Mounts

## Emergency Backup Modules

### FEATURES



7"



9"