

Project: \_\_\_\_\_ Part #: \_\_\_\_\_  
 Type: \_\_\_\_\_

Wall Packs



# Full-Line: Wall Pack

## Traditional Size



| WATT | LUMENS | BUG RATING |          |
|------|--------|------------|----------|
| 40   | 5,600  | 40W        | B1-U4-G4 |
| 60   | 8,400  | 60W        | B2-U4-G5 |
| 80   | 11,200 | 80W        | B2-U5-G5 |
| 120  | 16,800 | 120W       | B3-U5-G5 |

### Detail Specifications:

- Finish: Bronze, Custom finishes available
- IP Rating: Wet Location
- Impact Rating: IK08
- Beam Angle: Type IV
- Chip: SMD 2835, R9 >50, CRI >80
- Operating Temperature: -40° - 122° F
- Lens: Glass Lens
- Average life (L70) of 70,000 hours

### Applications:

- Walkways & Pathways
- Parking Lots
- Hospitality, Multi-Family
- Outdoor Corridors
- Residential, Commercial and Industrial

### Product Information:

- Sturdy die-cast aluminum housing finished with corrosion free powder coat
- Traditional metal-halide wall pack size
- Instant-On to full brightness

### Driver Options:

- UNV: 120-277V 0-10V Dimmable
- HV: 277-480V 0-10V Dimmable
- Built in 6Kv Surge Protector
- THD: <20% (+/-5% tolerance), PF >0.9, 50/60Hz

### Mounting & Installation:

- Five 1/2" knockouts: 1 one each side for convenient installation

### Certifications:

- UL Listed for USA and CA
- DLC Premium Listed
- ROHS Compliant
- Approved for CA T24
- 5 Year Limited Warranty
- FCC CFR 47, GCC Part 15, Subpart B:2017

| Series           | Wattage     | Color Temp | Finish <sup>1</sup>    | Photocell      | Voltage        | Sensor <sup>2</sup>  | Emergency      | Surge Protector |
|------------------|-------------|------------|------------------------|----------------|----------------|----------------------|----------------|-----------------|
| <b>LED-WPF -</b> |             |            |                        |                |                |                      |                |                 |
| Wall Pack:       | <b>40W</b>  | <b>40K</b> | <b>BZ</b>              | <b>(Blank)</b> | <b>(Blank)</b> | <b>(Blank)</b>       | <b>(Blank)</b> | <b>(Blank)</b>  |
| Full Line        | 5,600Lm     | 4000K      | Bronze                 | No Photocell   | 120-277V       | No Sensor            | No Emergency   | 6KV Built In    |
|                  | <b>60W</b>  | <b>50K</b> | <b>(Standard)</b>      | <b>PC</b>      | <b>HV</b>      | <b>BMS</b>           | <b>EMB</b>     | <b>20KV</b>     |
|                  | 8,400Lm     | 5000K      | <b>BL<sup>1</sup></b>  | Button         | 277-480V       | Bi-Level             | Emergency      | 20KV Surge      |
|                  | <b>80W</b>  |            | <b>WH<sup>1</sup></b>  | Photocell      |                | Motion +             | Backup         | Protector       |
|                  | 11,200Lm    |            | <b>WH<sup>1</sup></b>  |                |                | Daylight             |                |                 |
|                  | <b>120W</b> |            | <b>WH<sup>1</sup></b>  |                |                | Sensor               |                |                 |
|                  | 16,800Lm    |            | <b>WH<sup>1</sup></b>  |                |                | (HB01DMS-C)          |                |                 |
|                  |             |            | <b>GRY<sup>1</sup></b> |                |                | <b>BMS1</b>          |                |                 |
|                  |             |            | Gray                   |                |                | Bi-Level             |                |                 |
|                  |             |            | <b>CS<sup>1</sup></b>  |                |                | Motion +             |                |                 |
|                  |             |            | Custom                 |                |                | Daylight             |                |                 |
|                  |             |            | Color                  |                |                | Sensor (S-BMS-EXT-1) |                |                 |
|                  |             |            |                        |                |                | <b>BMS1BT</b>        |                |                 |
|                  |             |            |                        |                |                | Bi-Level Motion      |                |                 |
|                  |             |            |                        |                |                | + Daylight Sensor    |                |                 |
|                  |             |            |                        |                |                | -Bluetooth           |                |                 |
|                  |             |            |                        |                |                | Control-             |                |                 |
|                  |             |            |                        |                |                | (S-BMS-EXT-1-BT)     |                |                 |

1. Standard quickship is bronze. Other colors are custom finishes

2. Sensors require remote for programming

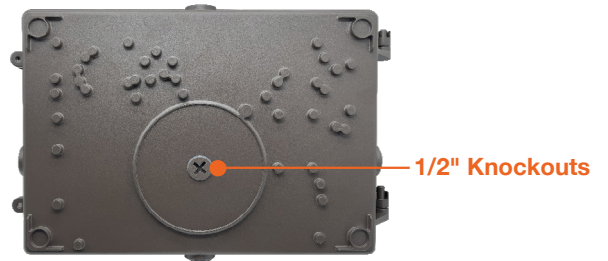
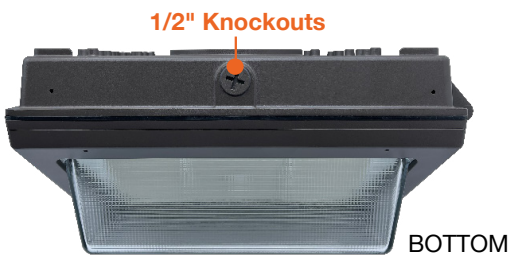
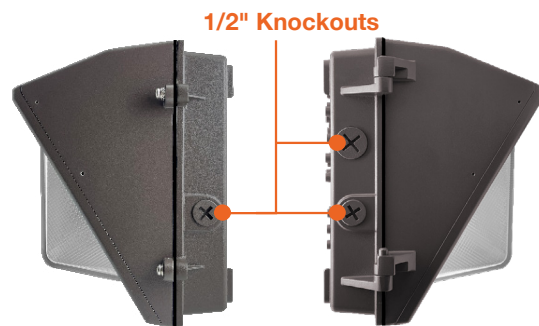
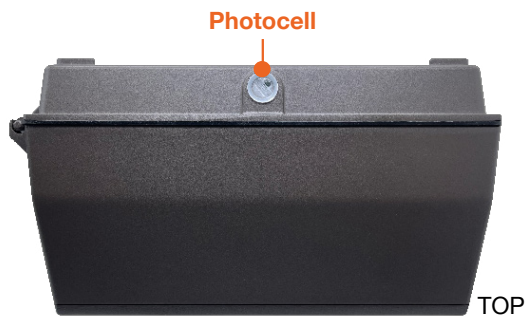
### Optional Accessories (Order Separately)

| Remote for Sensors | Wire Guard    | Shield            |
|--------------------|---------------|-------------------|
| <b>HB03R</b>       | <b>WPF-WG</b> | <b>WPF-SHIELD</b> |
| HB01DMS Remote     | Wire Guard    | Shield            |
| <b>S-LINE-R</b>    |               |                   |
| S-Line Remote      |               |                   |

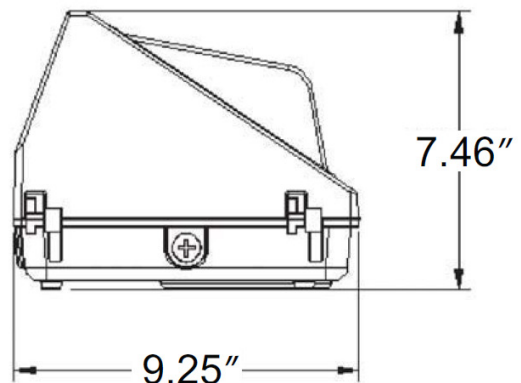
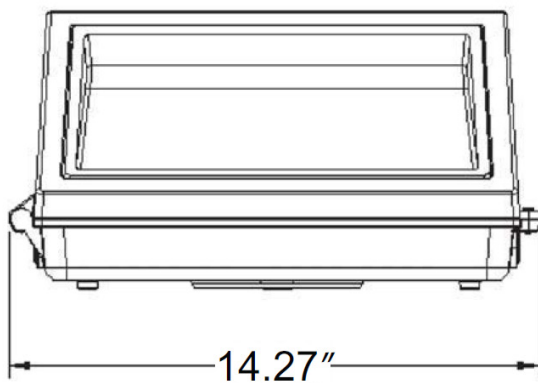
# Full-Line: Wall Pack

## Traditional Size

### FEATURES

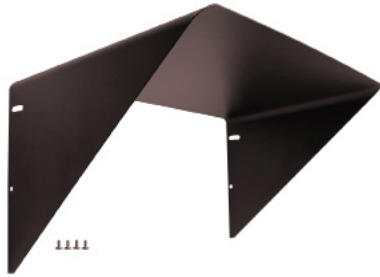


### DIMENSIONS

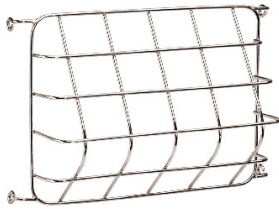


# Full-Line: Wall Pack

## Traditional Size



**WPF-SHIELD**



**WPF-WG**



**HB03R**



**S-LINE-R**



**HB01DMS-C**



**S-BMS-EXT-1**  
**S-BMS-EXT-1-BT**

### WALL PACK

| Model               | Voltage  | Watts | Lumens | Color | CRI |
|---------------------|----------|-------|--------|-------|-----|
| LED-WPF-40W-40K-BZ  | 120/277V | 40w   | 5,600  | 4000k | >80 |
| LED-WPF-40W-50K-BZ  | 120/277V | 40w   | 5,600  | 5000k | >80 |
| LED-WPF-60W-40K-BZ  | 120/277V | 60w   | 8,400  | 4000k | >80 |
| LED-WPF-60W-50K-BZ  | 120/277V | 60w   | 8,400  | 5000k | >80 |
| LED-WPF-80W-40K-BZ  | 120/277V | 80w   | 11,200 | 4000k | >80 |
| LED-WPF-80W-50K-BZ  | 120/277V | 80w   | 11,200 | 5000k | >80 |
| LED-WPF-120W-40K-BZ | 120/277V | 120w  | 16,800 | 4000k | >80 |
| LED-WPF-120W-50K-BZ | 120/277V | 120w  | 16,800 | 5000k | >80 |

### ACCESSORIES

| Accessory Model | Description                       |
|-----------------|-----------------------------------|
| WPF-SHIELD      | Cut Off Shield for WPF Wall Packs |
| WPF-WG          | Wire Guard for WPF Wall Packs     |

### SENSOR REMOTE CONTROL

| Accessory Model | Description                      |
|-----------------|----------------------------------|
| HB03R           | Remote for HB-Line Series        |
| S-LINE-R        | Remote for S-LINE Series Sensors |

### HB-LINE-SENSORS

| Model          | Item Description   | Voltage | Watts |
|----------------|--|---------|-------|
| HB01DMS-C      | Bi Level Motion Sensor w/ Daylight Harvesting 1/2" Knockout - Includes Auxillary   | 12V     | <1w   |
| S-BMS-EXT-1    | S-Line: Bi Level Motion Sensor w/ Daylight Harvesting, Ideal for use with LED WALLPACKS. 12V Aux REQD. (Remote Required) | 12V     | <1w   |
| S-BMS-EXT-1-BT | S-Line: Bi Level Motion Sensor w/ Daylight Harvesting, Ideal for use with Wallpacks. 12V Aux REQD. (Remote Required)     | 12V     | <1w   |