

# ARCY-Line: Full Cut Off Wall Packs

## 3-CCT + 3-Power Selectable

Wall Packs



Downlight Application



Uplight Application

WATT	LUMENS
30	4,000
50	6,250
60	7,800
65	8,000
80	10,000
100	12,000

### BUG CHART

	BUG
3P65: 30W	
3P65: 50W	
3P65: 65W	
3P100: 60W	B2-U0-G2
3P100: 80W	B2-U0-G2
3P100: 100W	B2-U0-G2

### Detail Specifications:

- Finish: Bronze, Custom finishes available
- IP Rating: Wet Location IP66
- Impact Rating: IK08
- 3-CCT Selectable: 30/40/50K
- Beam Angle: Type III standard, IV or V available
- Chip: SMD 2835, R9 >50, CRI >80
- BUG:
  - 3P65:
  - 3P100:
    - 100W: B2-U0-G2
- Operating Temperature: -40° - 122° F
- Lens: Clear acrylic with optics
- Average life (L70) of 70,000 hours

### Applications:

- Walkways & Pathways
- Parking Lots
- Hospitality, Multi-Family
- Outdoor Corridors
- Up or Down lighting
- Residential, Commercial and Industrial

### Product Information:

- Sturdy die-cast aluminum housing finished with corrosion free powder coat
- Full Cut-Off Dark Sky Compliant when faced down
- -10° down to 20° up tilt adjustable design
- Fixture can be mounted faced up or down
- Photocell is included with an easy disconnect switch
- Instant-On to full brightness
- Select-n-Switch Technology: 3-CCT + 3-Power Selectable
- Control Options:
  - Standard Sensors
  - SILVAIR Bluetooth Mesh
  - ENVISIONLS Bluetooth
  - [Click Here](#) for More Information

### Driver Options:

- UNV: 120-347V 0-10V Dimmable (Dim to off)
- Built in 6Kv Surge Protector
- THD: <20% (+/-5% tolerance), PF >0.9, 50/60Hz

### Mounting & Installation:

- Mounts to junction box
- Conduit wall mount bracket available

### Certifications:

- ETL Listed for USA and CA
- DLC Premium Listed
  - 3P65: S-WZJW3P
  - 3P100: S-74JL70
- ROHS Compliant
- Approved for CA T24
- 5 Year Limited Warranty
- FCC CFR 47, GCC Part 15, Subpart B:2017

Series	Finish <sup>1</sup>	Photocell	Voltage	Optic	Sensor <sup>2</sup>	Emergency	Surge Protector
<b>LED-WPFC-ARC-3P65-TRI</b> 30/50/65W	<b>BZ</b> Bronze (Standard)	Photocell is included.	<b>(Blank)</b> 120-347V	<b>(Blank)</b> Type III	<b>(Blank)</b> No Sensor	<b>(Blank)</b> No	<b>(Blank)</b> 6KV
<b>LED-WPFC-ARC-3P100-TRI</b> 60/80/100W	<b>BL</b> Black	On/Off switch on fixture.	<b>HV</b> 277-480V	<b>T4</b> Type IV	<b>BMS</b> Bi-Level Motion + Daylight Sensor	<b>EMB</b> Emergency	<b>20KV</b> 20KV
	<b>WH</b> White			<b>T5</b> Type V	<b>(S-BMS-EXT-1)</b>	<b>BackUp</b>	<b>Surge Protector</b>
	<b>GRY<sup>1</sup></b> Gray				<b>BMS-BT</b> PIR ENVISIONLS Bluetooth Control		
	<b>CS<sup>1</sup></b> Custom Color				<b>BMS-SL</b> PIR SILVAIR Bluetooth Mesh		

1. Standard quickship is bronze, black & white. Other colors are custom finishes

2. Sensors require remote for programming

### Optional Accessories (Order Separately)

Wall Mount Bracket (For Conduit Runs)	Remote for Sensors	Optic Lens
<b>WPFC-ARC-JBOX-BZ</b> Bronze	<b>S-LINE-R</b> S-Line Remote	<b>WPFC-ARC-S-T-IV</b> Type IV Optic 3P65 Model
<b>WPFC-ARC-JBOX-BL</b> Black		<b>WPFC-ARC-S-T-V</b> Type V Optic 3P65 Model
<b>WPFC-ARC-JBOX-WH</b> White		<b>WPFC-ARC-M-T-IV</b> Type IV Optic 3P100 Model
		<b>WPFC-ARC-M-T-V</b> Type V Optic 3P90 Model

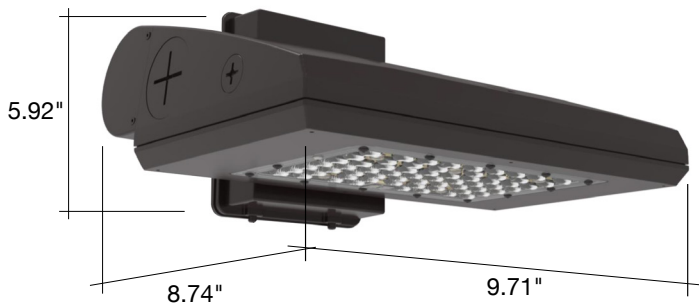
# Full Cut Off Wall Packs: ARCY-Line

## 3-CCT + 3-Power Selectable

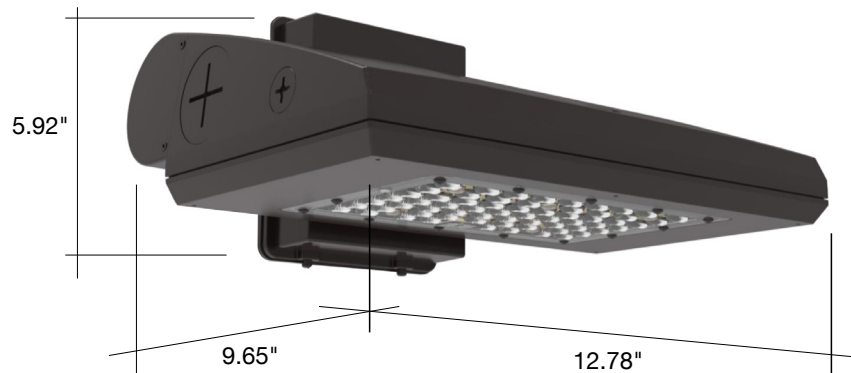


### DIMENSIONS

#### 3P65



#### 3P100



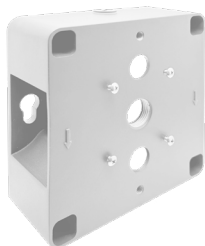
# Full Cut Off Wall Packs: ARCY-Line

## 3-CCT + 3-Power Selectable



**-JBOX-BZ**

**-JBOX-BL**



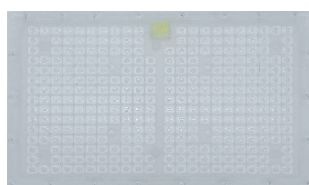
**-JBOX-WH**



**BI-LEVEL MOTION**



**S-LINE-R**



**TV  
TIV**

Model	Voltage	Watts	Lumens	Color	CRI
LED-WPFC-ARC-3P65-TRI-BZ	120-347V	30/50/60w	145 lm/w	30/40/50k	>80
LED-WPFC-ARC-3P100-TRI-BZ	120-347V	60/80/100w	145 lm/w	30/40/50k	>80
LED-WPFC-ARC-3P65-TRI-BL	120-347V	30/50/60w	145 lm/w	30/40/50k	>80
LED-WPFC-ARC-3P100-TRI-BL	120-347V	60/80/100w	145 lm/w	30/40/50k	>80
LED-WPFC-ARC-3P65-TRI-WH	120-347V	30/50/60w	145 lm/w	30/40/50k	>80
LED-WPFC-ARC-3P100-TRI-WH	120-347V	60/80/100w	145 lm/w	30/40/50k	>80

## SENSORS

Model	Item Description	Voltage	Watts
S-BMS-EXT-1	S-Line: Bi Level Motion Sensor w/ Daylight Harvesting, Ideal for use with LED WALLPACKS. 12V Aux REQD. (Remote Required)	12V	<1w
S-BMS-EXT-1-BT	S-Line: Bi Level Motion Sensor w/ Daylight Harvesting, Ideal for use with Wallpacks. 12V Aux REQD. (Remote Required)	12V	<1w

## WALL MOUNT BRACKET

Accessory Model	Description
WPFC-ARC-JBOX-BZ	WPFC-ARC : Wall Mount Bracket for conduit runs
WPFC-ARC-JBOX-BL	WPFC-ARC : Wall Mount Bracket for conduit runs
WPFC-ARC-JBOX-WH	WPFC-ARC : Wall Mount Bracket for conduit runs

## SENSORS

Pre-Installed Accessory Model	Description
Add '-EMB' to model #	Emergency backup (internal 8W)
Add '-BMS' to model #	S-BMS-EXT-1: Bi level motion + daylight sensor
Add '-BMS-BT' to model #	S-BMS-EXT-1-BT: Bi level motion + daylight sensor W/ bluetooth control (EnvisioNLS App)
Add: -BMS-SIL to Model #	SILVAIR Enable Bluetooth Control: PIR/Daylight/Zoning/Monitoring
Add: 20KV to model#	SG-20KV-UNV: 20KV surge protector
Add: -T4 to Model #	Factory installed type IV
Add: -T5 to Model #	Factory installed type V

## REMOTE

Accessory Model	Description
S-LINE-R	Remote for S-LINE Series Sensors

## OPTIC LENS

Accessory Model	Description
WPFC-ARC-S-T-IV	Type IV Optic 3P65 Model
WPFC-ARC-S-T-V	Type V Optic 3P65 Model
WPFC-ARC-M-T-IV	Type IV Optic 3P100 Model
WPFC-ARC-M-T-V	Type V Optic 3P90 Model









## TESTED COMPATIBLE DIMMERS

Compatible 0-10V Dimmer List

Lithonia	Cooper	Lutron	Leviton
ISC BC 120/277 WH	SF10P-W	DVSTV-WH	IP710-DLZ

# Control Options

EnVision LED offers 3 control systems compatible with our LED Fixtures for projects of all sizes and budgets.

	Basic Controls	EnVisionLS 	EnVisionLED.x SILVAIR 
<b>Description</b>	Standard Plug In Sensors	Basic Bluetooth Wireless Control	Advanced Bluetooth Wireless Control
<b>Recommended Quantity</b> (but not limited to)	N/A	>40-50 Nodes	>50 Nodes
<b>Maximum Zone Quantity</b>	N/A	100	3,000
<b>Commissioning Tool</b>	Remote Only	  ENVISIONLS App 	  SILVAIR App 
<b>Commissioning Process</b>	Individually Set via Remote	Wireless Must be done on site	Wireless- Initial linking must be done on site. Commissioning can be done via desktop remotely.
<b>Floor Plan Upload</b>	N/A	N/A	Yes Add a floor plan and mark luminaires & zones via desktop
<b>Gateway</b>	N/A	N/A	Required only for energy monitoring, advanced scheduling, automated demand response.
<b>Individual Luminaire Control</b>	Yes	Yes	Yes
<b>Luminaire Grouping Zoning</b>	N/A	Yes	Yes
<b>High End Power Low End Power</b>	Yes but limited (View Remote)	Yes	Yes
<b>Cost</b>	\$	\$\$	\$\$\$
<b>DLC NLC Listed</b>	N/A	Yes	Yes
<b>Energy Monitoring &amp; Data Reporting</b>	N/A	N/A	Monitor energy usage per individual zone & retrofit cost savings calculation + detailed reporting



# Compatible Products:

EnVision offers a variety of nodes, sensors, & gateways that are controlled via remote, ENVISIONLS Bluetooth Mesh & SILVAIR Bluetooth Mesh on all of our 0-10V dimmable fixtures.



## Individual Fixture Controls: PIR Sensor, Bi-Level Dimming, Daylight

Basic Note: **-1** • ENVISIONLS Models Note: **-BT** • SILVAIR Models Note: **-SL**

	MODEL #	DESIGN	RECOMMENDED FIXTURE	FEATURES
	<b>S-TWC-PIR-1</b> <b>S-TWC-PIR-BT</b> <b>S-TWC-PIR-SL</b>	Twist-C Control Sensor	Sensor Ready Fixtures: Area Lights, Canopies, Flood Lights, High Bays	All models are equipped with PIR occupancy sensing, high & low end bi-level dimming, & daylight sensing.
	<b>S-TWC-90 + S-TWC-PIR-1</b> <b>S-TWC-90 + S-TWC-PIR-BT</b> <b>S-TWC-90 + S-TWC-PIR-SL</b>	Twist-C Control Sensor + 90 Degree Arm	Cylinders, Strips, Wall Packs	
	<b>S-AUD-PIR-1</b> <b>S-AUD-PIR-BT</b> <b>S-AUD-PIR-SL</b>	2.5m Audio Jack	Panels & Troffers	
	<b>S-SN-PIR-1</b> <b>S-SN-PIR-BT</b> <b>S-SN-PIR-SL</b>	Snap In Sensor	Troffers & Wraps	

## Group Controls ENVISIONLS Models Note : **-BT** • SILVAIR Models Note: **-SL**

	MODEL #	DESIGN	VOLTAGE	FEATURES	RECOMMENDED FEATURES
	<b>S-CM-PIR-LV-BT</b> <b>S-CM-PIR-LV-SL</b>	Ceiling Mounted PIR Sensor	12-24V	PIR Sensor, Bi-Level Dimming, Daylight, 360° detection, 12' Max Mounting Height	Connects to 0-10V dimmable fixtures
	<b>S-WM-PIR-CUNV-BT</b> <b>S-WM-PIR-CUNV-SL</b>	Wall Mounted PIR Occupancy Sensor, Bi-Level Dimming, Daylight	120-277V	On/Off PIR occupancy sensor, 180° detection, 30' detection @ 4' Mounting Height	Connects to LED fixtures
	<b>S-WS-120V-USB-SL</b>		120V	Dimming Wall Socket, Two Sockets	Floor Lamps, Other Lamps

## Gateway (Silvair Only) 4.5–5.5 V DC, 2A Power over Ethernet 36–57 V DC

	MODEL #	DESIGN	VOLTAGE	FEATURES	RECOMMENDED FEATURES
	<b>SGW-102</b>	Wall or Ceiling Mounted	POE	Advanced Energy Monitoring Control	Connects to Silvair Controls. Gateway is not required.